

# Status Report of the Informal Working Group on Safer Transport of Children in Buses and Coaches (IWG-STCBC)

---

CHAIR: MARTA ANGLÈS , SPAIN

SECRETARY: COSTANDINOS VISVIKIS, CLEPA

# Informal Working Group

---

## Last meeting

⊕ 12<sup>th</sup> IWG-STCBC meeting

Date: 4<sup>th</sup> October 2022

Location: Online meeting

## Next meeting

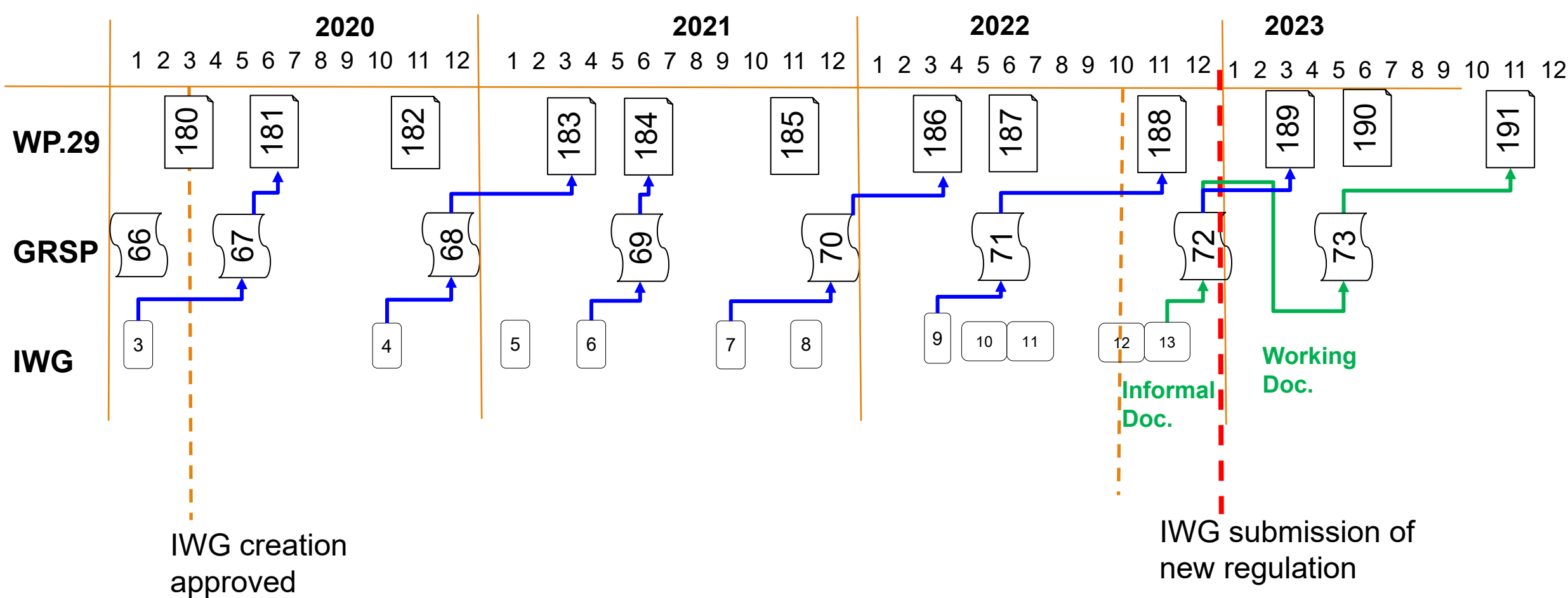
⊕ 13<sup>th</sup> IWG-STCBC meeting

Date: 22<sup>nd</sup> November 2022

Location: Online meeting

# Timeline

## Plan and Schedule



# Summary of the new UN Regulation

Summary	
Time line	GRSP- December 2022 WP.29 - 2023
Objective	No ejection of the children. Good retention in the seat
Phase 1	a: CRS approved according to R-129 with 3-point belt and or ISOFIX b: Built in systems
Phase 2	CRS in combination with 2-point belts

# Drafting the UN Regulation

---

- ⊕ Informal document can be seen in the following link:

<https://wiki.unece.org/pages/viewpage.action?pageId=87622046>

# Next Steps

---

- ⊕ Working document to be submitted to the May GRSP session 2023.

Thank you for your attention!

---