

**Economic and Social Council**Distr.: General
17 February 2022

Original: English

Economic Commission for Europe

Inland Transport Committee

World Forum for Harmonization of Vehicle Regulations**Working Party on Passive Safety Provisions****Seventy-first session**

Geneva, 9–13 May 2022

Item 10 of the provisional agenda

UN Regulation No. 129 (Enhanced Child Restraint Systems)**Proposal for Supplement 8 to the 02 series of amendments****Submitted by the expert from the European Association of Automotive Suppliers***

The text reproduced below was prepared by the expert from the European Association of Automotive Suppliers (CLEPA) to amend UN Regulation No.129 to correct previous editing mistakes. The modifications to the current text of the UN Regulation are marked in bold for new or strikethrough for deleted characters.

* In accordance with the programme of work of the Inland Transport Committee for 2022 as outlined in proposed programme budget for 2022 (A/76/6 (part V, sect. 20), para. 20.76), the World Forum will develop, harmonize and update UN Regulations in order to enhance the performance of vehicles. The present document is submitted in conformity with that mandate.



I. Proposal

Paragraph 6.7.2.7., amend to read:

"6.7.2.7. An adjuster mounted directly on the **Enhanced** Child Restraint System shall be capable of withstanding repeated operation and shall, before the dynamic test prescribed in paragraph 7.1.3. undergo a test comprising 5000 ± 5 cycles as specified in paragraph 7.2.6.1.

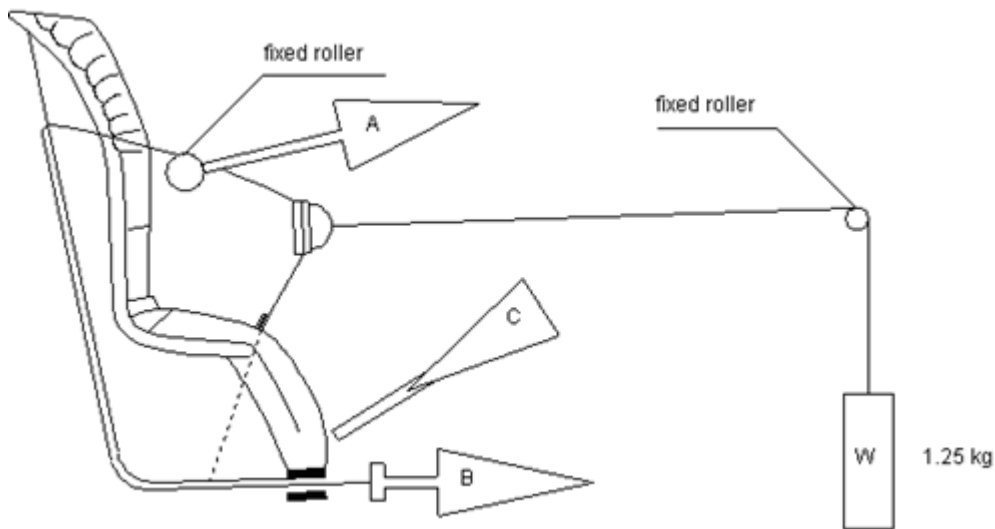
An adjuster mounted on a strap shall be capable of withstanding repeated operation and shall, before the dynamic test prescribed in paragraph 7.1.3. undergo a test comprising $5,000 \pm 5$ cycles **as specified in paragraph 7.2.6.2.** ~~that applies the principles of the test specified in paragraph 7.2.3. This test shall be defined by the Technical Service in consultation with the manufacturer."~~

Annex 15, amend to read:

"Annex 15

Description of Conditioning for Adjusters ~~connected to a strap~~

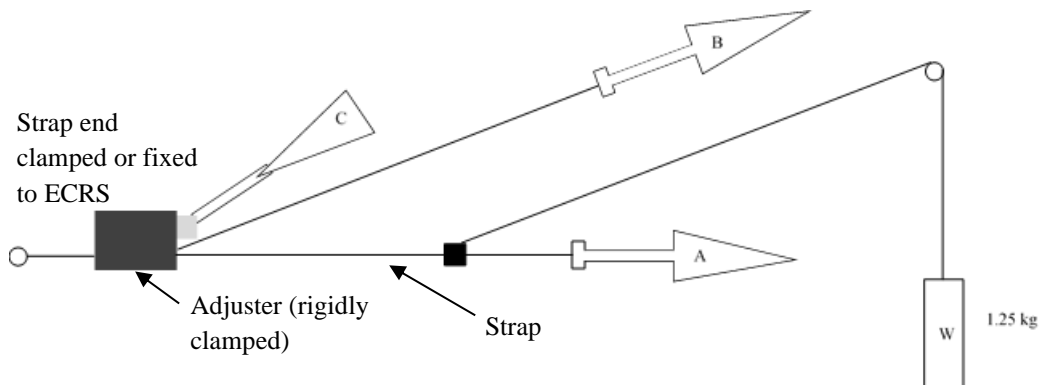
Figure 1
Conditioning for adjusters mounted directly on Enhanced Child Restraint Systems



1. **Conditioning for adjusters mounted directly on Enhanced Child Restraint Systems (Figure 1)**
 - 1.1. **Method**
 - 1.1.1. **With the webbing set at the reference position described in paragraph 7.2.6.1., withdraw at least 50 mm of webbing from the integral harness by pulling on the free end of the webbing.**
 - 1.1.2. **Attach the adjusted part of the integral harness to the pulling device A.**
 - 1.1.3. **Activate the adjuster and pull at least 150 mm of webbing into the integral harness. This represents half of one cycle and puts pulling device A to the maximum webbing extraction position.**
 - 1.1.4. **Connect free end of webbing to pulling device B.**
 - 1.2. **The procedure of the cycle is:**

- 1.2.1. Pull B at least 150 mm while A exerts no tension on the integral harness.
- 1.2.2. Activate the adjusters and pull A while B exerts no tension on the free end of the webbing.
- 1.2.3. At the end of stroke, de-activate the adjuster.
- 1.2.4. Repeat cycle as specified in paragraph 6.7.2.7. of this Regulation.

Figure 2
Conditioning for adjusters connected to a strap (not directly mounted on Enhanced Child Restraint Systems)



2. **Conditioning for adjusters connected to a strap (not directly mounted on Enhanced Child Restraint Systems) (Figure 2)**
 - 2.1. Method
 - 2.1.1. Rigidly clamp the adjuster
 - 2.1.2. With the strap set at the reference position described in paragraph 7.2.6.2., withdraw at least 50 mm of strap from the adjuster by pulling on the free end of the strap.
 - 2.1.3. Attach the adjuster part of the strap to the pulling device A.
 - 2.1.4. Activate the adjuster (C) and pull at least 150 mm of strap through the adjuster. This represents half of one cycle and puts pulling device A to the maximum strap extraction position.
 - 2.1.5. Connect the free end of the strap to pulling device B.
 - 2.2. The cycle is:
 - 2.2.1. Pull B at least 150 mm while A does not exert tension on the strap.
 - 2.2.2. Activate the adjuster (C) and pull A while B does not exert tension on the free end of the strap.
 - 2.2.3. At the end of the stroke, de-activate the adjuster.
 - 2.2.4. Repeat the cycle as specified in paragraph 6.7.2.7. of this Regulation."

II. Justification

The amendments to paragraph 6.7.2.7. and to Annex 15 correct editing mistakes that were introduced by proposals adopted at the sixty-first session of the Working Party on Passive Safety (GRSP) and subsequently entered into force in the 01 and 02 series of amendments to UN Regulation No. 129. The amendment to paragraph 6.7.2.7. introduces changes agreed at the above-mentioned session of GRSP that were implemented in the 01 series of amendments but erroneously omitted from the 02 series (and subsequently to the 03 series). The amendment to Annex 15 reinstates a figure and procedure for testing adjusters

mounted directly on the Enhanced Child Restraint System, which was mistakenly overwritten, instead of added to, by a figure and procedure for testing adjusters connected to a strap.
