

Status Report of the Informal Working Group on Safer Transport of Children in Buses and Coaches (IWG-STCBC)

69th GRSP Session
17 – 21 May 2021

CHAIR: MARTA ANGLÈS , SPAIN

SECRETARY: FARID BENDJELLAL, CLEPA

Informal Working Group

⊕ 1st IWG-STCBC meeting

Date: 9th July 2019

Location: Ministerio de Industria, Comercio y Turismo ,
Madrid, Spain

⊕ 2nd IWG-STCBC meeting

Date: 30th October 2019

Location: Applus IDIADA, Tarragona, Spain

⊕ 3rd IWG-STCBC meeting

Date: 16th-17th January 2020

Location: Clepa Offices, Brussels

⊕ 4th IWG-STCBC meeting

Date: 29th Octubre 2020

Location: Online meeting

⊕ 5th IWG-STCBC meeting

Date: 28th January 2021

Location: Online meeting

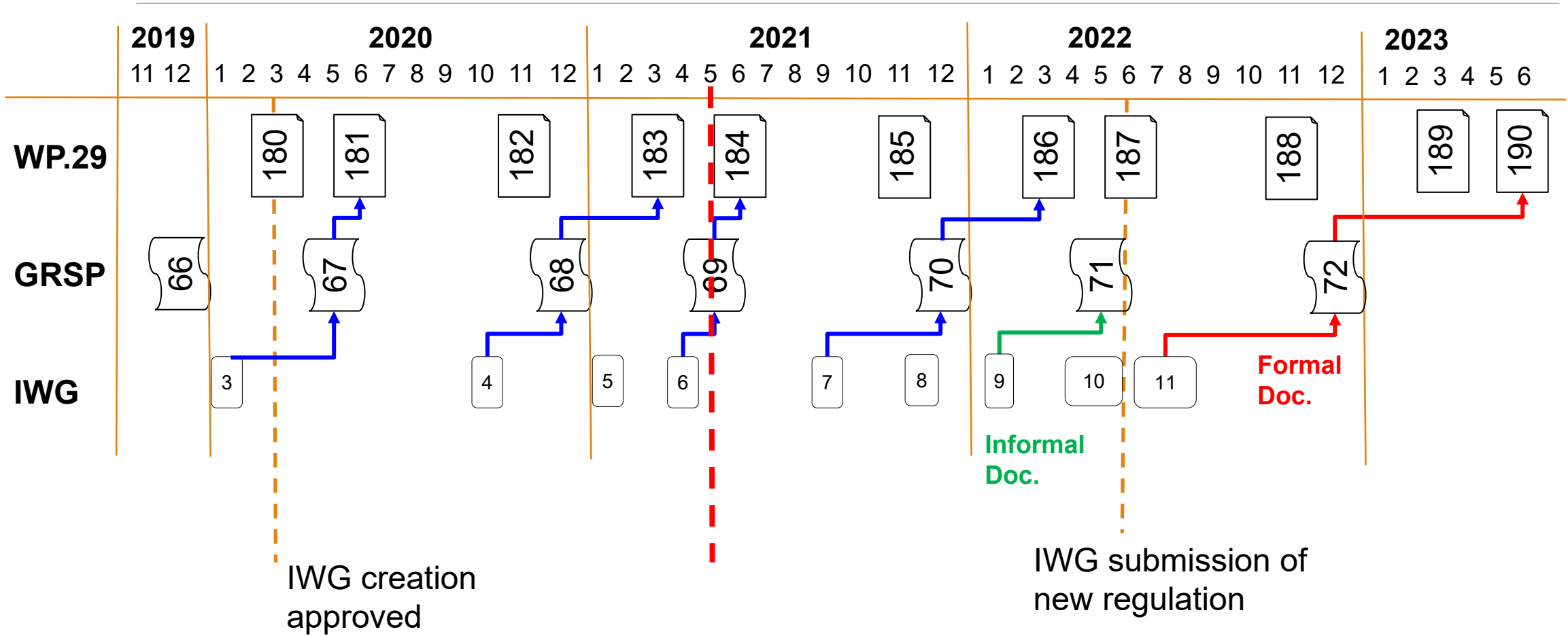
⊕ 6th IWG-STCBC meeting

Date: 22nd April 2021

Location: Online meeting

Timeline

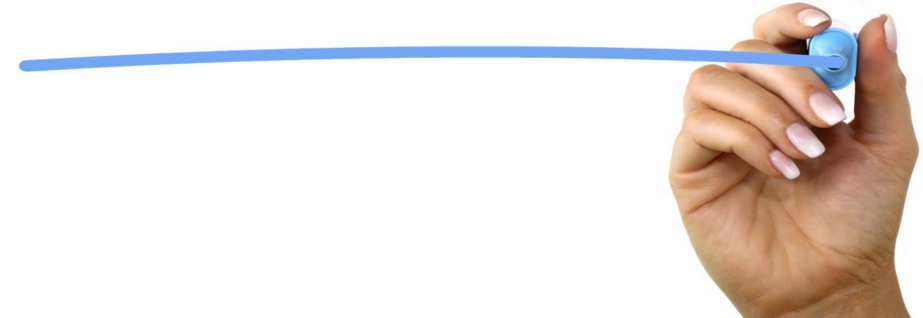
Plan and Schedule



Key elements

- ⊕ Test configurations: Frontal impact and rollover
- ⊕ Retention system: 2-point belt and 3-point belts
- ⊕ Consideration of the CRS (if needed): R-129 approved CRS
- ⊕ Test method
- ⊕ Compatibility of R-16 fixtures

UNDER
CONSTRUCTION



On going tasks

- ⊕ Market overview of seat belt installation
- ⊕ Market overview on children using Bus/Coach
- ⊕ Possibility to install CRS in the Bus/Coach
- ⊕ Analysis of the test pulse to be used for frontal impact
- ⊕ Testing phase

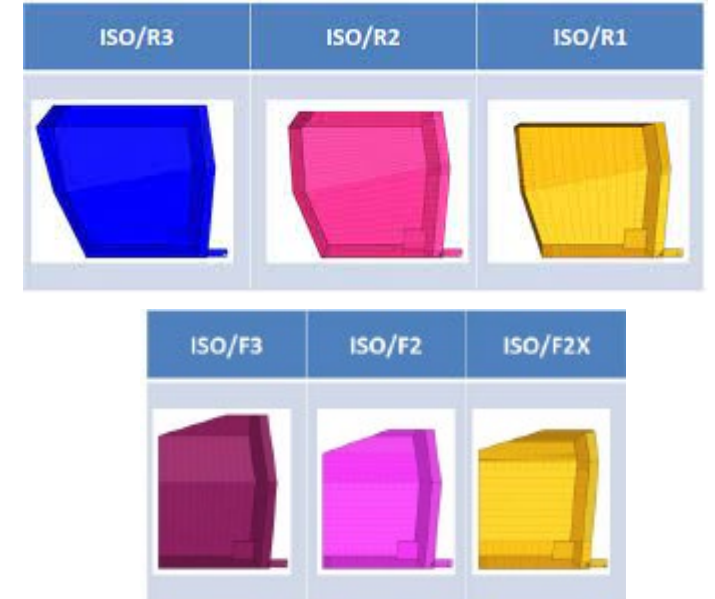


ISO Envelopes compatibility

- ⊕ CAD study was performed by OICA using the UN R-16 envelopes

The study showed some incompatibilities which mean loosing 1 seat row when 1 seat row is dedicated to install CRS.

- ⊕ Physical installation of different size of CRS to be performed in a Bus/Coach to verify the compatibility/incompatibility



Test pulse

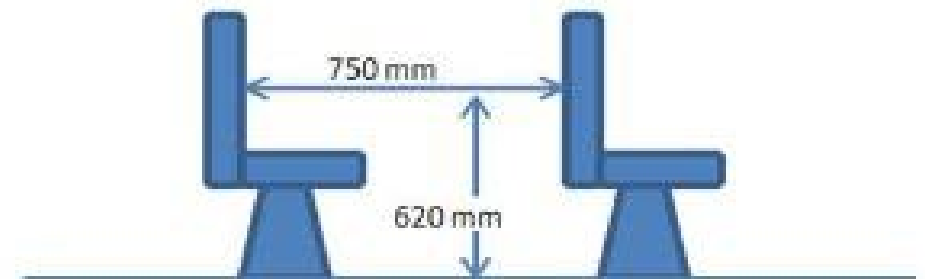
- ⊕ Technical study to review the appropriateness of crash pulses used in current EU legislation

The group will review the test pulse proposed according to the European Commission study.

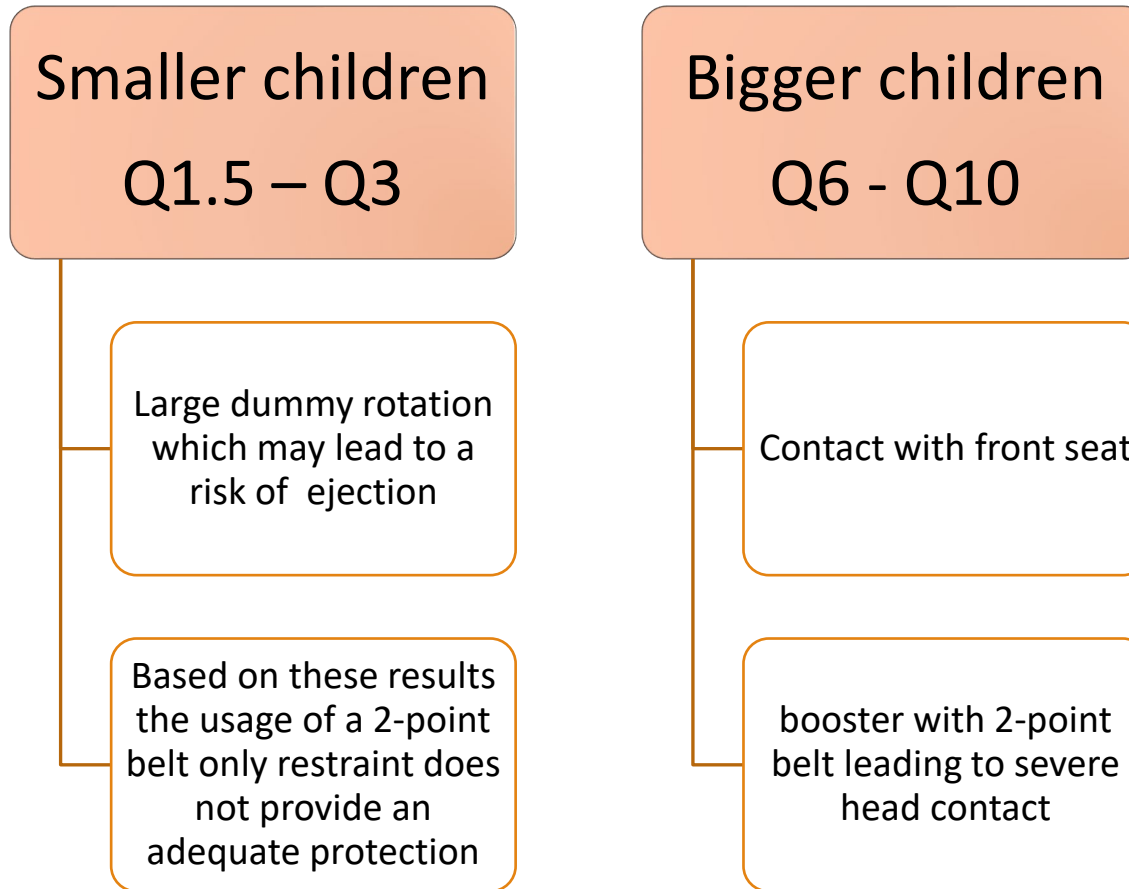
Tests and tests results

Dummy		2 pts & CRS	2 pts
Q1,5	Infant carrier 129 belted	X	X
Q3	Toddler R44	X	X
Q6	Booster cushion R44	X	X
Q10	Booster cushion R44	X	X

- ⊕ CRSs: Infant carrier, toddler, booster cushion
- ⊕ Dummies: Q1.5, Q3, Q6 and Q10
- ⊕ Test configuration:
 - 2pts vs. 2pts + CRS,
 - 2 rows of seats
 - Distance between seat R80
- ⊕ R80 test pulse



Discussion



Next IWG Meeting

⊕ 7th IWG-STCBC meeting

Date: 7th September 2021

Location: Online

Next Steps

- ⊕ ISO envelope compatibility
- ⊕ Physical installation of CRS in Bus/Coach environment
- ⊕ Analysis of the test pulse for frontal impact
- ⊕ Tests using 3-point belts seats

Thank you for your attention!
