



Economic and Social Council

Distr.: General
5 March 2021

Original: English
English and Russian only

Economic Commission for Europe

Inland Transport Committee

World Forum for Harmonization of Vehicle Regulations

183rd session

Geneva, 9-11 March 2021

Item 4.14.1 of the provisional agenda

1958 Agreement

Proposal for amendments to the Consolidated Resolution

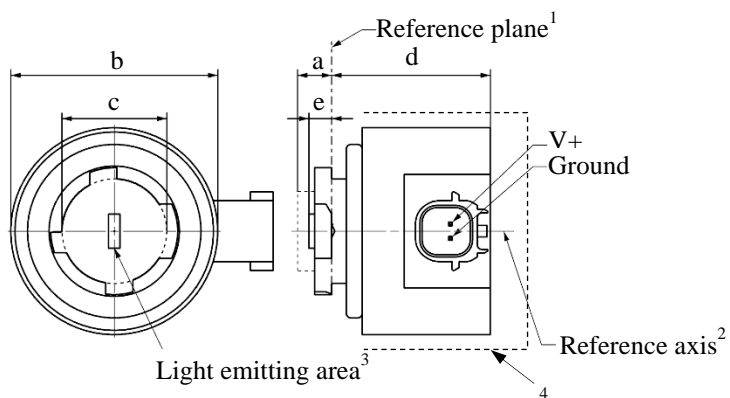
on the common specification of light source categories (R.E.5)

Proposal for amendment 6 to the Consolidated Resolution on the common specification of light source categories (R.E.5)

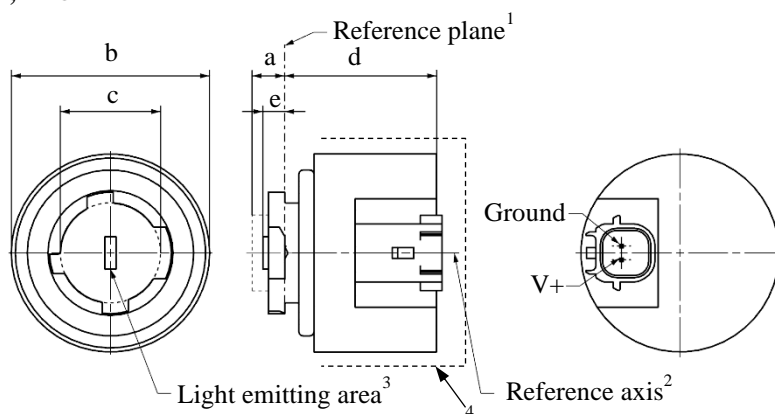
Note by the secretariat

Corrigendum

Page 19, Sheet Lx5/1, figure 1 should be read as below:

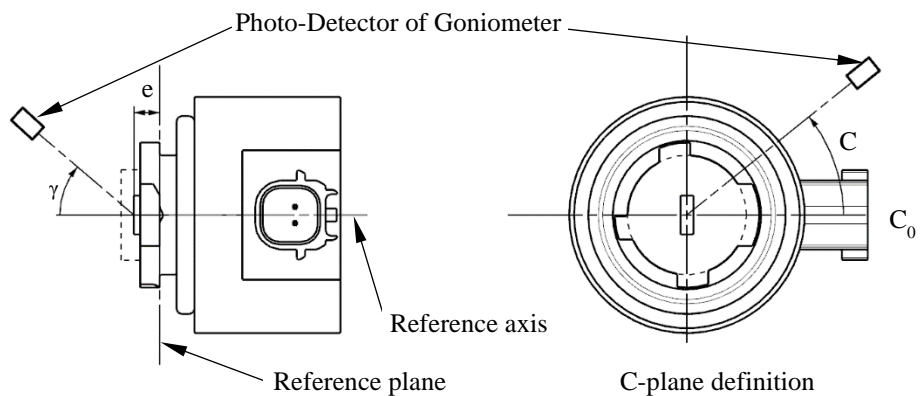


LR5A, LW5A, LY5A

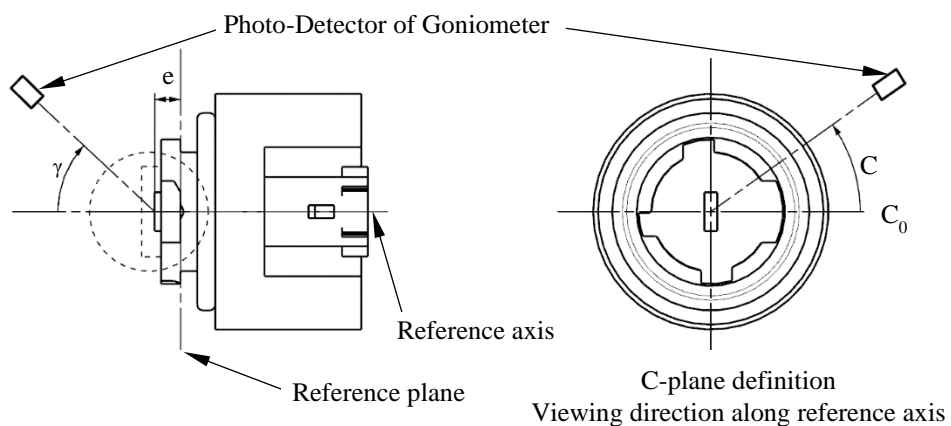


LR5B, LW5B, LY5B

Page 20, Sheet Lx5/5, figure 3 should be read as below:



LR5A, LW5A, LY5A



LR5B, LW5B, LY5B