

24 October 2018

Agreement

Concerning the Adoption of Harmonized Technical United Nations Regulations for Wheeled Vehicles, Equipment and Parts which can be Fitted and/or be Used on Wheeled Vehicles and the Conditions for Reciprocal Recognition of Approvals Granted on the Basis of these United Nations Regulations*

(Revision 3, including the amendments which entered into force on 14 September 2017)

Addendum 15 – UN Regulation No. 16

Revision 8 – Amendment 5 - Corrigendum 1

Corrigendum 1 to Supplement 9 to the 06 series of amendments – Date of entry into force:
20 June 2018

Uniform provisions concerning the approval of:

- I. Safety-belts, restraint systems, child restraint systems and ISOFIX child restraint systems for occupants of power-driven vehicles**
- II. Vehicles equipped with safety-belts, safety-belt reminder, restraint systems, child restraint systems, ISOFIX child restraint systems and i-Size child restraint systems**

This document is meant purely as documentation tool. The authentic and legal binding texts is:
ECE/TRANS/WP.29/2018/64.



UNITED NATIONS

* Former titles of the Agreement:

Agreement concerning the Adoption of Uniform Conditions of Approval and Reciprocal Recognition of Approval for Motor Vehicle Equipment and Parts, done at Geneva on 20 March 1958 (original version); Agreement concerning the Adoption of Uniform Technical Prescriptions for Wheeled Vehicles, Equipment and Parts which can be Fitted and/or be Used on Wheeled Vehicles and the Conditions for Reciprocal Recognition of Approvals Granted on the Basis of these Prescriptions, done at Geneva on 5 October 1995 (Revision 2).

Paragraph 6.4.1.4.1.1., correct to read:

"6.4.1.4.1.1. In the case of the driver, contact of the chest with the steering assembly would be allowed, if the latter meets the requirements of UN Regulation No. 12 and provided contact does not occur at a speed higher than 24 km/h. For this assessment the seat shall be considered to be in the positions specified in paragraph 7.7.1.5. below."

Paragraph 8.3.6., correct to read:

"8.3.6. Any i-Size seating position shall allow the installation of the ISOFIX child restraint fixture "ISO/F2X", "ISO/R2", and the support leg installation assessment volume as defined in Appendix 2 of Annex 17, as well as the booster seat fixture "ISO/B2" as defined in Appendix 5 of Annex 17, without the ISOFIX attachments (see detail B). It shall be possible to occupy all adjacent i-Size seating positions simultaneously. This is deemed to be demonstrated when the vertical median planes of individual adjacent positions are at least 440 mm apart.

..."

Annex 17,

Appendix 2, paragraph 3.1., correct to read:

"3.1. It has to be possible to accommodate the CRF(s), with or without i-Size support leg installation assessment volume, without interference with the vehicle interior. The CRF base shall have a pitch angle of $15^\circ \pm 10^\circ$, above the horizontal plane passing through the ISOFIX anchorages system. ISOFIX attachments, according to detail Y of figures 1 to 8,..."

Appendix 2, paragraph 3.3., correct to read:

"3.3. Should the above requirements not be met These alternative positions shall be described in the vehicle handbook and with the additional information specified in Appendix 3 to this annex. ..."

Appendix 3, Table 1, correct to read:

"Table 1

This table gives technical information specifically intended e.g. for child restraint system manufacturer and as such translation into national languages is not required.

Seat position number	Seating position								
	1	2	3	4	5	6	7	8	9
Seating position suitable for universal belted (yes/ no)									
i-Size seating position (yes/ no)									
Seating position suitable for lateral fixture (L1/ L2)									
Largest suitable rearward facing fixture (R1/ R2X/ R2/ R3)									
Largest suitable forward facing fixture (F2X /F2/ F3)									

	<i>Seating position</i>								
Largest suitable booster fixture (B2/B3)									

"

Appendix 5, the title, correct to read:

"Annex 17 – Appendix 5

Provisions concerning the installation of forward-facing booster seat child restraint systems of i-Size and specific categories installed on vehicle seating positions or i-Size seating positions"

Appendix 5, paragraph 4., correct to read:

"4. Booster seat child restraint system fixtures:

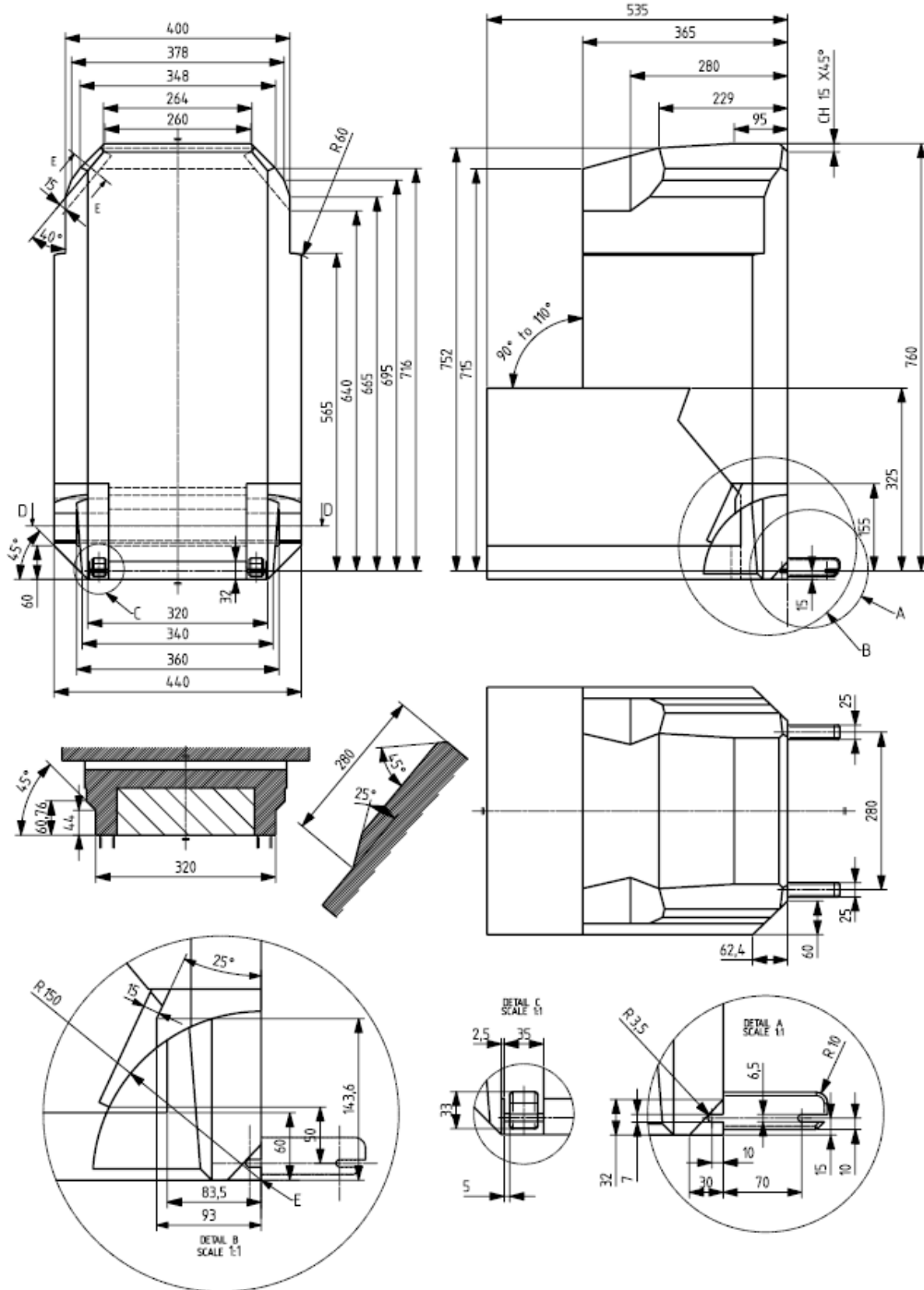
...

The fixtures above shall be constructed with a mass of 7 kg +/- 1 kg and shall be of suitable durability and stiffness to satisfy the functional requirements."

Appendix 5, figure 2 ISO B2, to be replaced as follows:

"Figure 2

...

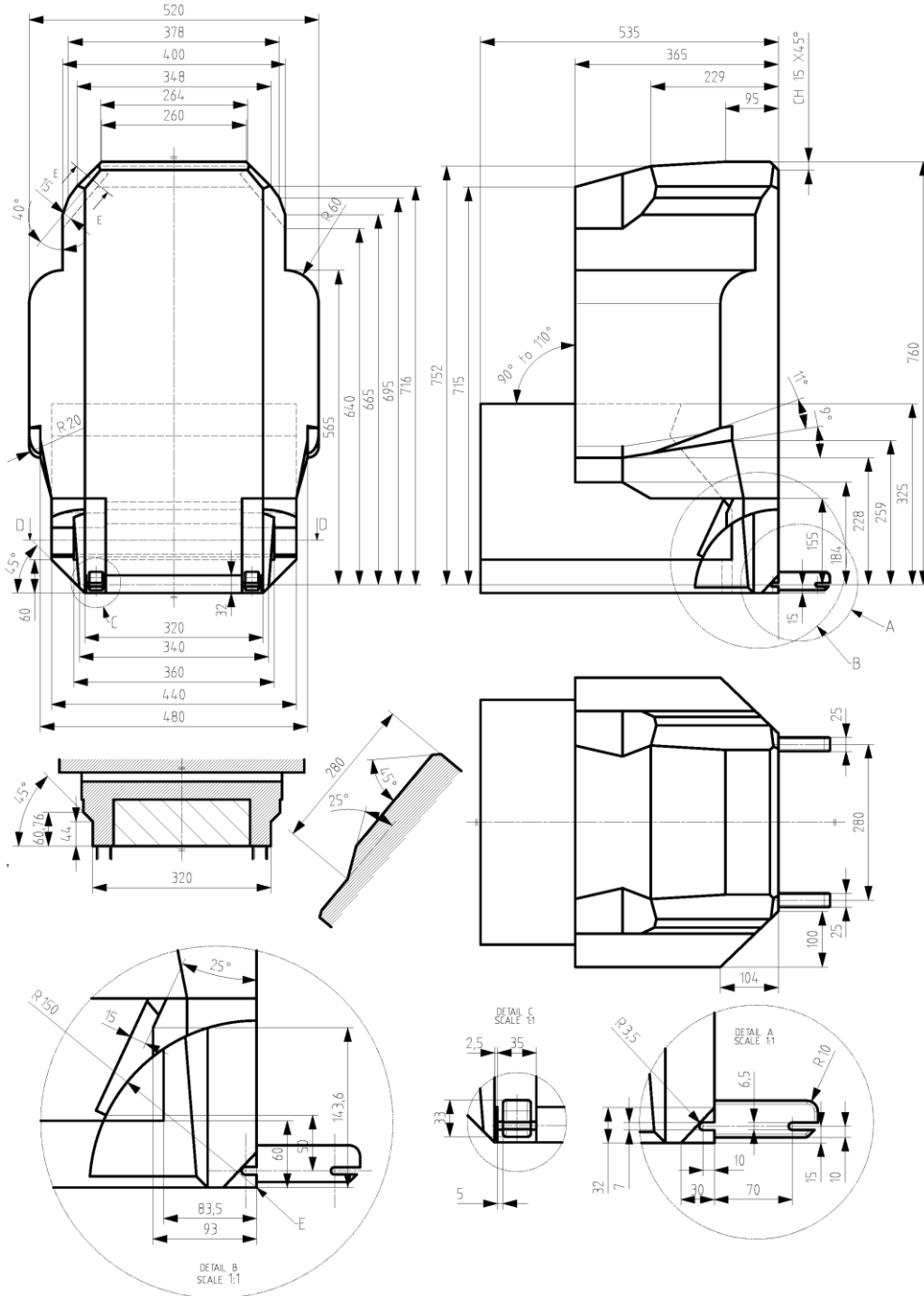


(all dimensions in millimetres)

Appendix 5, Figure 3 ISO/B3, to be replaced as follows:

"Figure 3

...



(all dimensions in millimetres)