

# **Status Report of the Informal Working Group on Safer Transport of Children in Buses and Coaches (IWG-STCBC)**

---

**67<sup>th</sup> GRSP Session  
20 – 13 July 2020**

CHAIR: MARTA ANGLÈS , SPAIN

SECRETARY: FARID BENDJELLAL, CLEPA



# Informal Working Group

---

- 1st IWG-STCBC meeting

Date: 9<sup>th</sup> July 2019

Location: Ministerio de Industria, Comercio y Turismo , Madrid, Spain

Initial discussions & Drafting Terms of Reference.

- 2nd IWG-STCBC meeting

Date: 30<sup>th</sup> October 2019

Location: Applus IDIADA, Tarragona, Spain

Reviewing accident surveys , discussing key elements to investigate , Defining a draft Road map.

- **3rd IWG-STCBC meeting**

**Date: 16<sup>th</sup>-17<sup>th</sup> January 2020**

**Location: CLEPA, Brussels**

**Definition of dynamic tests conditions, definition of research key dynamic tests to see the dummy behaviour.**

# Next Planned Tasks

---

- Seat belt specifications
- Market overview of seat-belt installation
- Distance between bus/coaches seats in Korea
- Presentation of requirements that apply in Korea to buses/coaches
- Key elements for future accident investigation
- Top and front views from Evobus simulation
- Support leg assessment volume
- Testing
- Comparison of loads in R80 and using M2 pulse in R100

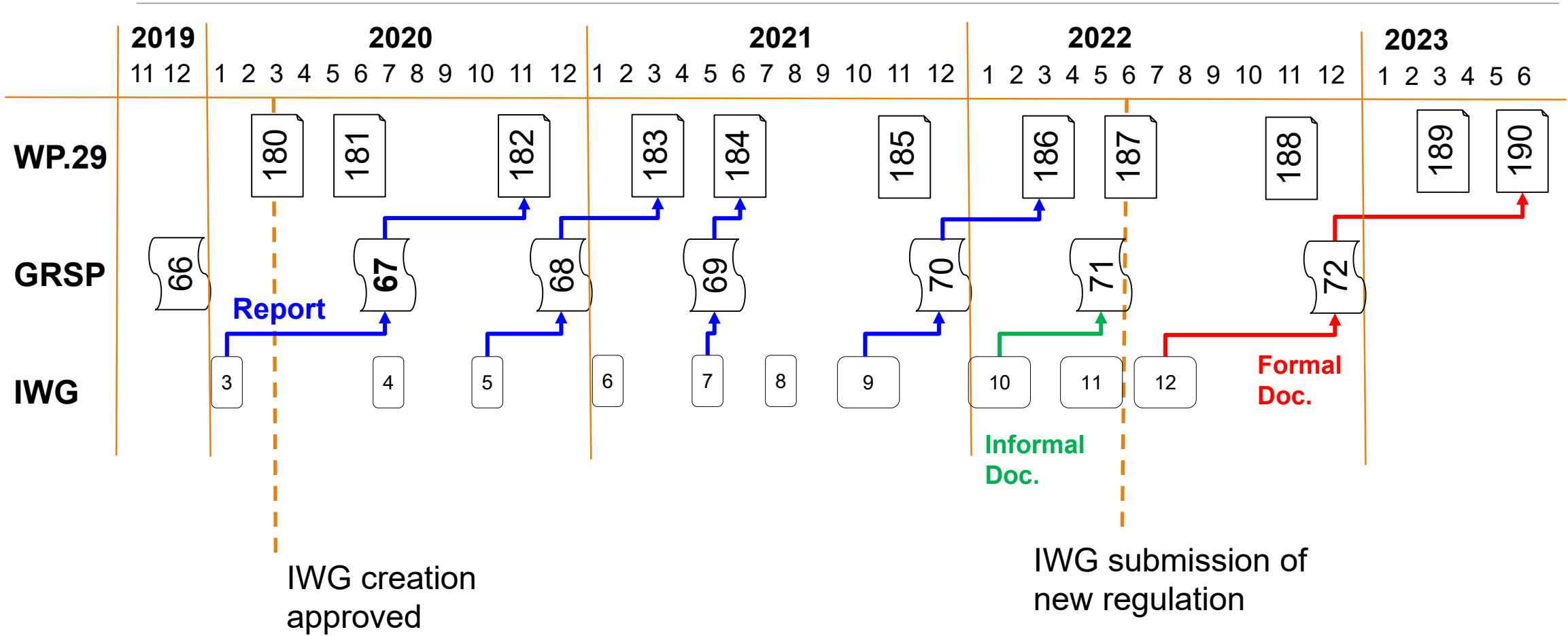
# Road map

---

2020	2021	2022
Learning Phase	Execution Phase	Check & Submission to GRSP
Collect data on: <ul style="list-style-type: none"><li>- accident situations</li><li>- usage conditions</li><li>- space in and testing requirements for M2 &amp; M3 vehicles</li><li>- Define format for accident data collection</li></ul>	Defining key elements of the regulation - Drafting Requirements & evaluating their feasibility and relevance	Completion of proposal to GRSP

# Timeline

## Plan and Schedule



# Next IWG Meeting

---

- 4<sup>th</sup> IWG-STCBC meeting **Postponed due to COVID situation**

Date: TBD

Location: Cologne

- 5<sup>th</sup> IWG-STCBC meeting

Date: TBD

Location: France

**Thank you for your attention!**

---