

## STUDY on LED replacement light sources introduction into Regulation No. 37

The attached document is a study on how LED replacement light sources can be introduced into Regulation No. 37.

The following coding was used:

### **Characters**

Green	clarifying text
Black	original text from Regulation No. 37
Undetermined	colour depending on your system chosen for the track changes mode, indicating changes to Regulation No. 37; not applicable to text taken from Regulation No. 128 and amended
Purple	text containing general requirements copied from Regulation No. 128
Blue	text containing specific requirements on LED substitute light sources copied from Regulation No. 128
Red	text, amending the text copied from Regulation No. 128, and inserting new requirements for LED replacement light sources

**STUDY on LED  
replacement light sources  
introduction into R37  
Status 2020-07-08**

24 July 2017

**Agreement**

**Concerning the Adoption of Uniform Technical Prescriptions for  
Wheeled Vehicles, Equipment and Parts which can be Fitted and/or be  
Used on Wheeled Vehicles and the Conditions for Reciprocal  
Recognition of Approvals Granted on the Basis of these Prescriptions\***

(Revision 2, including the amendments which entered into force on 16 October 1995)

**Addendum 36 – Regulation No. 37**

**Revision 7 - Amendment 8**

Supplement 45 to the 03 series of amendments – Date of entry into force: 22 June 2017

**CONSOLIDATED NON-OFFICIAL VERSION 23-01-2020**

Including Supplement 46 from R037r7am9e

ECE-TRANS-WP29-2018-29e or ECE-TRANS-WP29-GRE-2017-19e

Including Supplement 47 from R037r7am10e

ECE-TRANS-WP29-2018-083e or ECE-TRANS-WP29-GRE-2018-21e

**Uniform provisions concerning the approval of filament ~~lamps~~ **light  
sources** for use in approved lamp units of power-driven vehicles and of  
their trailers**

This document is meant purely as documentation tool. The authentic and legal binding text is:  
~~ECE/TRANS/WP.29/2016/76.~~



**UNITED NATIONS**

\* Former title of the Agreement: Agreement Concerning the Adoption of Uniform Conditions of Approval and Reciprocal Recognition of Approval for Motor Vehicle Equipment and Parts, done at Geneva on 20 March 1958.

## Regulation No. 37

### Uniform provisions concerning the approval of filament light sources for use in approved lamps of power-driven vehicles and of their trailers

#### Contents

	<i>Page</i>
Regulation	
1. Scope.....	4
2. Administrative provisions .....	4
3. Technical requirements .....	6
4. Requirements to the packaging of LED replacement light sources <del>Conformity of production</del> .....	10
5. Conformity of production.....	10
<del>6.5.</del> Penalties for non-conformity of production .....	11
<del>76.</del> Production definitively discontinued.....	11
<del>87.</del> Names and addresses of the Technical Services responsible for conducting approval tests, and of Type Approval Authorities.....	11
<del>98.</del> Transitional provisions.....	12
Annexes	
1 Sheets for filament light sources and their LED replacement light sources .....	13
2 Communication .....	13
3 Example of the arrangement of the approval mark .....	15
4 Luminous centre and shapes of filaments .....	16
5 Checking the colour of filament light sources.....	17
6 Method of measurement of electrical, photometrical and thermal characteristics of LED replacement light sources	17
<del>76</del> Minimum requirements for quality control procedures by the manufacturer.....	19
<del>87</del> Sampling and compliance levels for manufacturer test records .....	20
<del>98</del> Minimum requirements for spot checks by the Type Approval Authority.....	24
<del>109</del> Compliance approved by spot check.....	25

## 1. Scope

This Regulation applies to filament light sources and their LED replacement light sources shown in Annex 1 and intended for use in approved lamps of power-driven vehicles and of their trailers.

## 2. Administrative provisions

### 2.1. Definitions

#### 2.1.1. Definition of "category"

The term "category" is used in this Regulation to describe different basic design of standardised filament light sources, producing light by incandescent technology, and of standardised LED replacement light sources, producing light by LED technology.

The category of a filament light source and the category of its LED replacement light source are considered the same, despite using different light producing technologies.

Each category has a specific designation, as for example: "H4", "P21W", "T4W", "PY21W" or "RR10W".

#### 2.1.2. Definition of "type"

~~Filament~~ Light sources of different<sup>1</sup> "types" are ~~filament~~ light sources within the same category of filament light sources or within the same category of LED replacement light sources which differ in such essential respects as:

##### 2.1.2.1. Trade name or mark

~~(Filament~~ Light sources bearing the same trade name or mark but produced by different manufacturers are considered as being of different types. ~~Filament~~ Light sources produced by the same manufacturer differing only by the trade name or mark may be considered to be of the same type);

##### 2.1.2.2. ~~Bulb design and/or cap~~ Light source design, in so far as these differences affect the optical results;

##### 2.1.2.3. Rated voltage;

##### 2.1.2.4. In the case of a filament light source: ~~H~~halogen;

##### 2.1.2.5. In the case of a LED replacement light source: minimum electrical current specification present (high-efficiency type).

---

<sup>1</sup> A selective-yellow bulb or an additional selective-yellow outer bulb, solely intended to change the colour but not the other characteristics of a filament light source emitting white light, does not constitute a change of type of the filament light source.

- 2.2. Application for approval
  - 2.2.1. Application for approval shall be submitted by the owner of the trade name or mark, or by his duly accredited representative.
  - 2.2.2. Every application for approval shall be accompanied (see also paragraph 2.4.2.) by:
    - 2.2.2.1. Drawings in triplicate, sufficiently detailed to permit identification of the type;
    - 2.2.2.2. A brief technical description, **which;**
      - 2.2.2.2.1. **in the case of a filament light source, this** shall include the shape of the filament if the relevant light source sheet specifies that a straight or V-shaped filament is allowed;
      - 2.2.2.2.2. **in the case of a LED replacement light source, shall include a statement whether the following conditions apply to LED replacement light source:**
        - (a) it is a high-efficiency type,
        - (b) it needs electrical/electronic controls not integrated with the LED replacement light source,
        - (c) it operates in only one position while by design the LED replacement light source or its electrical connector can be inserted in more than one position,
        - (d) it is equipped with a cap with larger outer dimensions than specified by the relevant IEC cap sheet.
    - 2.2.2.3. Five samples of each colour which has been applied for;
    - 2.2.2.3.1. Five samples of electrical/electronic controls in the case that these controls are not integrated with the LED replacement light source;
    - 2.2.2.4. Documents, in the case of LED replacement light sources, showing:
      - 2.2.2.4.1. The information to be displayed on the packaging of LED replacement light sources;
      - 2.2.2.4.2. The instructions to be contained by the packaging of LED replacement light sources if at least one of the conditions in 2.2.2.2.2. is true.
  - 2.2.3. In the case of a type of ~~filament~~ light source differing only by the trade name or mark from a type that has already been approved it shall be sufficient to submit:
    - 2.2.3.1. A declaration by the manufacturer that the type submitted is identical (except in the trade name or mark) with and has been produced by the same manufacturer as, the type already approved, the latter being identified by its approval code;
    - 2.2.3.2. Two samples bearing the new trade name or mark.
  - 2.2.4. The Type Approval Authority shall verify the existence of satisfactory arrangements for ensuring effective control of the conformity of production before type approval is granted.
- 2.3. Inscriptions

- 2.3.1. ~~Filament~~ Light sources submitted for approval shall bear ~~on the cap or bulb~~<sup>2</sup>:
- 2.3.1.1. The trade name or mark of the applicant;
- 2.3.1.2. The rated voltage. However, for ~~filament~~ light sources for which only a 12 V type is standardised and the maximum allowed bulb diameter of which does not exceed 7.5 mm, the rated voltage need not be marked;
- 2.3.1.3. The ~~international~~ designation of the relevant category. The wattage character "W" of this designation need not be marked ~~when~~ if the maximum allowed bulb diameter of the ~~filament~~ light source type does not exceed 7.5 mm;
- 2.3.1.4. The rated wattage ~~in the case of a filament light source~~ (in the sequence, high wattage/low wattage filament for dual-filament light sources); this need not be indicated separately if it is part of the ~~international~~ designation of the relevant filament light source category;
- 2.3.1.5. The character "E"<sup>3</sup> in the case of a high-efficiency LED replacement light source type; this mark shall be placed after the approval code of this type, separated by a single character space.
- 2.3.1.56. A space of sufficient size to accommodate the approval mark;
- 2.3.1.7. In the case of a LED replacement light sources for which at least one of the statements in paragraph 2.2.2.2. is provided by the applicant at type approval, the following symbol<sup>4</sup>:



- 2.3.2. The space mentioned in paragraph 2.3.1.56. above shall be indicated in the drawings accompanying the application for approval.
- 2.3.3. Halogen filament light sources meeting the requirements of paragraph 3.3.47. below shall be marked with a "U".
- 2.3.4. LED replacement light sources shall be marked "LED<sup>r</sup>". This mark shall be placed after or below the designation of the relevant LED replacement light source category separated by a single character space or line space.
- 2.3.5. LED replacement light sources that operate in only one position while by design the LED replacement light source or its electrical connector can be inserted in more than one position, shall be marked with the voltage polarity, which is to be connected to the respective terminals of the light source, using the symbols "+" or "-" according to the voltage polarity specification given in the relevant light source category data sheet, placed closely to or on the respective terminal.
- 2.3.6. In the case of electrical/electronic controls not integrated with the LED replacement light source, the controls used for the type approval shall be marked with type and trade mark identification and with the rated voltage and wattage, as indicated on the relevant lamp data sheet, as well as the category

---

<sup>2</sup> ~~In the latter case,~~ The luminous characteristics shall not be adversely affected.

<sup>3</sup> This character can be composed of "H" overlapping with "E" or of "I" (Unicode 0370 Hex) connected to "E" (Unicode 0045 Hex)

<sup>4</sup> ISO 7000, symbol 1641

designation(s) and approval code(s) of the LED replacement light source(s) approved with these electrical/electronic controls.

- 2.3.47. Inscriptions other than those covered by paragraphs 2.3.1. and 2.4.3. may be affixed, on the condition that they do not adversely affect the luminous characteristics.
- 2.4. Approval
- 2.4.1. If all samples of a type of ~~filament~~-light source which are submitted in pursuance of paragraphs 2.2.2.3. or 2.2.3.2. above meet the requirements of this Regulation, **whereby for LED replacement light sources the provision in paragraph 3.4.7.1. applies**, approval shall be granted.
- 2.4.2. An approval code shall be assigned to each type approved. This approval code shall consist of Section 3 of the approval number<sup>5</sup>. The same Contracting Party may not assign the same code to another type of filament light source. Notice of approval or of extension or refusal or withdrawal of approval or production definitively discontinued of a type of filament light source pursuant to this Regulation shall be communicated to the Parties of the Agreement which apply this Regulation by means of a form conforming to the model in Annex 2 to this Regulation and of a drawing, supplied by the applicant for approval in a format not exceeding A4 (210 x 297 mm) and on a scale of at least 2:1. If the applicant so desires, the same approval number (and the same correlating approval code) may be assigned to the filament light source emitting white light and to the filament light source emitting selective-yellow light (see ~~para-graph~~ 2.1.2.~~3~~).
- 2.4.3. To every ~~filament~~-light source conforming to a type approved under this Regulation there shall be affixed in the space referred to in paragraph 2.3.1.~~56~~., in addition to the inscriptions required under paragraph 2.3.1., an **international** approval mark consisting of:
- 2.4.3.1. A truncated circle surrounding the letter "E" followed by the distinguishing number of the country which has granted approval<sup>6</sup>.
- 2.4.3.2. The approval code, placed close to the truncated circle.
- 2.4.4. If the applicant has obtained the same approval number (and the same correlating approval code) for several trade names or marks, one or more of them will suffice to meet the requirements of paragraph 2.3.1.1.
- 2.4.5. The marks and inscriptions specified in paragraphs 2.3.1. and 2.4.3. shall be clearly legible and be indelible.
- 2.4.6. Annex 3 to this Regulation gives an example of arrangement of the approval mark.

### 3. Technical requirements

#### 3.1. Definitions

The definitions given in Resolution R.E.5 or its subsequent revisions, applicable at the time of application for type approval shall apply.

---

<sup>5</sup> 1958 Agreement, Revision 3, Schedule 4 (E/ECE/TRANS/505/Rev.3)

<sup>6</sup> The distinguish numbers of the Contracting Parties to the 1958 Agreement are reproduced in Annex 3 to Consolidated Resolution on the Construction of Vehicles (R.E.3), document TRANS/WP.29/78/Rev.4.

- 3.2. General specifications
- 3.2.1. Each sample submitted shall conform to the relevant specifications of this Regulation.
- 3.2.2. ~~Filament~~ Light sources shall be so designed as to be and to remain in good working order when in normal use. They shall moreover exhibit no fault in design or manufacture.
- 3.2.3. The filament(s) shall be the only element(s) of the filament light source that generate and emit light when energised.
- The solid state junction(s) and possibly one or more elements for fluorescence-based conversion shall be the only element(s) of the LED replacement light source that generate(s) and emit(s) light when energized.
- ~~3.3. Manufacture~~
- ~~3.3.1.3.2.4.~~ ~~Filament~~ Light sources ~~bulbs~~ shall exhibit no scores or spots which might impair their efficiency and their optical performance. ~~This shall be verified for LED replacement light sources when commencing approval testing and when required in the respective paragraphs in this Regulation.~~
- ~~3.3.2.3.2.5.~~ ~~Filament~~ Light sources shall be equipped with standard caps complying with the cap data sheets of IEC Publication 60061, as specified on the individual data sheets of Annex 1.
- 3.2.5.1. LED replacement light sources shall be equipped with a cap of the same cap designation as specified for its counterpart filament light sources with the same category designation.
- 3.2.5.2. Outer dimensions of the cap of the LED replacement light source may deviate from those specified in the relevant cap data sheet of IEC Publication 60061 if specified in the relevant light source category data sheet.
- ~~3.3.3.3.2.6.~~ The cap shall be strong and firmly secured to the bulb of the filament light source.
- ~~3.3.4.3.2.7.~~ To ascertain whether ~~filament~~ light sources conform to the requirements of paragraphs ~~3.3.1.3.2.4.~~ to ~~3.3.3.3.2.6.~~ above, a visual inspection, a dimension check and, where necessary, a trial fitting into the holder as specified in IEC publication 60061 shall be carried out.
- 3.3. Filament light sources (incandescent technology)
- ~~3.4.3.3.1.~~ Tests
- ~~3.4.3.3.1.1.~~ Filament light sources shall first be aged at their test voltage for approximately one hour. For dual-filament light sources, each filament shall be aged separately. In the case of filament light sources, for which more than one test voltage is specified, the highest test voltage value shall be used for ageing.
- ~~3.4.3.3.1.2.~~ In the case of a filament light source having a coated bulb, after the ageing period corresponding to paragraph ~~3.4.3.3.1.1.~~, the surface of the bulb shall be lightly wiped with a cotton cloth soaked in a mixture of 70 vol. per cent of n-heptane and 30 vol. per cent of toluol. After about five minutes, the surface shall be inspected visually. It shall not show any apparent changes.
- ~~3.4.3.3.1.3.~~ The position and dimensions of the filament shall be measured with the filament light sources being supplied with current at from 90 per cent to



100 per cent of the test voltage. In the case of filament light sources, for which more than one test voltage is specified, the highest test voltage value shall be used for measurement of the position and dimensions of the filament.

- ~~3.4.3.3.1.4.~~ Unless otherwise specified, electrical and photometric measurements shall be carried out at the test voltage(s).
- ~~3.4.3.3.1.5.~~ Electrical measurements shall be carried out with instruments of at least class 0.2.
- ~~3.4.3.3.1.6.~~ In the case where the selective-yellow colour is allowed, the luminous flux of the filament light source with the selective-yellow outer bulb shall be at least 85 per cent of the specified luminous flux of the relevant filament light source emitting white light.
- ~~3.5.3.3.2.~~ Filament position and dimensions
  - ~~3.5.3.3.2.1.~~ The geometric shapes of the filament shall in principle be as specified on the filament light source data sheets of Annex 1.
  - ~~3.5.3.3.2.2.~~ For line filaments the correct position and shape shall be checked as specified in the relevant data sheets.
  - ~~3.5.3.3.2.3.~~ If the filament is shown on the filament light source data sheet in at least one view as a point, the position of the luminous centre shall be determined in conformity with Annex 4.
  - ~~3.5.3.3.2.4.~~ The length of a line filament shall be determined by its ends, defined — unless otherwise specified on the relevant data sheet — as the apices of the first and the last filament turn as seen in projection perpendicular to the reference axis of the filament light source. Such an apex shall comply with the requirement that the angle formed by the legs shall not exceed 90°. In the case of coiled-coil filaments the apices of the secondary turns shall be taken into account. Apices outside the point of connection to the current lead-in legs shall be disregarded for the determination of the filament length.
    - ~~3.5.3.3.2.4.1.~~ For axial filaments the extreme position of the apices considered shall be determined by rotating the filament light source about its reference axis. The length shall then be measured in a direction parallel to the reference axis.
    - ~~3.5.3.3.2.4.2.~~ For transverse filaments the filament axis shall be placed perpendicular to the direction of projection. The length shall be measured in a direction perpendicular to the reference axis.
- 3.3.36. Colour
  - 3.63.3.1. The colour of the light emitted by the filament light source shall be white unless otherwise specified on the relevant data sheet.
  - 3.63.3.2. The definitions of the colour of the light emitted, given in Regulation No. 48 and its series of amendments in force at the time of application for type approval, shall apply to this Regulation.
  - 3.63.3.3. The colour of the light emitted shall be measured by the method specified in Annex 5. Each measured value shall lie within the required chromaticity area<sup>7</sup>. Moreover, in the case of filament light sources emitting white light, the

---

<sup>7</sup> For conformity of production purposes of amber and red colour only, at least 80 per cent of the measuring results shall lie within the required chromaticity area.

measured values shall not deviate more than 0.020 unit in the x and/or y direction from a point of choice on the Planckian locus (CIE ~~3<sup>rd</sup>~~015 :2018, 4<sup>th</sup> edition). Filament light sources for use in light signalling devices shall meet the requirements as specified in paragraph 4.4.2. of IEC Publication 60809, Edition 3.

3.73.4. UV radiation

The UV radiation of a halogen filament light source shall be such that:

$$k1 = \frac{\int_{\lambda = 315nm}^{400nm} Ee(\lambda) \cdot d\lambda}{780nm} \leq 2 \cdot 10^{-4} W / lm$$

$$k_m \cdot \int_{\lambda = 380nm} Ee(\lambda) \cdot V(\lambda) \cdot d\lambda$$

$$k2 = \frac{\int_{\lambda = 250nm}^{315nm} Ee(\lambda) \cdot d\lambda}{780nm} \leq 2 \cdot 10^{-6} W / lm$$

$$k_m \cdot \int_{\lambda = 380nm} Ee(\lambda) \cdot V(\lambda) \cdot d\lambda$$

Where:

$Ee(\lambda)$  (W/nm) is the spectral distribution of the radiant flux;

$V(\lambda)$  (1) is the spectral luminous efficiency;

$k_m = 683$  (lm/W) is the photometric radiation equivalent;

$\lambda$  (nm) is the wave length.

This value shall be calculated using intervals of five nanometres.

3.83.5. Observation concerning selective-yellow colour

An approval of a filament light source type under this Regulation may be granted, pursuant to paragraph 3.63.3. above, for a filament light source emitting white light as well as selective-yellow light; Article 3 of the Agreement to which this Regulation is annexed shall not prevent the Contracting Parties from prohibiting, on vehicles registered by them, filament light sources emitting either white or selective-yellow light.

3.93.6. Check on optical quality

(Applies only to filament light sources with an internal shield to produce the cut-off).

3.93.6.1. This check on optical quality shall be carried out at a voltage such that the measuring luminous flux is obtained; the specifications of paragraph 3.4.3.3.1.6. are to be observed accordingly.

3.93.6.2. For 12-volt filament light sources emitting white light:

The sample which most nearly conforms to the requirements laid down for the standard filament light source shall be tested in a standard headlamp as specified in paragraph 3.93.6.5. and it shall be verified whether the assembly comprising the aforesaid headlamp and the filament light source being tested meets the light-distribution requirements laid down for the passing beam in the relevant Regulation.

3.93.6.3. For 6-volt and 24-volt filament light sources emitting white light:

The sample which most nearly conforms to the nominal dimension values shall be tested in a standard headlamp as specified in paragraph 3.93.6.5. and it shall be verified whether the assembly comprising the aforesaid headlamp and the filament light source being tested meets the light-distribution requirements laid down for the passing beam in the relevant Regulation. Deviations not exceeding 10 per cent of the minimum values will be acceptable.

3.93.6.4. Filament light sources emitting selective-yellow light shall be tested in the same manner as described in paragraphs 3.93.6.2. and 3.93.6.3. in a standard headlamp as specified in paragraph 3.93.6.5. to ensure that the illumination complies with at least 85 per cent for 12-volt filament light sources, and at least 77 per cent for 6-volt and 24-volt filament light sources, with the minimum values of the light-distribution requirements laid down for the passing beam in the relevant Regulation. The maximum illumination limits remain unchanged.

In the case of a filament light source having a selective-yellow bulb, this test shall be left out if the approval is also given to the same type of filament light source emitting white light.

3.93.6.5. A headlamp shall be deemed to be a standard headlamp if:

3.93.6.5.1. It satisfies the pertinent conditions of approval;

3.93.6.5.2. It has an effective diameter of not less than 160 mm;

3.93.6.5.3. With a standard filament light source it produces at the various points and in the various zones specified for the headlamp type concerned, illumination equal to:

3.93.6.5.3.1. Not more than 90 per cent of the maximum limits;

3.93.6.5.3.2. Not less than 120 per cent of the minimum limits prescribed for the headlamp type concerned.

3.403.7. Standard filament light sources

Additional requirements for standard (étalon) filament light sources are given on the relevant data sheets of Annex 1.

Bulbs of standard (étalon) filament light sources emitting white light shall not alter the CIE trichromatic coordinates of a luminous source having a colour temperature of 2,856 K by more than 0.010 units in the x and/or y direction.

For standard (étalon) filament light sources emitting amber or red light, changes of the bulb temperature shall not affect the luminous flux which might impair photometric measurements of signalling devices.

3.4. LED replacement light sources (LED technology)

3.4.1. Tests

- 3.4.1.1. LED replacement light sources shall first be aged at their test voltage for at least forty-eight hours. For LED replacement light sources with the counterpart being a dual filament light sources, each function shall be aged separately.
- 3.4.1.2. Unless otherwise specified, electrical and photometric measurements shall be carried out at the relevant test voltage(s).
- 3.4.1.3. Electrical measurements as specified in Annex 6 shall be carried out with instruments of at least class 0.2 (0.2 per cent full scale accuracy).
- 3.4.2. Position and dimensions of light emitting area
  - 3.4.2.1. The position and dimensions of the light emitting area shall conform to the requirements as given on the relevant data sheet of Annex 1.
  - 3.4.2.2. The measurement shall be made after ageing the LED replacement light source according to paragraph 3.4.1.1.
- 3.4.3. Luminous flux
  - 3.4.3.1. When measured according to the conditions specified in Annex 6, the luminous flux shall be within the limits given on the relevant data sheet of Annex 1.
  - 3.4.3.2. The measurement shall be made after ageing the LED replacement light source according to 3.4.1.1.
- 3.4.4. Normalized luminous intensity distribution / cumulative luminous flux distribution
  - 3.4.4.1. When measured according to the test conditions specified in Annex 6, the normalized luminous intensity distribution and/or cumulative luminous flux distribution shall be within the limits given on the relevant data sheet of Annex 1.
  - 3.4.4.2. The measurement shall be made after ageing the LED replacement light source according to paragraph 3.4.1.1.
- 3.4.5. Colour
  - 3.4.5.1. The colour of the light emitted by the LED replacement light sources shall be specified on the relevant data sheet. The definitions of the colour of the light emitted given in Regulation No. 48 and its series of amendments in force at the time of application for type approval shall apply to this regulation.
  - 3.4.5.2. The colour of the light emitted shall be measured by the method specified in Annex 6. The measured integral value of the chromaticity coordinates shall lie within the required chromaticity area.
    - 3.4.5.2.1. Moreover, in the case of LED replacement light sources emitting white light and for use in forward lighting devices, the colour shall be measured in the same directions as where the luminous intensity distribution is specified in the relevant data sheet, but only where the specified minimum luminous intensity is exceeding 50 cd/klm. The measured values shall lie within the required chromaticity area for white light.
    - 3.4.5.3. Moreover, in the case of LED replacement light sources emitting white light, the minimum red content of the light shall be such that:

$$k_{\text{red}} = \frac{\int_{\lambda=610\text{nm}}^{780\text{nm}} E_e(\lambda)V(\lambda)d\lambda}{\int_{\lambda=380\text{nm}}^{780\text{nm}} E_e(\lambda)V(\lambda)d\lambda} \geq 0,05$$

where:

$E_e(\lambda)$  (unit: W) is the spectral distribution of the irradiance;

$V(\lambda)$  (unit: 1) is the spectral luminous efficiency;

$\lambda$  (unit: nm) is the wavelength.

This value shall be calculated using intervals of one nanometer.

3.4.5.4. The correlated colour temperature<sup>8</sup> of LED replacement light sources emitting white light shall be no more than 3000 K, unless otherwise defined in the relevant data sheet of Annex 1.

3.4.6. UV-radiation

The UV-radiation of the LED replacement light source shall be such that the LED light source is of the low UV type complying with:

$$k_{\text{UV}} = \frac{\int_{\lambda=250\text{ nm}}^{400\text{ nm}} E_e(\lambda)S(\lambda)d\lambda}{k_m \int_{\lambda=380\text{ nm}}^{780\text{ nm}} E_e(\lambda)V(\lambda)d\lambda} \leq 10^{-5} \text{ W/lm}$$

where:

$S(\lambda)$ (unit: 1) is the spectral weighting function;

$k_m = 683 \text{ lm/W}$  is the maximum value of the luminous efficacy of radiation.

(For definitions of the other symbols see paragraph 3.4.5.3.).

This value shall be calculated using intervals of one nanometer. The UV-radiation shall be weighted according to the values as indicated in the Table below:

$\lambda$	$S(\lambda)$	$\lambda$	$S(\lambda)$	$\lambda$	$S(\lambda)$
250	0.430	305	0.060	355	0.000 16
255	0.520	310	0.015	360	0.000 13
260	0.650	315	0.003	365	0.000 11
265	0.810	320	0.001	370	0.000 09
270	1.000	325	0.000 50	375	0.000 077
275	0.960	330	0.000 41	380	0.000 064

<sup>8</sup> CIE S 017/E: 2011; ILV: International Lighting Vocabulary, or eILV; term 17-258

280	0.880	335	0.000 34	385	0.000 053
285	0.770	340	0.000 28	390	0.000 044
290	0.640	345	0.000 24	395	0.000 036
295	0.540	350	0.000 20	400	0.000 030
300	0.300				

*Note:* Values according to "IRPA/INIRC Guidelines on limits of exposure to ultraviolet radiation". Wavelengths (in nanometers) chosen are representative; other values should be interpolated.

#### 3.4.7. Electrical characteristics

##### 3.4.7.1. Electrical characteristics shall be tested at least at one sample.

3.4.7.2. The electrical current of the LED replacement light source shall be measured at ambient temperature of  $(23 \pm 2)$  °C in still air after 1 minute and after 30 minutes of operation at test voltage.

Measured values of the electrical current shall be within the limits as specified in the relevant data sheet of Annex 1.

3.4.7.3. The LED replacement light source shall comply with the technical requirements to an electrical/electronic sub-assembly (ESA) as specified by Regulation No. 10 and its series of amendments in force at the time of application for type approval.

3.4.7.4. The LED replacement light source shall not emit light when energized for 2 milliseconds or shorter.

3.4.7.5. Modulated light, emitted by the LED replacement light source when operated at a pulse-width modulated (PWM) voltage having an effective value, which is equal to the value of the prescribed test voltage, at frequencies of 100 Hz, 125 Hz, 150 Hz, 175 Hz and 200 Hz and all with a 90% duty cycle<sup>9</sup>, shall not exhibit any frequency components lower than the applied PWM frequency.

3.4.7.6. If an objective luminous flux value for a dimming mode is specified in the relevant data sheet of Annex 1, this shall be tested.

##### 3.4.8. Cap temperature

When measured according to the conditions specified in Annex 6, the cap temperature of the LED replacement light source, except if it is of a high-efficiency type, shall not exceed the maximum cap temperature value indicated in the relevant datasheet of Annex 1.

## 4. Requirements to the packaging of LED replacement light sources

4.1. Each package shall display the following information:

4.1.1. The trade name or mark of the manufacturer;

4.1.2. The rated voltage;

<sup>9</sup> ON time as percentage of the total time of one PWM cycle ”.

- 4.1.3. The designation of the LED replacement light source category and separated by a single character or line space “LEDr”;
- 4.1.4. The approval code;
- 4.2. In the case of LED replacement light sources for which at least one of the statements in paragraph 2.2.2.2. is provided by the applicant at type approval, the following requirements apply:
  - 4.2.1. Each package shall also display the following symbol<sup>10</sup>:



- 4.2.2. Each package shall contain instructions in an official language of the 1958 Agreement (i.e. English, French or Russian), supplemented by the corresponding text in the language of the country where it is sold:
  - 4.2.2.1. Providing (a) website address(es) where the LED replacement light source manufacturer shall publish up-to-date listing(s) of lighting and light signalling functions installed on vehicle models, specified by at least brand, type, model, and manufacturing period of the vehicle:
    - 4.2.2.1.1. Stating that this LED replacement light source, including electrical/electronic controls not integrated with the LED light source, if any, is suitable (or not) for fitment in these listed applications;
    - 4.2.2.1.2. Providing information for these listed applications, necessary for installation and proper functioning of the LED replacement light source, aimed at the consumer, on the conditions that apply as stated by the applicant according paragraph 2.2.2.2.
    - 4.2.2.2. Referring to professional maintenance or repair shops, if the applicability of the LED replacement light source is unclear;
    - 4.2.2.3. Warning, clearly legible, that if this LED replacement light source is not used in accordance with the instructions with its package and with the instructions provided with the vehicle, this LED replacement light source may cause a fault in the vehicle’s electrical system and/or pose an operational and/or traffic safety risk;
  - 4.2.3. The manufacturer shall provide the instructions, as referred to in paragraph 4.2.2., for displaying purposes at the point of sales without opening the package.

## 45. Conformity of production

- 45.1. ~~Filament-IL~~Light sources approved to this Regulation shall be so manufactured as to conform to the type approved by meeting the inscriptions and technical requirements set forth in this Regulation, paragraph 3- above and Annexes 1

---

<sup>10</sup> ISO 7000, symbol 1641

and; 3; in the case of filament light sources also ~~and Annex 4;~~ ~~to this Regulation~~ in the case of LED replacement light sources also Annex 6.

- 45.2. In order to verify that the requirements of paragraph 45.1. are met, suitable controls of the production shall be carried out.
- 45.3. The holder of the approval shall in particular:
  - 45.3.1. Ensure existence of procedures for the effective control of the quality of products;
  - 45.3.2. Have access to the control equipment necessary for checking the conformity to each approved type;
  - 45.3.3. Ensure that data of test results are recorded and that related documents shall remain available for a period to be determined in accordance with the-Type Approval Authority;
  - 45.3.4. Analyse the results of each type of test, applying criteria of Annex 78, in order to verify and ensure the stability of the product characteristics making allowance for variation of an industrial production;
  - 45.3.5. Ensure that for each type of ~~filament~~-light source, at least the tests prescribed in Annex 76 to this Regulation are carried out;
  - 45.3.6. Ensure that any collecting of samples giving evidence of non-conformity with the type of test considered shall give rise to another sampling and another test. All the necessary steps shall be taken to re-establish the conformity of the corresponding production.
  - 5.3.7. [Keep record of the information and listings, including the modifications and modification dates, published on its websites as described in paragraph 4.2.2.1.](#)
- 45.4. The Type Approval Authority which has granted type-approval may at any time verify the conformity control methods applicable to each production unit.
  - 45.4.1. In every inspection, the test books and production survey records shall be presented to the visiting inspector.
  - 45.4.2. The inspector may take samples at random which will be tested in the manufacturer's laboratory. The minimum number of samples may be determined according to the results of the manufacturer's own verification.
  - 45.4.3. When the quality level appears unsatisfactory or when it seems necessary to verify the validity of the tests carried out in application of paragraph 45.4.2. above, the inspector shall select samples, to be sent to the Technical Service which has conducted the type approval tests.
  - 45.4.4. The Type Approval Authority may carry out any tests prescribed in this Regulation. Where the Type Approval Authority decides to carry out spot checks, criteria of Annexes ~~8-9~~ and ~~9-10~~ to this Regulation shall be applied.
  - 45.4.5. The normal frequency of inspection authorised by the Type Approval Authority shall be one every two years. In the case where negative results are recorded during one of these visits, the Type Approval Authority shall ensure that all necessary steps are taken to re-establish the conformity of production as rapidly as possible.



## **56. Penalties for non-conformity of production**

- ~~56.1.~~ The approval granted in respect of a ~~filament~~-light source pursuant to this Regulation may be withdrawn if the requirements are not met or if a ~~filament~~ light source bearing the approval mark does not conform to the type approved.
- ~~56.2.~~ If a Contracting Party to the Agreement applying this Regulation withdraws an approval it has previously granted, it shall forthwith so notify the other Contracting Parties applying this Regulation, by means of a communication form conforming to the model in Annex 2 to this Regulation.

## **67. Production definitively discontinued**

If the holder of the approval completely ceases to manufacture a type of filament light source approved in accordance with this Regulation, he shall so inform the Type Approval Authority which has granted the approval. Upon receiving the relevant communication, that Type Approval Authority shall inform thereof the other Parties to the 1958 Agreement applying this Regulation by means of a communication form conforming to the model in Annex 2 to this Regulation.

## **78. Names and addresses of the Technical Services responsible for conducting approval tests and of Type Approval Authorities**

The Parties to the 1958 Agreement which apply this Regulation shall communicate to the United Nations secretariat the names and addresses of the Technical Services responsible for conducting approval tests and of the Type Approval Authorities which grant approval and to which forms certifying approval or extension or refusal or withdrawal of approval, or production definitively discontinued issued in other countries, are to be sent.

## **89. Transitional provisions**

- ~~89.1.~~ Approvals granted under the preceding series of amendments shall remain valid, except that for conformity of production, current production filament light sources shall comply with the requirements of the latest series of amendments starting 12 months from the date of application of this amendment.<sup>11</sup>
- ~~89.2.~~ The correspondence between the former designations and the new ones is indicated in the following table:

---

<sup>11</sup> The amended text of this paragraph was introduced by Supplement 14 to the 03 series of amendments. This supplement entered into force on 3 September 1997 and it also introduced in the text of the Regulation new paragraphs 2.3.3. and 3.73.4. and in Annex 1 new sheets HIR1 and PY27/7W.

<i>Old designations</i>	<i>New designations in the 03 series of amendments</i>
P25-1	P21W
P25-2	P21/5W
R19/5	R5W
R19/10	R10W
C11	C5W
C15	C21W
T8/4	T4W
W10/5	W5W
W10/3	W3W

## Annex 1

### Sheets\* for filament light sources and their LED replacement light sources

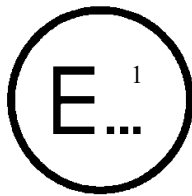
The sheets of the relevant ~~filament~~ light source category and the group in which this category is listed with restrictions on the use of this category shall apply as incorporated in Resolution [R.E.45] or its subsequent revisions, applicable at the time of application for type approval of the ~~filament~~ light source.

-

## Annex 2

### Communication

(Maximum format: A4 (210 x 297 mm))



issued by:

Name of administration

.....  
.....  
.....

Concerning:<sup>2</sup> Approval granted  
Approval extended  
Approval refused  
Approval withdrawn  
Production definitively discontinued

of a type of filament light source pursuant to Regulation No. 37

Approval No. .... Extension No. ....

Approval Code .....

1. Trade name or mark of the filament light source : .....
2. Manufacturer's name for the type of filament light source : .....

\* From [date] onwards, the sheets for filament light sources, the list and groups of filament light source categories with their restrictions on the use and their sheet numbers are incorporated in Resolution [R.E.45] (ECE/TRANS/WP.29/2016/1111127)

<sup>1</sup> Distinguishing number of the country which has granted/extended/refused/withdrawn approval (see approval provisions in the Regulation).

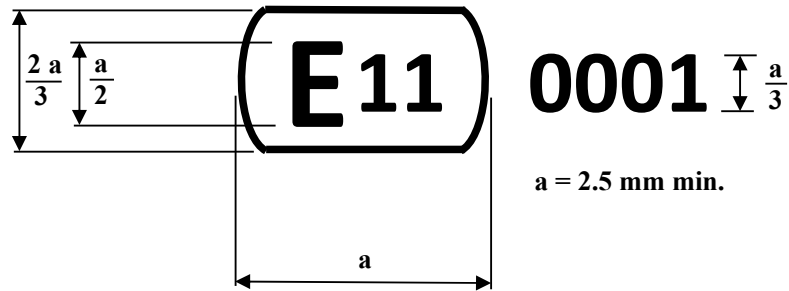
<sup>2</sup> Strike out what does not apply.

3. Manufacturer's name and address: .....
4. If applicable, name and address of manufacturer's representative: .....  
.....
5. Submitted for approval on: .....
6. Technical Service responsible for conducting approval tests: .....  
.....
7. Date of report issued by that Service: .....
8. Number of report issued by that Service:.....
9. Concise description:.....  
Category of ~~filament~~ light source: .....  
Rated voltage: .....  
Rated wattage of filament light source: .....  
Colour of the light emitted: White/selective-yellow/amber/red<sup>2</sup>  
Colour coating on glass bulb: yes/no<sup>2</sup>  
Halogen filament light source: yes/no<sup>2</sup>  
LED replacement light source: yes/no<sup>2</sup>  
Electrical or electronic controls not integrated with the LED replacement light source:  
..... yes/no<sup>2</sup>
10. Position of the approval mark: .....
11. Reason(s) for extension (if applicable): .....
12. Approval granted/refused/extended/withdrawn:<sup>2</sup>
13. Place:.....
14. Date:.....
15. Signature:.....
16. The following documents, bearing the approval mark shown above, are available on request: .....

### Annex 3

#### Example of the arrangement of the approval mark

(See paragraph 2.4.3)



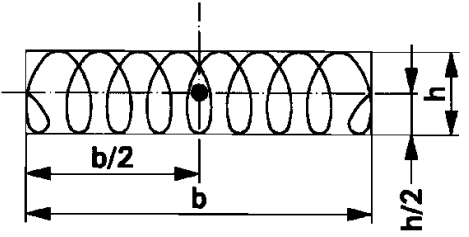
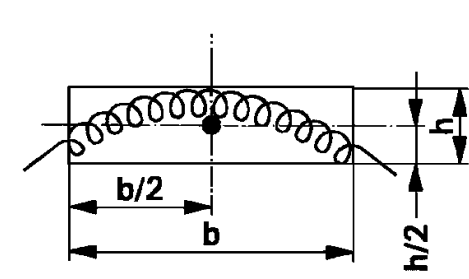
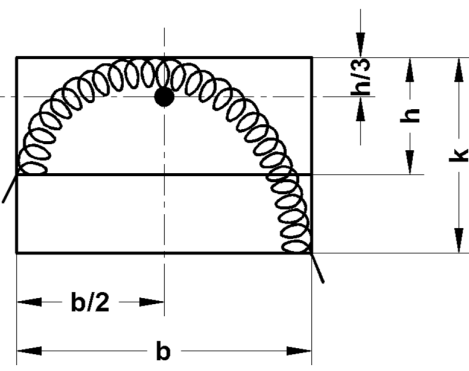
The above approval mark affixed to a ~~filament~~ light source indicates that the light source has been approved in the United Kingdom (E 11) under the approval code 0001.

## Annex 4

### Luminous centre and shapes of filaments

Unless otherwise stated on the filament light source data sheets, this annex is applicable to the determination of the luminous centre of different filament shapes.

The position of the luminous centre depends upon the filament shape.

No.	Filament shapes	Observations
1		<p>With <math>b &gt; 1.5 h</math>, the deviation of the filament axis with respect to a plane normal to the reference axis shall not exceed <math>15^\circ</math></p>
2		<p>Only applicable to filaments which can be inscribed in a rectangle of <math>b &gt; 3h</math>.</p>
3		<p>Applicable to filaments which can be inscribed in a rectangle of <math>b \leq 3h</math>, whereby, however, <math>k &lt; 2h</math>.</p>

The side lines of the circumscribed rectangles in Nos. 2 and 3 are parallel and perpendicular, respectively, to the reference axis.

The luminous centre is the intersection of the dash-dot lines.

The drawings are intended only to demonstrate the essential dimensions.

## Annex 5

### Checking the colour of filament light sources

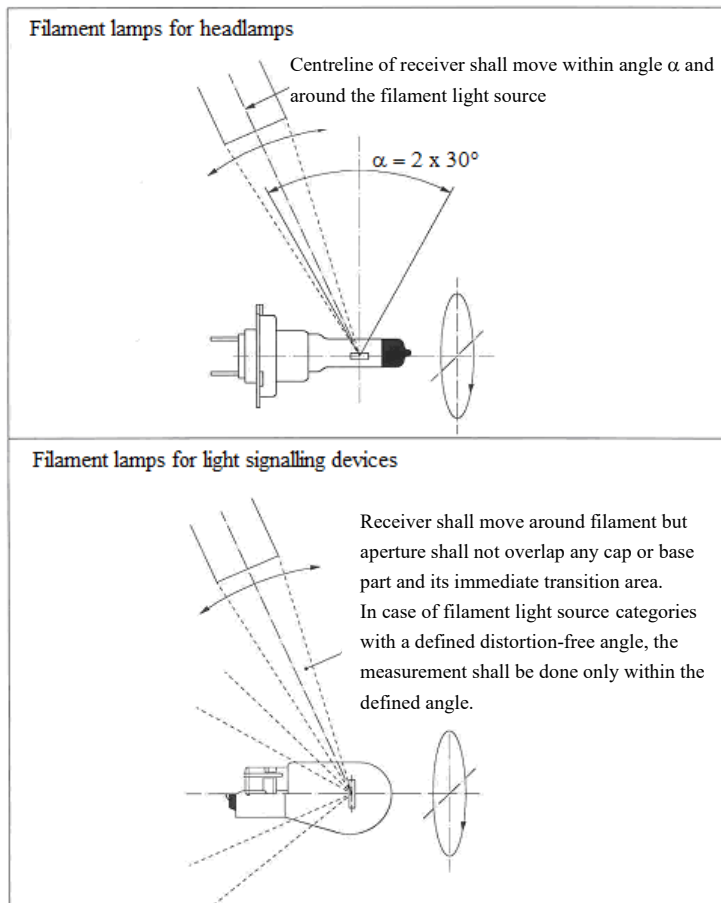
1. General
  - 1.1. Measurements shall be made on finished light sources. Filament light sources with secondary (outer) bulb acting as colour filter shall be handled as filament light source with primary bulb.
  - 1.2. Tests shall be made at an ambient temperature of  $23\text{ }^{\circ}\text{C} \pm 5\text{ }^{\circ}\text{C}$ .
  - 1.3. Tests shall be made at test voltage(s) as specified in the relevant filament light source data sheet.
  - 1.4. Filament light sources shall be measured preferably in the normal operating position. In case of dual filament light sources the high wattage (major or driving beam) filament shall be operated only.
  - 1.5. Before starting a test, the stabilisation of the temperature of the filament light source shall be obtained by operating at test voltage for 10 minutes. In the case of filament light sources, for which more than one test voltage is specified, the relevant test voltage value shall be used for achieving stabilization.
2. Colour
  - 2.1. Colour tests shall be made with a measuring system that determines CIE trichromatic co-ordinates of the received light with an accuracy of  $\pm 0.002$ .
  - 2.2. The trichromatic coordinates shall be measured with a colourimetric receiver integrating over a right circular cone subtending an angle of minimum  $5^{\circ}$  and maximum  $15^{\circ}$ , at the centre of the filament.
  - 2.3. Measuring directions (see the figure below).
    - 2.3.1. Initially, the receiver shall be positioned perpendicular to the filament light source axis and to the filament axis (or plane in case of a curved filament). After measurement the receiver shall be moved around the filament light source in bi-directional steps of about  $30^{\circ}$  until the area specified in paragraphs 2.3.2. or 2.3.3. is covered. In each position a measurement shall be made. However, no measurement shall be made when:
      - (a) The centreline of the receiver coincides with the filament axis; or
      - (b) The line of sight between the receiver and the filament is blocked by opaque (non-transmitting) parts of the light source, such as lead wires or a second filament, if any.
    - 2.3.2. For filament light sources used in headlamps, measurements shall be made in directions around the filament light source with the centreline of the receiver aperture located within an angle  $\pm 30^{\circ}$ , from the plane perpendicular to the filament light source axis with the origin in the centre of the filament. In case of filament light sources with two filaments, the centre of the driving beam filament shall be taken.

- 2.3.3. For filament light sources used in light signalling devices, measurements shall be made in directions around the filament light source with exception of:
- (a) The area claimed or covered by the cap of the filament light source; and
  - (b) The immediate transition area along the cap.

In case of filament light sources with two filaments, the centre of the major filament shall be taken.

In case of filament light source categories with a defined distortion-free angle, the measurement shall be done only within the defined angle.

Figure illustrating the positions of colourimetric receiver





## Annex 46

### Method of measurement of electrical, photometrical and thermal characteristics of LED replacement light sources

LED replacement light sources shall be measured in still air at ambient temperature of  $(23 \pm 2)$  °C, and at an additional ambient temperature if indicated in the relevant data sheet of Annex 1.

1. Luminous flux
  - 1.1. A luminous flux measurement using an integrating method shall be made after 1 minute and after 30 minutes of operation.
  - 1.2. The luminous flux values, as measured after 30 minutes shall comply with the minimum and maximum requirements.—

Additionally, unless otherwise specified on the data sheet,

- (i) Either the luminous flux value measured after 30 minutes shall be in between 100 per cent and 80 per cent of the luminous flux value measured after 1 minute; or
  - (ii) The luminous flux value measured after 1 minute shall comply with the minimum and maximum requirements, and in addition the luminous flux value measured after 30 minutes shall not deviate by more than  $\pm 20$  per cent from the luminous flux value measured after 1 minute.
- 1.3. Measurements have to be carried out at relevant test voltage and at the minimum and maximum values of the relevant voltage range. Unless specified more tightly on the data sheet the following deviation of the luminous flux at the tolerance interval limits shall not be exceeded.

<i>Rated voltage</i>	<i>Min voltage</i>	<i>Max voltage</i>
6	6.0	7.0
12	12.0	14.0
24	24.0	28.0
Corresponding luminous flux tolerance*	$\pm 30\%$	$\pm 15\%$

\* The maximum luminous flux deviation at the tolerance limits is calculated by using the measured flux at test voltage as reference. **The luminous flux behaviour shall be substantially uniform within the voltage range specified in the table.**

2. Normalized luminous intensity/ cumulative luminous flux
  - 2.1. The luminous intensity measurements shall be started after 30 minutes of operation.
  - 2.2. Measurements have to be carried out at relevant test voltage.
  - 2.3. Normalized luminous intensity of a test sample is calculated by dividing the luminous intensity distribution as measured under paragraph 2.1. and 2.2. of this annex by the luminous flux as determined under paragraph 1.2. of this annex.
3. Colour

The colour of the light emitted as measured under the conditions as described paragraph in 1.1. of this annex shall be within the required colour boundaries.

4. Power consumption
  - 4.1. A power consumption measurement shall be made under the same conditions as described in paragraph 1.1 of this annex using the requirements of paragraph 3.4.1.3. of this Regulation.
  - 4.2. Power consumption measurements shall be carried out at relevant test voltage and test voltage range, if specified in the relevant data sheet of Annex 1.
  - 4.3. Values obtained shall comply with the minimum and maximum requirements of the relevant data sheet.
5. Electrical current
  - 5.1. An electrical current measurement shall be made under the same conditions as described in paragraph 1.1 of this annex using the requirements of paragraph 3.4.1.3. of this Regulation.
  - 5.2. Electrical current measurements shall be carried out at relevant test voltage and test voltage range, if specified in the relevant data sheet of Annex 1.
  - 5.3. Values obtained shall comply with the minimum and maximum requirements of the relevant data sheet.
6. Cap temperature
  - 6.1. A cap temperature measurement shall be made under the same conditions as described in paragraph 1.1 of this annex.
  - 6.2. Measurements shall be carried out at relevant test voltage.
  - 6.3. The cap temperature shall be determined at the location indicated in the light source category data sheet.

## Annex 67

### Minimum requirements for quality control procedures by the manufacturer

1. General

The conformity requirements shall be considered satisfied from a photometric, geometrical, visual and electrical standpoint if the specified tolerances for production ~~filament~~-light sources in the relevant data sheet of Annex 1 and the relevant data sheet for the caps are met.
2. Minimum requirements for verification of conformity by the manufacturer

For each type of ~~filament~~-light source the manufacturer or the holder of the approval mark shall carry out tests, in accordance with the provisions of this Regulation, at appropriate intervals.
- 2.1. Nature of tests

Tests of conformity of these specifications shall cover their photometric, geometrical and optical characteristics.
- 2.2. Methods used in tests
  - 2.2.1. Tests shall generally be carried out in accordance with the methods set out in this Regulation.
  - 2.2.2. The application of paragraph 2.2.1. requires regular calibration of test apparatus and its correlation with measurements made by a Type Approval Authority.
- 2.3. Nature of sampling

Samples of ~~filament~~-light sources shall be selected at random from the production of a uniform batch. A uniform batch means a set of ~~filament~~-light sources of the same type, defined according to the production methods of the manufacturer.
- 2.4. Inspected and recorded characteristics

The ~~filament~~-light sources shall be inspected and test results recorded following the grouping of characteristics as listed in Annex 78, Table 1.
- 2.5. Criteria governing acceptability

The manufacturer or the holder of approval is responsible for carrying out a statistical study of the test results in order to meet the specifications laid down for verification of conformity of production in paragraph 45.1. of this Regulation.

Compliance shall be assured if the level of acceptable non-compliance per grouping of characteristics given in Table 1 of Annex 78 is not exceeded. This means that the number of ~~filament~~-light sources not complying with the requirement for any grouping of characteristics of any ~~filament~~-light source type does not exceed the qualifying limits in the relevant Tables 2, 3 or 4 of Annex 78.

*Note:* Each individual ~~filament~~-light source requirement shall be considered as a characteristic.

## Annex 78

### Sampling and compliance levels for manufacturer test records

Table 1  
**Characteristics**

<i>Grouping of characteristics</i>	<i>Grouping* of test records between <del>filament</del>-light source types of the same category and of the same light producing technology</i>	<i>Minimum 12 monthly sample per grouping*</i>	<i>Acceptable level of non-compliance per grouping of characteristics (%)</i>
Marking, legibility and durability	All types with the same external dimensions	315	1
<del>Bulb quality</del>	<del>All types with the same bulb</del>	<del>315</del>	<del>1</del>
<del>Colour of the bulb</del>	<del>All types (emitting red and amber light) of the same category and colour technology</del>	<del>20</del>	<del>1</del>
External <del>filament</del> -light source dimensions (excluding cap/base)	All types of the same category	200	1
Dimensions of caps and bases	All types of the same category	200	6.5
Dimensions related to internal elements**	All <del>filament</del> -light sources of one type	200	6.5
Initial readings, watts and lumens <del>and for LED replacement light sources also colour</del> **	All <del>filament</del> -light sources of one type	200	1
<i>Additional characteristics of filament light sources</i>			
<del>Bulb quality</del>	<del>All types with the same bulb</del>	<del>315</del>	<del>1</del>
<del>Colour of the bulb</del>	<del>All types (emitting red and amber light) of the same category and colour technology</del>	<del>20</del>	<del>1</del>

<i>Grouping of characteristics</i>	<i>Grouping* of test records between filament-light source types of the same category and of the same light producing technology</i>	<i>Minimum 12 monthly sample per grouping*</i>	<i>Acceptable level of non-compliance per grouping of characteristics (%)</i>
Colour endurance test	All filament light sources (emitting red, amber and white light) of one colour coating technology	20***	1
<b>Additional characteristics of LED replacement light sources</b>			
Normalised luminous intensity or cumulative luminous flux distribution	All LED replacement light sources of one type	20	6.5
Electrical current****	All LED replacement light sources of one type	20	1
For the notes see below and/or next page			

\* The assessment shall in general cover series production ~~filament~~-light sources from individual factories. A manufacturer may group together records concerning the same type from several factories, provided these operate under the same quality system and quality management.

\*\* In case a filament light source has more than one inner element (filament, shield) the grouping of characteristics (dimensions, watts, lumens) applies to each element separately. **In case a LED replacement light source has more than one light output function the grouping of characteristics (dimensions, power, colour and luminous flux) applies to each element and light emitting surface separately.**

\*\*\* Representative distribution over categories of filament light sources using the same colour coating technology and finishing, and that comprises filament light sources of the smallest and the largest diameter of the outer bulb, each at the highest rated wattage.

\*\*\*\* LED replacement light sources only.

Qualifying limits for acceptance based on different numbers of test results for each grouping of characteristics are listed in Table 2 as maximum number of non-compliance. The limits are based on an acceptable level of 1 per cent of non-compliance, assuming an acceptance probability of at least 0.95.

Table 2\*

<i>Number of test results of each characteristics</i>	<i>Qualifying limits for acceptance</i>
20	0
21 - 50	1
51 - 80	2
81 - 125	3
126 - 200	5
201 - 260	6
261 - 315	7
316 - 370	8
371 - 435	9
436 - 500	10
501 - 570	11
571 - 645	12
646 - 720	13
721 - 800	14
801 - 860	15
861 - 920	16
921 - 990	17
991 - 1,060	18
1,061 - 1,125	19
1,126 - 1,190	20
1,191 - 1,249	21

\* In accordance with ISO 2859-1:1999 "Sampling procedures for inspection by attributes - Part 1: Sampling schemes indexed by acceptance quality limit (AQL) for lot-by-lot inspection" including Technical Corrigendum 1:2001.

Qualifying limits for acceptance based on different numbers of test results for each grouping of characteristics are listed in Table 3 given as maximum number of non-compliance. The limits are based on an acceptable level of 6.5 per cent of non-compliance for filament light sources and 5 per cent for LED replacement light sources, assuming an acceptance probability of at least 0.95.

Table 3

<i>Number of filament-light sources in records</i>	<i>Qualifying limit</i>	<i>Number of filament-light sources in records</i>	<i>Qualifying limit</i>	<i>Number of filament-light sources in records</i>	<i>Qualifying limit</i>
- -20	3				
21 - 32	5				
33 - 50	7				
51 - 80	10	500 - 512	44		
81 - 125	14	513 - 526	45	881 - 893	72
126 - 200	21	527 - 540	46	894 - 907	73
201 - 213	22	541 - 553	47	908 - 920	74
214 - 227	23	554 - 567	48	921 - 934	75
228 - 240	24	568 - 580	49	935 - 948	76
241 - 254	25	581 - 594	50	949 - 961	77
255 - 268	26	595 - 608	51	962 - 975	78
269 - 281	27	609 - 621	52	976 - 988	79
282 - 295	28	622 - 635	53	989 - 1,002	80
296 - 308	29	636 - 648	54	1,003 - 1,016	81
309 - 322	30	649 - 662	55	1,017 - 1,029	82
323 - 336	31	663 - 676	56	1,030 - 1,043	83
337 - 349	32	677 - 689	57	1,044 - 1,056	84
350 - 363	33	690 - 703	58	1,057 - 1,070	85
364 - 376	34	704 - 716	59	1,071 - 1,084	86
377 - 390	35	717 - 730	60	1,085 - 1,097	87
391 - 404	36	731 - 744	61	1,098 - 1,111	88
405 - 417	37	745 - 757	62	1,112 - 1,124	89
418 - 431	38	758 - 771	63	1,125 - 1,138	90
432 - 444	39	772 - 784	64	1,139 - 1,152	91
445 - 458	40	785 - 798	65	1,153 - 1,165	92
459 - 472	41	799 - 812	66	1,166 - 1,179	93
473 - 485	42	813 - 825	67	1,180 - 1,192	94
486 - 499	43	826 - 839	68	1,193 - 1,206	95
<del>500 - 512</del>		840 - 852	69	1,207 - 1,220	96
<del>513 - 526</del>	44	853 - 866	70	1,221 - 1,233	97
<del>527 - 540</del>	45	867 - 880	71	1,234 - 1,249	98
	46	<del>881 - 893</del>	<del>72</del>		

Qualifying limits for acceptance based on different numbers of test results for each grouping of characteristics are listed in Table 4 given as a percentage of the results, assuming an acceptance probability of at least 0.95.

Table 4

<i>Number of test results of each characteristic</i>	<i>Qualifying limits shown as a percentage of results. Acceptable level of 1% of non-compliance</i>	<i>Qualifying limits shown as a percentage of results. Acceptable level of 6.5% of non-compliance</i>
1,250	1.68	7.91
2,000	1.52	7.61
4,000	1.37	7.29
6,000	1.30	7.15
8,000	1.26	7.06
10,000	1.23	7.00
20,000	1.16	6.85
40,000	1.12	6.75
80,000	1.09	6.68
100,000	1.08	6.65
1,000,000	1.02	6.55



## Annex 89

### Minimum requirements for spot checks by the Type Approval Authority

1. General  
The conformity requirements shall be considered satisfied from a photometric, geometrical, visual and electrical standpoint if the specified tolerances for production ~~filament~~-light sources in the relevant data sheet of Annex 1 and the relevant data sheet for the caps are met.
2. The conformity of mass-produced ~~filament~~-light sources shall not be contested if the results are in agreement with Annex 9-10 to this Regulation.
3. Conformity shall be contested and the manufacturer requested to make the production meet the requirements if the results are not in agreement with Annex 9-10 to this Regulation.
4. If paragraph 3 of this annex is applied, a further sample of 250 ~~filament~~-light sources, selected at random from a recent production run, shall be taken within two months.

## Annex 910

### Compliance approved by spot check

Compliance approved or disapproved shall be decided according to the values in Table 1. For each grouping of characteristics filament-light sources shall be either accepted or rejected according to the values in Table 1.\*

Table 1

	1%**		6.5%**	
	<i>Accept</i>	<i>Reject</i>	<i>Accept</i>	<i>Reject</i>
First sample size: 125	2	5	11	16
If the number of non-conforming units is greater than 2 (11) and less than 5 (16) take a second sample size of 125 and assess the 250	6	7	26	27

\* The proposed scheme is designed to assess the compliance of filament-light sources to an acceptance level of non-compliance of 1 per cent and 6.5 per cent respectively and is based on the Double Sampling Plan for Normal Inspection in IEC Publication 60410: Sampling Plans and Procedures for Inspection by Attributes.

\*\* The filament-light sources shall be inspected and test results recorded following the grouping of characteristics as listed in Annex 87, Table 1.

---