



Economic and Social Council

Distr.: General
27 December 2017

Original: English

Economic Commission for Europe

Inland Transport Committee

World Forum for Harmonization of Vehicle Regulations

174th session

Geneva, 13-16 March 2018

Item 4.14.1 of the provisional agenda

1958 Agreement:

Proposal for amendments to the Consolidated Resolution

on the common specification of light source categories (R.E.5)

Proposal for Amendment 1 to the Consolidated Resolution on the common specification of light source categories (R.E.5)

Submitted by the Working Party on Lighting and Light-Signalling*

The text reproduced below was adopted by the Working Party on Lighting and Light-Signalling (GRE) at its seventy-eighth session (ECE/TRANS/WP.29/GRE/78, para. 16). It is based on ECE/TRANS/WP.29/GRE/2017/18 and Annex III to the report. It is submitted to the World Forum for Harmonization of Vehicle Regulations (WP.29) for consideration at its March 2018 session.

* In accordance with the programme of work of the Inland Transport Committee for 2016–2017 (ECE/TRANS/254, para. 159 and ECE/TRANS/2016/28/Add.1, cluster 3.1), the World Forum will develop, harmonize and update Regulations in order to enhance the performance of vehicles. The present document is submitted in conformity with that mandate.

Amendment 1 to the Consolidated Resolution on the common specification of light source categories (R.E.5)

The Status table, amend to read:

"Status table

This consolidated version of this Resolution contains all provisions and amendments adopted so far by the World Forum for Harmonization of Vehicle Regulations (WP.29) and is valid from the date as indicated in the following table until the date on which the next revision of this Resolution becomes valid:

Version of the Resolution	Date * as from which the version is valid	Adopted by WP.29		Clarification
		Session No.	Amendment document No.	
1 (Original)	2017-06-22	170	ECE/TRANS/WP.29/2016/111	Based upon Annexes 1 of Regulations: <ul style="list-style-type: none"> • No. 37, up to and including Supplement 44 • No. 99, up to and including Supplement 11 • No. 128, up to and including Supplement 5
[2]	[2018-xx-xx]	[174]	[ECE/TRANS/WP.29/2018/xx]	Amended details in sheets: C21W/2, H1/1, H3/1, H3/2, H4/4, H9/1, H11/2, H13/4, H14/1, H15/5, H20/3, H20/4, HIR2/1, HS6/1, P13W/3, P21W/1, P21/5W, P27/7W/3, PSX26W/3, R5W/1, R10W/1, T1.4W/1, W15/5W/1, W21/5W/1, WT21W/1

* This date is the date of adoption of the amendment to the Resolution by WP.29 or the date of entering into force of an amendment to Regulation No. 37, 99 or 128 adopted by AC.1 as a package with the amendment to the Resolution in the same session of WP.29.

”

Annex 1,

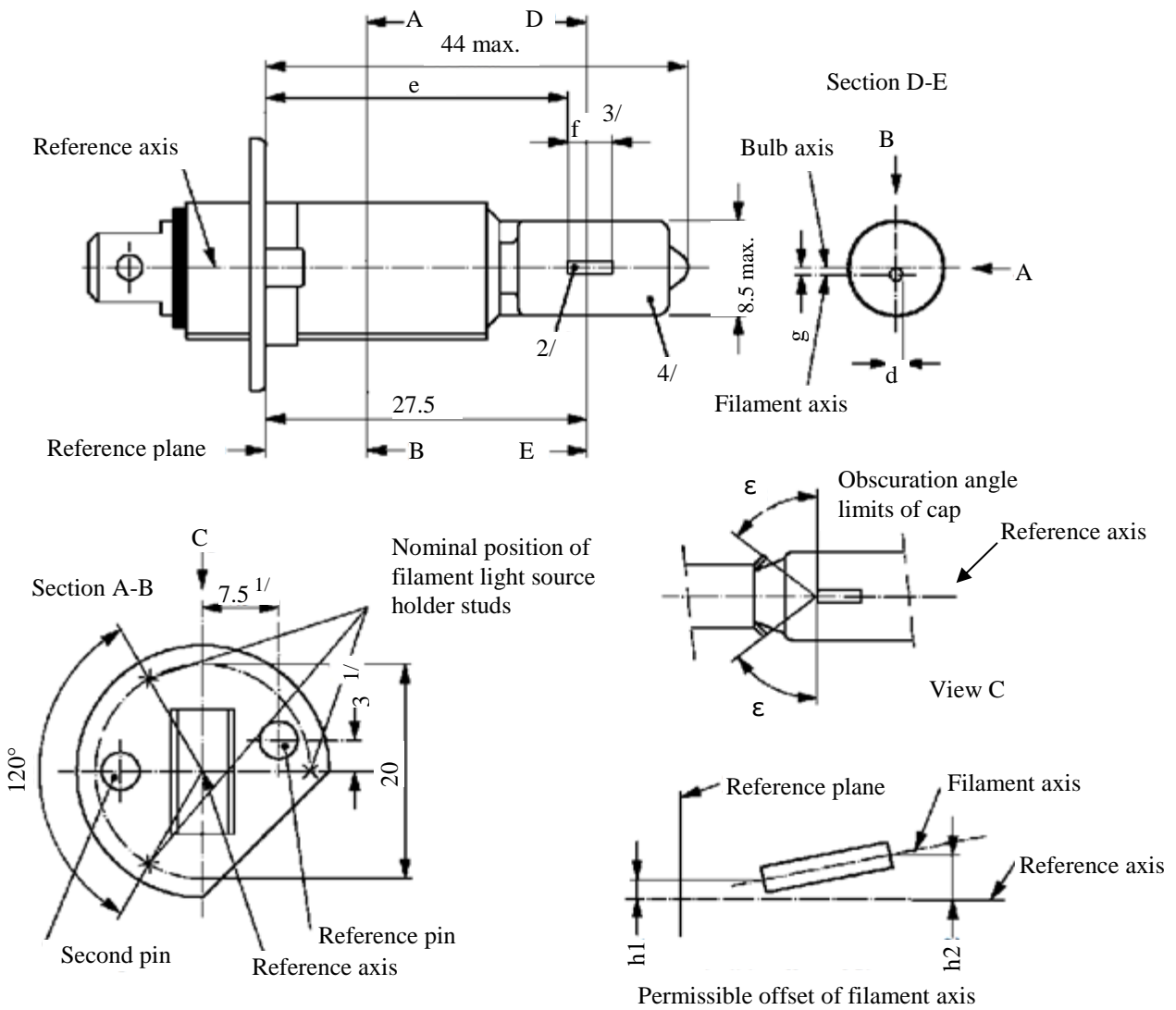
Sheet C21W/2, amend to read:

"Test procedure and requirements

1. The filament light source is placed in a holder (socket) capable of being so rotated through 360° about the reference axis that the front elevation is seen on the screen on to which the image of the filament is projected. The reference axis on the screen shall coincide with the centre of the filament light source. The central axis sought on the screen shall coincide with the centre of the filament light source length.
2. ..."

Sheet H1/1, amend to read:

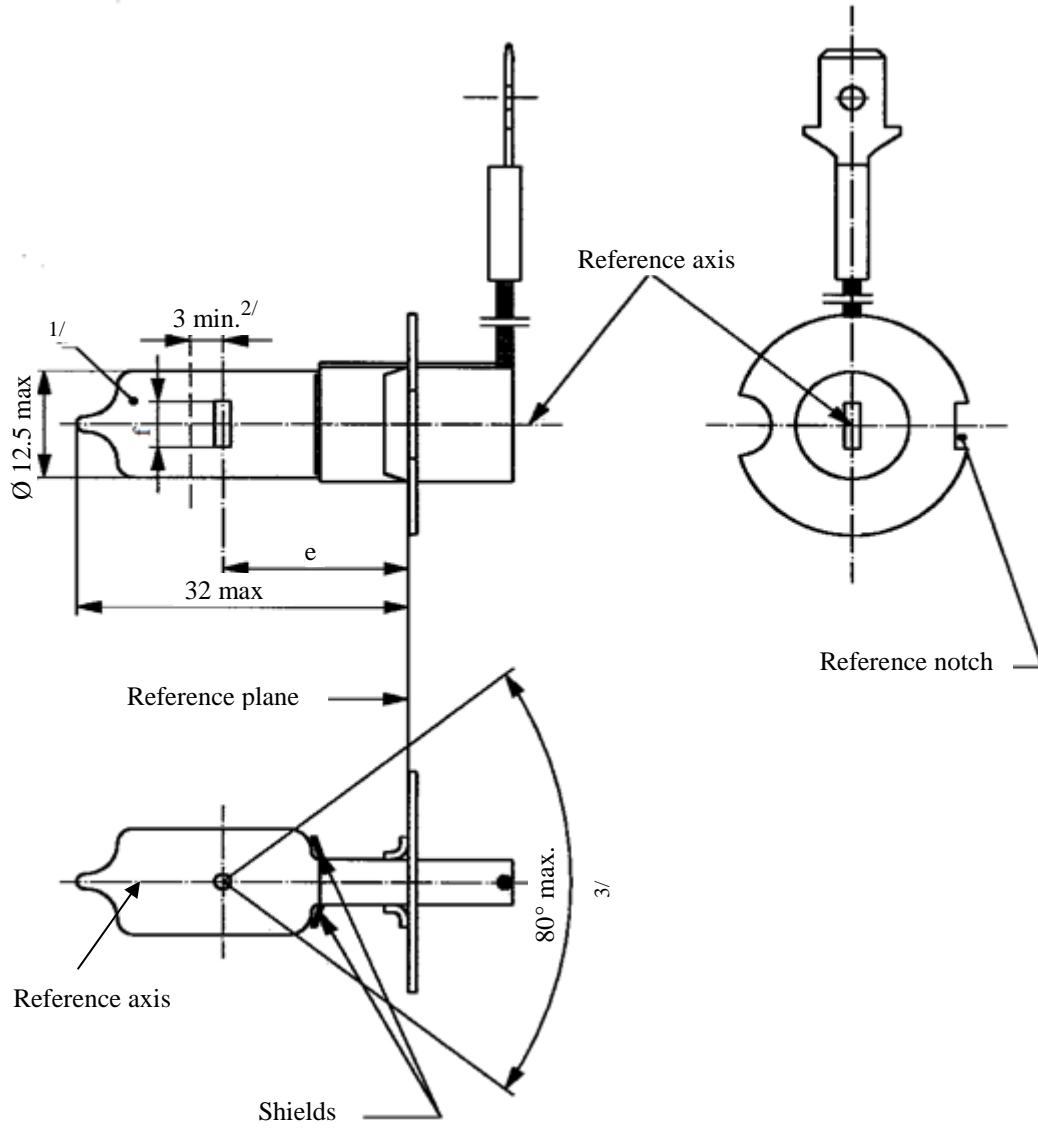
"



"

Sheet H3/1, amend to read:

"

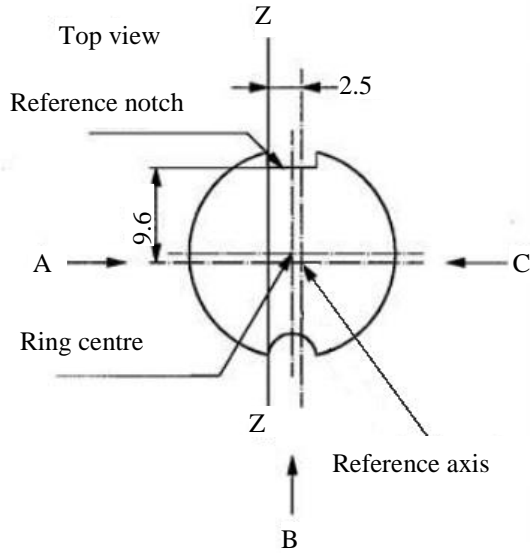


"

Sheet H3/2, amend to read:

"

Definition: Ring centre and reference axis^{4/}



"

Sheet H4/4, table, last row but two, amend to read:

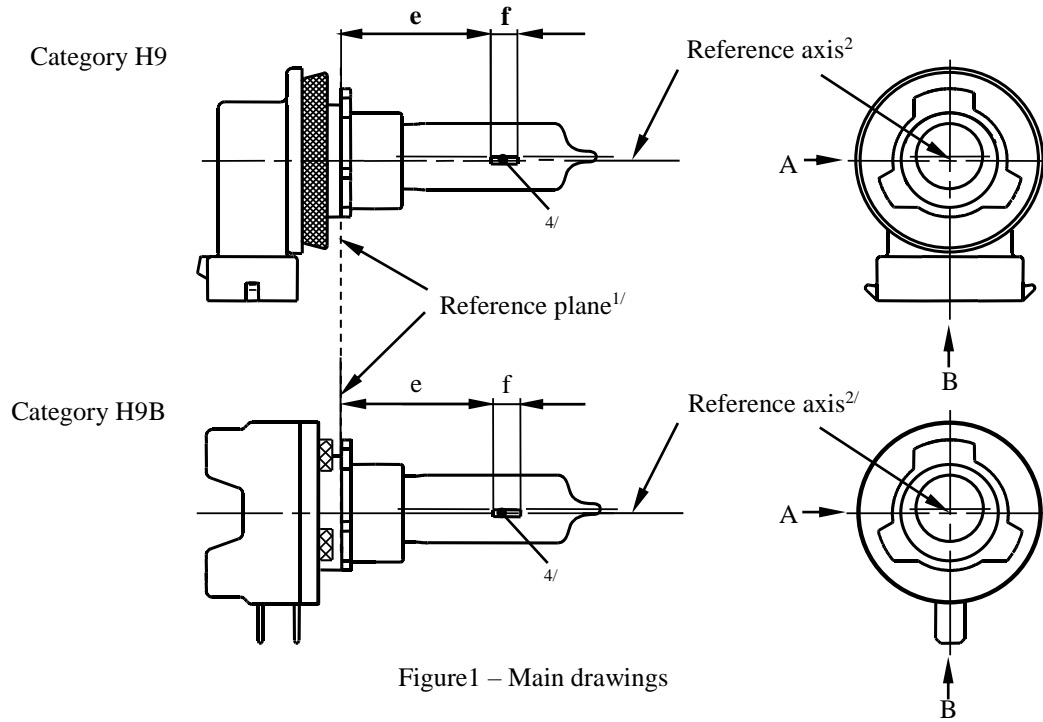
".....

...
I _C ^{11/, 12/}	5.5	5.25	±0.50	±0.80
...
...

"

Sheet H9/1, figure 1, amend to read:

"



Sheet H11/2, top right drawing, amend to read:

"

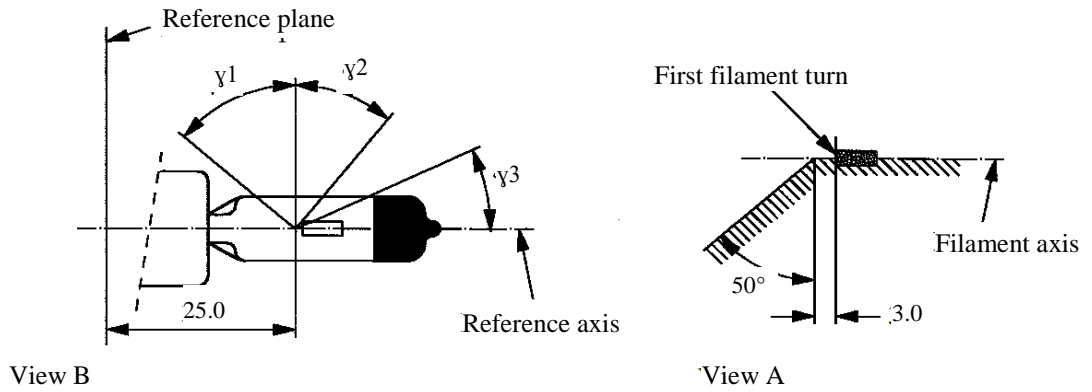


Figure 4 – Metal free zone⁸

Distortion free area⁶ and black top⁷

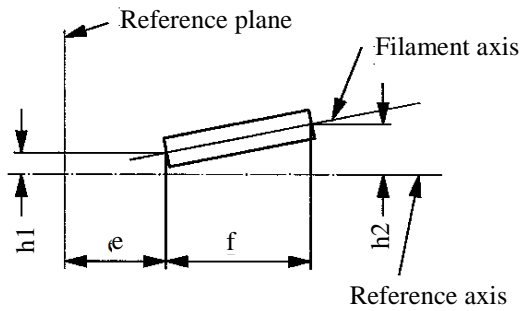


Figure 5 – Permissible offset of filament axis⁹

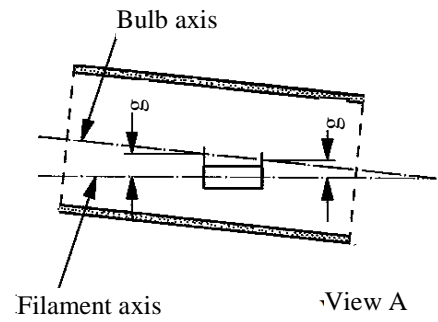


Figure 6 – Bulb eccentricity¹⁰

"

Sheet H13/4, rows m and n, amend to read:

"

Dimensions in mm		Tolerance	
		Filament light sources of normal production	Standard filament light source
...
m ^{11/}	0	±0.20	±0.13
n ^{11/}	0	±0.20	±0.13
...

"

Sheet H14/1, figure 1, amend to read:

"

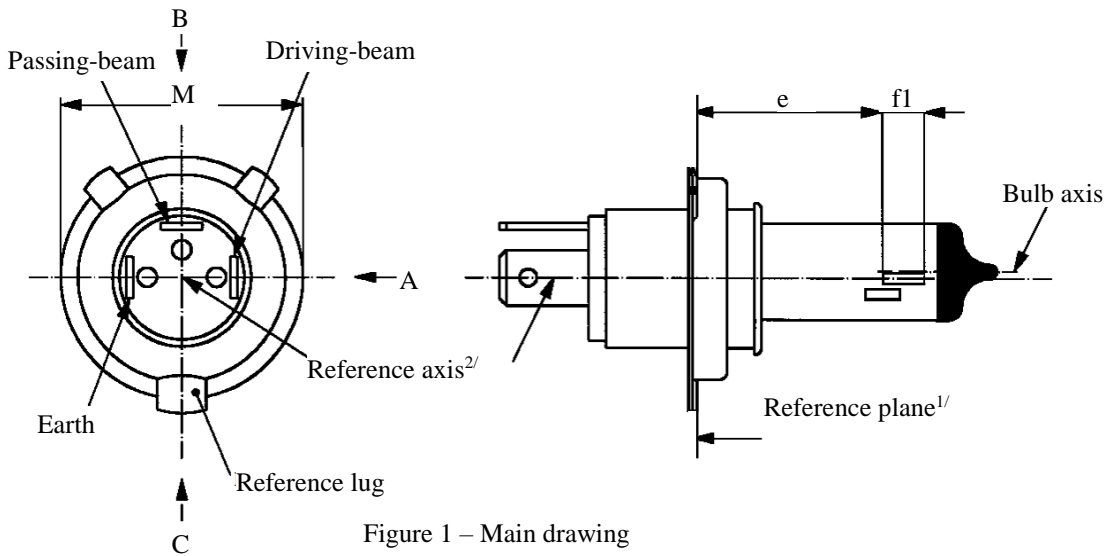


Figure 1 – Main drawing

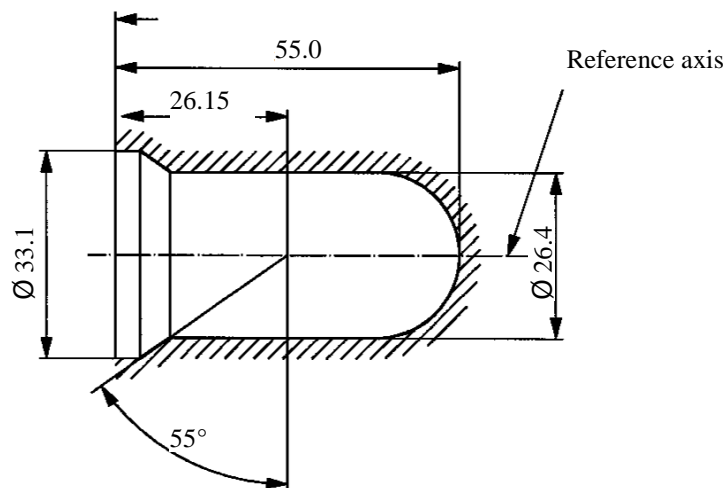


Figure 2 – Maximum filament light source outline³/

"

Sheet H15/5, note 10, amend to read:

"¹⁰ "e" denotes the distance from the reference plane to the beginning of the high wattage filament as defined above."

Sheet H20/3, note 8, amend to read:

"⁸ The ends of the filament are defined as the points where, when the viewing direction is direction A as shown in Figure 1 on sheet H20/1, the projection of the outside of the end turns crosses the filament axis."

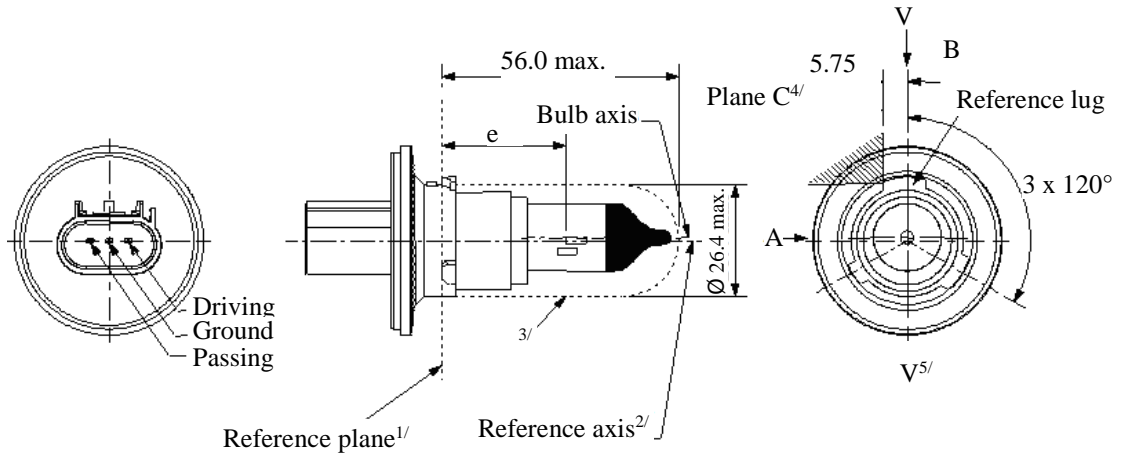
Sheet H20/4, last paragraph, amend to read:

"The ends of the filament as defined on sheet H20/3, note 8, shall lie between lines Z1 and Z2 and between Z3 and Z4."

Sheet HIR2/1, the drawing View B left bottom, replace "Reference axis" with "Filament axis".

Sheet HS6/1, figure 1, amend to read:

"



"

Sheet P13W/3, amend to read:

"...

The ends of the filament as defined on sheet P13W/2, footnote 5/, shall lie between Z1 and Z2 and between the lines Z3 and Z4.

..."

Sheet P21W/1, table, amend to read:

"...

Cap BA15s in accordance with IEC Publication 60061 (sheet 7004-11A-10) ²

..."

Sheet P21/5W/1, table, amend to read:

"...

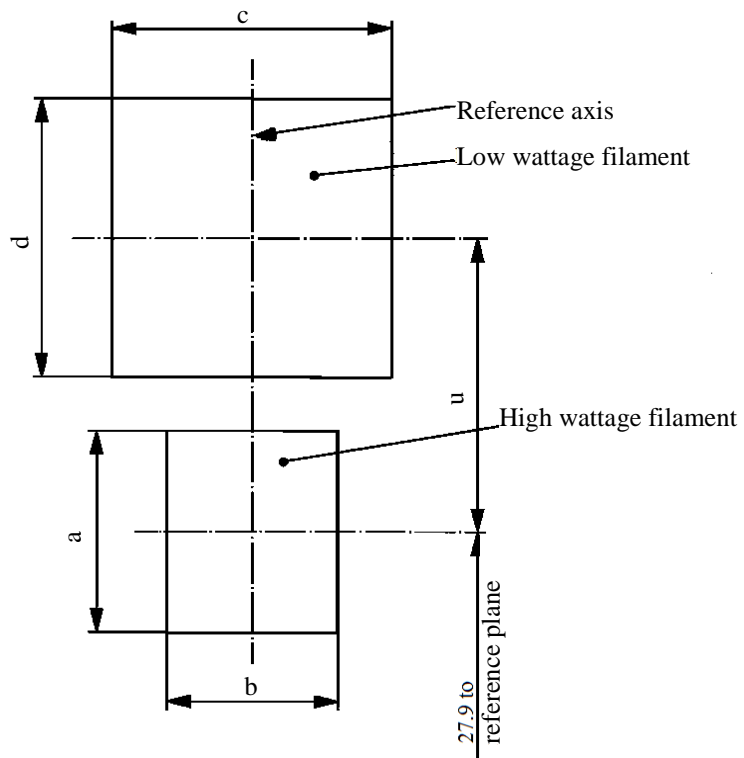
Cap BAY15d in accordance with IEC Publication 60061 (sheet 7004-11B-8)
--

..."

Sheet P27/7W/3, amend to read:

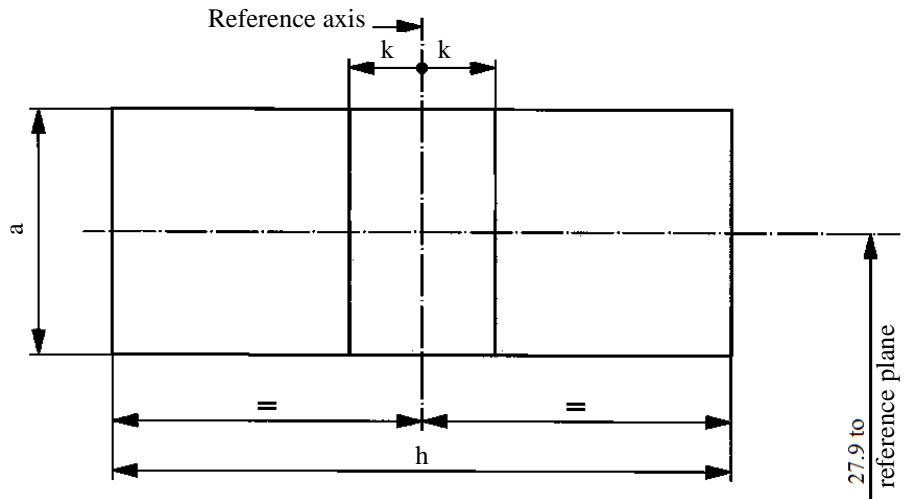
"

Side elevation



...

Front elevation



"

Sheet PSX26W/3, amend to read:

"The ends of the filament as defined on sheet PSX26W/2, footnote 5/, shall lie between Z1 and Z2 and between the lines Z3 and Z4."

Sheet R5W/1, table, amend to read:

"...

R5W: BA15s in accordance with IEC Publication 60061 (sheet 7004-11A-10)^{1/}

..."

Sheet R10W/1, table, amend to read:

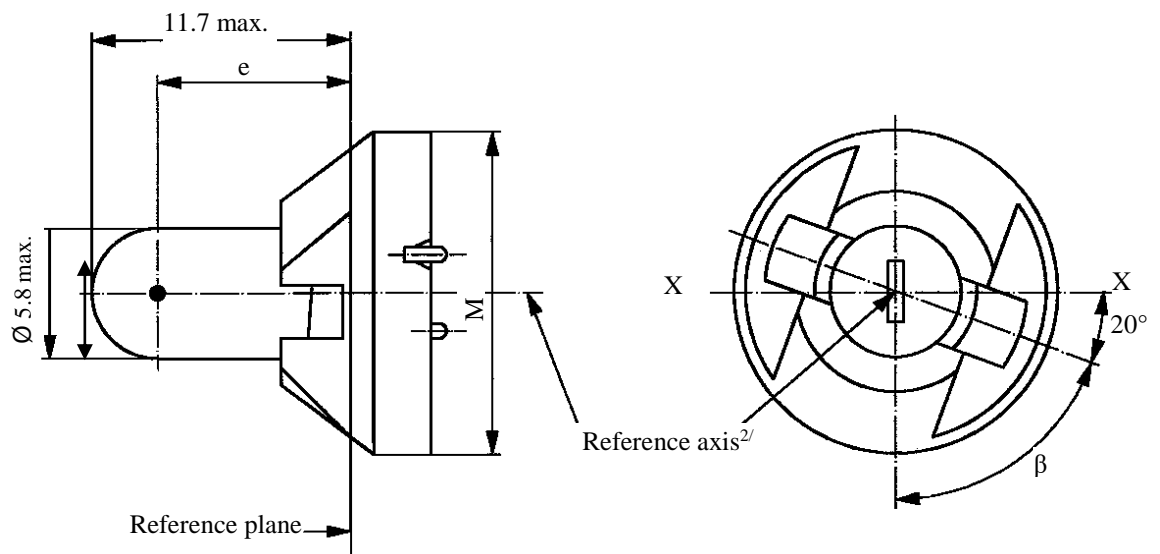
"...

R10W: BA15s in accordance with IEC Publication 60061 (sheet 7004-11A-10)^{1/}

..."

Sheet T1.4W/1, figure, amend to read:

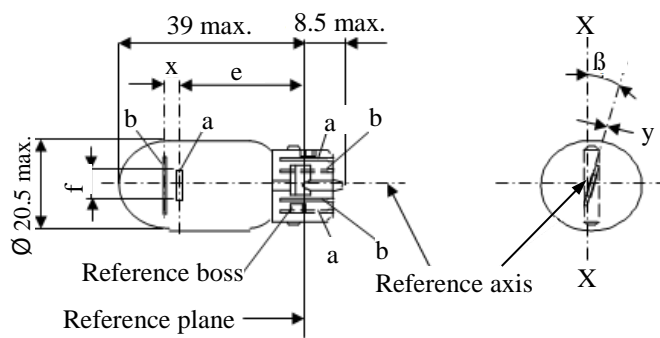
"



"

Sheet W15/5W/1, drawing, amend to read:

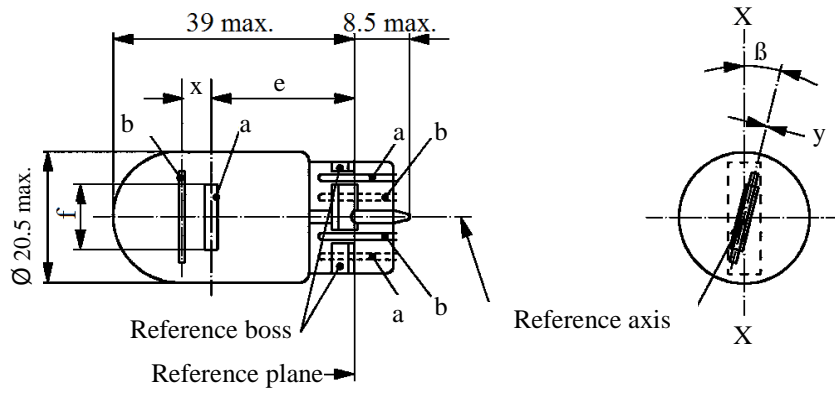
"



"

Sheet W21/5W/1, right drawing, amend to read:

"



"

Sheet WT21/W/1, note 2, amend to read:

"² Maximum lateral deviation of the filament centre from two mutually perpendicular planes both containing the reference axis and one containing the axis through the reference keys."

