

Transmitted by the GRB Expert Group on  
Regulation No. 51

Informal document **GRB-58-17**,  
(58th GRB, 2-4 September 2013,  
agenda item 3(a))

Deleted: 04

## **Proposal for the 03 series of amendments to Regulation No. 51 (Noise of M and N categories of vehicles)**

### **Submitted by the GRB Expert Group on Regulation 51**

The text reproduced below was prepared by the GRB Expert Group on Regulation 51 consolidating the proposed 03 series of amendments to UN Regulation No 51 at their fourth meeting in Brussels, July 4<sup>th</sup>.

This document is based on ECE/TRANS/WP.29/GRB/2012/8 including GRB-57-17 OICA amendments on the transitional provision, ECE-TRANS-WP.29-GRB-2013-05 modified ETRTO amendments for the use of the ISO 10844:2011 test track specifications, input from the GRB Expert group meeting, modifications reflecting the latest decisions of the EU Council. The modification to the text of ECE/TRANS/WP.29/GRB/2012/8 are marked in bold for new and strikethrough for deleted characters.

## I. Proposal

### Regulation No. 51

#### Uniform provisions concerning the approval of motor vehicles having at least four wheels with regard to their noise emissions

#### Contents

	<i>Page</i>
1. Scope .....	3
2. Definitions .....	3
3. Application for approval .....	6
4. Markings .....	6
5. Approval .....	6
6. Specifications .....	7
7. Modification and extension of approval of a vehicle type .....	10
8. Conformity of production .....	11
9. Penalties for non-conformity of production .....	11
10. Production definitively discontinued .....	11
11. Transitional provisions .....	12
12. Names and addresses of Technical Services responsible for conducting approval tests .....	12
and of Type Approval Authorities .....	12

#### Annexes

1. Communication .....	13
<b>Addendum to the communication form</b> .....	13
2. Arrangements of the approval mark .....	17
3. Methods and instruments for measuring the noise made by motor vehicles .....	18
Appendix: Measuring positions for vehicles in motion .....	28
<del>4. Classification of vehicles .....</del>	<del>31</del>
<del>5. 4 Silencing systems containing acoustically absorbing fibrous materials .....</del>	<del>33</del>
Appendix: Figure 3 .....	35
<del>6. 5 Compressed air noise .....</del>	<del>36</del>
Appendix: Figure 1 .....	37
<del>7. 6 Checks on conformity of production .....</del>	<del>38</del>
<del>8. 7 Specifications for the test site .....</del>	<del>39</del>
<del>9. Vehicle and test data pursuant to measurements Annex 3 .....</del>	<del>62</del>

10.	<b>8</b> Measuring method to evaluate compliance with the Additional Sound Emission Provisions .....	
	Appendix: Statement of Compliance.....	46
11.	<b>9</b> <b>Acoustic Vehicle Alerting System (AVAS) for hybrid electric and pure electric road transport vehicles (HEV and EV)</b> .....	49

## 1. Scope

This Regulation contains provisions on the sound emitted by motor vehicles of categories M and N<sup>1</sup> <sup>(make sure the footnote makes reference to R.E.3)</sup>. The specifications in this Regulation are intended to reproduce the sound levels which are generated by vehicles during normal driving in urban traffic.

## 2. Definitions

For the purpose of this Regulation,

- 2.1. "Approval of a vehicle" means the approval of a vehicle type with regard to noise;
- 2.2. "Vehicle type" means a category of motor vehicles which do not differ in such essential respects as:
- ~~2.2.1. The shape or materials of the bodywork (particularly the engine compartment and its soundproofing);~~
- ~~2.2.2. The length and width of the vehicle;~~
- ~~2.2.3. The type of engine (positive or compression ignition, two or four stroke, reciprocating or rotary piston), number and capacity of cylinders, number and type of carburettors or injection system, arrangement of valves, rated maximum power and corresponding engine speed(s), or the type of electric motor;~~
- ~~2.2.4. The transmission system, the number of gears and ratios;~~
- ~~2.2.5. The noise reduction system as defined in the following paragraphs 2.3. and 2.4.~~
- 2.2.1. **for vehicles tested according to Annex 3, paragraph 3.1.2.1.:**
- 2.2.1.1. **The shape or materials of the bodywork (particularly the engine compartment and its soundproofing);**  
**[The shape or materials of the engine compartment and its soundproofing;]**
- 2.2.1.2. **The type of engine (positive or compression ignition, two - or four-stroke, reciprocating or rotary piston), number and capacity of cylinders, number and type of carburettors or injection system, arrangement of valves or the type of electric motor;**
- 2.2.1.3. **rated maximum power and corresponding engine speed(s); however if the rated maximum power and the corresponding engine speed differs only due to different engine mappings, these vehicles may be regarded as from the same type;**
- 2.2.1.4. **the silencing system;**
- 2.2.2. **for vehicles tested according to Annex 3, paragraph 3.1.2.2.:**
- 2.2.2.1. **The shape or materials of the bodywork (particularly the engine compartment and its soundproofing);**

Formatted: Indent: First line: 0 cm

Deleted: 4

Deleted: 5

**[The shape or materials of the engine compartment and its soundproofing;]**

- 2.2.2.2. The type of engine (positive or compression ignition, two - or four-stroke, reciprocating or rotary piston), number and capacity of cylinders, type of injection system, arrangement of valves, rated engine speed (S), or the type of electric motor;
- 2.2.2.3. vehicles having the same type of engine and/or different overall gear ratios, may be regarded as vehicles of the same type;
- 2.2.2.4. however, if the above differences provide for different target conditions, as described in 3.1.2.2 of Annex 3, these differences are to be considered as a change of type;

**2.2.2.5 [China to propose a definition for GVW]**

- ~~2.2.6. Notwithstanding the provisions of paragraphs 2.2.2. and 2.2.4., vehicles other than those in categories M<sub>1</sub> and N<sub>1</sub><sup>†</sup> having the same type of engine and/or different overall gear ratios, may be regarded as vehicles of the same type. However, if the above differences provide for a different test method, these differences are to be considered as a change of type.~~
- ~~2.3. "Noise reduction system" means a complete set of components necessary for limiting the noise made by a motor vehicle and its exhaust;~~
- ~~2.4. "Noise reduction systems of different types" means noise reduction systems which differ in such essential respects as:~~
- ~~2.4.1. That their components as specified in paragraph 4.1., bear different trade names or marks;~~
- ~~2.4.2. That the characteristics of the materials constituting a component are different or that the components differ in shape or size, a change in the plating procedure (galvanization, aluminium coating, etc.) is not deemed to produce a difference of type;~~
- ~~2.4.3. That the operating principles of at least one component are different;~~
- ~~2.4.4. That their components are assembled differently;~~
- ~~2.4.5. That the number of the intake and/or exhaust silencers is different.~~
- ~~2.5. "Noise reduction system component" means one of the individual constituent parts whose assembly constitutes the noise reduction system.~~
- ~~These components are, in particular: the exhaust pipings, the expansion chamber(s), the silencer(s) proper.~~
- ~~2.5.1. The air filter is considered as a component only if its presence is essential to ensure observance of the prescribed sound level limits.~~
- ~~2.5.2. Manifolds are not considered components of the noise reduction system.~~
- 2.6. "Maximum mass" means the technically permissible maximum mass declared by the vehicle manufacturer (this mass may be greater than the maximum mass authorized by the national administration).

**"Technically permissible maximum laden mass" (M) means the maximum mass allocated to a vehicle on the basis of its construction features and its design performances; the technically permissible laden**

**mass of a trailer or of a semi-trailer includes the static mass transferred to the towing vehicle when coupled;**

- 2.7. "~~Rated engine~~ **maximum net power**" ( $P_n$ ) means the engine power expressed in kW (ECE) and measured by the method pursuant to Regulation No. 85.
- 2.8. "*Mass of a vehicle in running order*" means the mass of an unladen vehicle with bodywork, and with coupling device in the case of a towing vehicle, or the mass of the chassis with cab if the manufacturer does not fit the bodywork and/or coupling device, including coolant, oils, 90 per cent of fuel, 100 per cent of other liquids except used waters, tools, spare wheel, driver (75 kg) and, for buses and coaches, the mass of the crew member (75 kg) if there is a crew seat in the vehicle, **according to 2.2.5.4 of the Consolidated Resolution R.E.3**.
- 2.9. "*Rated engine speed, S*" means the declared engine speed in  $\text{min}^{-1}$  (rpm) at which the engine develops its rated maximum net power pursuant to Regulation No. 85.
- If the rated maximum net power is reached at several engine speeds, the highest engine speed shall be used.
- 2.10. "*Power to mass ratio index (PMR)*" means a numerical quantity (see annex 10, paragraph 3.1.2.1.1.) with no dimension used for the calculation of acceleration.
- 2.11. "*Reference point*" means a point which is defined as follows:
- 2.11.1. Category  $M_1, N_1$ :
- For front engine vehicles: the front end of the vehicle;
  - For mid engine vehicles: the centre of the vehicle;
  - For rear engine vehicles: the rear end of the vehicle.
- 2.11.2. Category  $M_2, M_3, N_2, N_3$ :
- The border of the engine closest to the front of the vehicle.
- 2.12. "*Engine*" means the power source without detachable accessories.
- 2.13. "*Target acceleration*" means acceleration at a partial throttle condition in urban traffic and is derived from statistical investigations.
- 2.14. "*Reference acceleration*" means the required acceleration during the acceleration test on the test track.
- 2.15. "*Gear ratio weighting factor k*" means a dimensionless numerical quantity used to combine the test results of two gear ratios for the acceleration test and the constant speed test.
- 2.16. "*Partial power factor  $k_p$* " means a numerical quantity with no dimension used for the weighted combination of the test results of the acceleration test and the constant speed test for vehicles.
- 2.17. "*Pre-acceleration*" means application of acceleration control device prior to AA' for the purpose of achieving stable acceleration between AA' and BB' - **as referred to in figure 1 to Appendix 1 to Annex 3;**
- 2.18. "*Locked gear ratios*" means the control of transmission such that the transmission gear cannot change during a test.

Deleted: UNECE

Deleted: UNECE

Deleted: of the UNECE

Deleted: UNECE

- 2.19. **"Design family of silencing system or silencing system components" means a group of silencing systems or components thereof in which all of the following characteristics are the same:**

**[Needs clarification that this definition refers to exhaust silencers. Should be moved behind 2.21]**

Silencing systems or components thereof belong to the same design family if all of the following characteristics are the same:

- (a) the presence of net gas flow of the exhaust gases through the absorbing fibrous material when in contact with that material;
- (b) the type of the fibres;
- (c) where applicable, binder material specifications;
- (d) average fibre dimensions;
- (e) minimum bulk material packing density in kg/m<sup>3</sup>;
- (f) maximum contact surface between the gas flow and the absorbing material;

~~(a) The exhaust gases in contact with the absorbing fibrous material have net gas flow through this material: (yes or no);~~

~~(b) The type of the fibres (e.g. basalt wool, biosil wool, glass wool, Etype wool, etc.);~~

~~(c) Binder material specifications (if applicable);~~

~~(d) Average fibre dimensions (thickness, length);~~

~~(e) Minimum bulk material packing density (kg/m<sup>3</sup>);~~

~~(f) Maximum contact surface between the gas flow and the absorbing material (e.g. perforation open area);~~

- 2.20. **"silencing system" means a complete set of components necessary for limiting the noise produced by an engine, its [intake and] exhaust;**

**[Needs review for completeness]**

- 2.21. **"silencing system of different types" means silencing systems which significantly differ in respect of at least one of the following:**

- (a) trade names or trademarks of their components;
- (b) the characteristics of the materials constituting their components, except for the coating of those components;
- (c) the shape or size of their components;
- (d) the operating principles of at least one of their components;
- (e) the assembly of their components;
- (f) the number of exhaust silencing systems or components;

- 2.22. **"replacement silencing system" means any part of the silencing system or its components intended for use on a vehicle, other than a part of the type fitted to this vehicle when submitted for type-approval pursuant to this Regulation;**

Formatted: Indent: First line: 0 cm

Deleted: and

Formatted: Indent: First line: 0 cm

- 2.23. "Acoustic Vehicle Alerting System" (AVAS) means systems for hybrid electric and electric road transport vehicles which provide sound to signal the vehicle's presence to pedestrians and other road users.

### 3. Application for approval

- 3.1. The application for approval of a vehicle type with regard to noise shall be submitted by its manufacturer or by his duly accredited representative.
- 3.2. It shall be accompanied by the under mentioned documents and the following particulars in triplicate:
- 3.2.1. A description of the vehicle type with regard to the items mentioned in paragraph 2.2. above. The numbers and/or symbols identifying the engine type and the vehicle type shall be specified;
- 3.2.2. A list of the components, duly identified, constituting the noise reduction system;
- 3.2.3. A drawing of the assembled noise reduction system and an indication of its position on the vehicle;
- 3.2.4. Detailed drawings of each component to enable it to be easily located and identified, and a specification of the materials used.
- 3.3. In the case of paragraph 2.2.6. the single vehicle, representative of the type in question, will be selected by the Technical Service conducting approval tests, in accordance with the vehicle manufacturer, as that with the lowest mass in running order with the shortest length and following the specification laid down in paragraph 3.1.2.3.2.3. in Annex 3.
- 3.4. At the request of the Technical Service conducting approval tests, the vehicle manufacturer shall, in addition, submit a sample of the noise reduction system and an engine of at least the same cylinder capacity and rated maximum power as that fitted to the vehicle in respect of which type-approval is sought.
- 3.5. The competent authority shall verify the existence of satisfactory arrangements for ensuring effective control of the conformity of production before type approval is granted.

### 4. Markings

- 4.1. The components of the noise reduction system, excluding fixing hardware and piping, shall bear:
- 4.1.1. The trade name or mark of the manufacturer of the noise reduction system and of its components; and
- 4.1.2. The manufacturer's trade description;
- 4.2. These markings shall be clearly legible and be indelible even after fitting.
- 4.3. A component may carry several approval numbers if it has been approved as component of several replacement silencing systems.



## 5. Approval

- 5.1. Type approval shall only be granted if the vehicle type meets the requirements of paragraphs 6. and 7. below.
- 5.2. An approval number shall be assigned to each type approved. Its first two digits (~~at present 02 corresponding to the 02 series of amendments which entered into force on 18 April 1995~~ **at present 03 corresponding to the 03 series of amendments which entered into force on DD.MM.YYYY**) shall indicate the series of amendments incorporating the most recent major technical amendments made to the Regulation at the time of issue of the approval. The same Contracting Party may not assign the same number to the same vehicle type equipped with another type of noise reduction system or to another vehicle type.
- 5.3. Notice of approval or of extension or of refusal or withdrawal of approval or of production definitively discontinued of a vehicle type pursuant to this Regulation shall be communicated to the Parties to the Agreement applying this Regulation, by means of a form conforming to the model in Annex 1 to this Regulation.
- 5.4. There shall be affixed, conspicuously and in a readily accessible place specified on the approval form, to every vehicle conforming to a vehicle type approved under this Regulation an international approval mark consisting of:
  - 5.4.1. A circle surrounding the letter "E" followed by the distinguishing number of the country which has granted approval<sup>1</sup>;
  - 5.4.2. The number of this Regulation, followed by the letter "R", a dash and the approval number to the right of the circle prescribed in paragraph 5.4.1.
- 5.5. If the vehicle conforms to a vehicle type approved, under one or more other Regulations annexed to the Agreement, in the country which has granted approval under this Regulation, the symbol prescribed in paragraph 5.4.1. need not be repeated; in such a case the regulation and approval numbers and the additional symbols of all the Regulations under which approval has been granted in the country which has granted approval under this Regulation shall be placed in vertical columns to the right of the symbol prescribed in paragraph 5.4.1.
- 5.6. The approval mark shall be clearly legible and be indelible.
- 5.7. The approval mark shall be placed close to or on the vehicle data plate affixed by the manufacturer.
- 5.8. Annex 2 to this Regulation gives examples of arrangements of the approval mark.

## 6. Specifications

- 6.1. General specifications

---

<sup>1</sup> The distinguish numbers of the Contracting Parties to the 1958 Agreement are reproduced in Annex 3 to Consolidated Resolution on the Construction of Vehicles (R.E.3), document ECE/TRANS/WP.29/78/Rev.2.

- 6.1.1. The vehicle, its engine and its noise reduction system shall be so designed, constructed and assembled as to enable the vehicle, in normal use, despite the vibration to which it may be subjected, to comply with the provisions of this Regulation.
- 6.1.2. The noise reduction system shall be so designed, constructed and assembled as to be able to reasonably resist the corrosive phenomena to which it is exposed having regard to the conditions of use of the vehicle.
- [6.2. Specifications regarding sound levels
- 6.2.1. Methods of measurement
- 6.2.1.1. The noise made by the vehicle type submitted for approval shall be measured by the two methods described in Annex 3 to this Regulation for the vehicle in motion and for the vehicle when stationary<sup>2</sup>; in the case of a vehicle where an internal combustion engine does not operate when the vehicle is stationary, the emitted noise shall only be measured in motion.
- Vehicles having a maximum permissible mass exceeding 2,800 kg shall be subjected to an additional measurement of the compressed air noise with the vehicle stationary in accordance with the specifications of Annex 6, if the corresponding brake equipment is part of the vehicle.
- 6.2.1.2. The two values measured in accordance with the provisions of paragraph 6.2.1.1. above shall be entered in [the test report and on a form conforming to the model in Annex 1 to this Regulation].
- [Needs review: Test report is now included in Annex 1]**
- The values measured as specified in paragraph 6.2.1.1. above must be recorded in a test report and a certificate corresponding to the model shown in Annex 1.
- 6.2.2. Sound level limits
- 6.2.2.1. Subject to the provisions of paragraph 6.2.2.2. below, the sound level of vehicle types, as measured by the method described in paragraph 3.1. of Annex 3 to this Regulation, **and [mathematically] rounded to the nearest integer** shall not exceed the following limits:

<i>Vehicle categories</i>		<i>Limit values (dB(A))</i>
<del>6.2.2.1.1.</del>	<del>Vehicles used for the carriage of passengers and capable of having not more than nine seats, including the driver's seat</del>	<del>74</del>
<del>6.2.2.1.2.</del>	<del>Vehicles used for the carriage of passengers having more than nine seats, including the driver's seat, and a maximum authorized mass of more than 3.5 tonnes</del>	
<del>6.2.2.1.2.1.</del>	<del>with an engine power less than 150 kW (ECE)</del>	<del>78</del>
<del>6.2.2.1.2.2.</del>	<del>with an engine power of 150 kW (ECE) or above</del>	<del>80</del>

<sup>2</sup> A test is made on a stationary vehicle in order to provide a reference value for administrations which use this method to check vehicles in use.

<i>Vehicle categories</i>		<i>Limit values (dB(A))</i>
6.2.2.1.3.	Vehicles used for the carriage of passengers having more than nine seats, including the driver's seat; vehicles used for the carriage of goods	
6.2.2.1.3.1.		76
6.2.2.1.3.2.	with a maximum authorized mass not exceeding 2 tonnes	77
6.2.2.1.4.	Vehicles used for the transport of goods with a maximum authorized mass exceeding 3.5 tonnes	
6.2.2.1.4.1.	with an engine power less than 75 kW (ECE)	77
6.2.2.1.4.2.	with an engine power of 75 kW (ECE) or above but less than 150 kW (ECE)	78
6.2.2.1.4.3.	with an engine power of 150 kW (ECE) or above	80

Veh. Cat.	Vehicles used for the carriage of passengers	Phase 1	Phase 2	Phase 3*/
M1	PMR $\leq$ 120kW/t	72	70	68
	PMR 120kW/t ... 160kW/t	73	71	69
	PMR > 160kW/t	75	73	71
	PMR > 200kW/t, no. of seats $\leq$ 4, R-point height < 450mm	75	74	72
M2	GVW $\leq$ 2.5 t	72	70	69
	GVW 2.5 t ... 3.5 t	74	72	71
M2	GVW > 3.5 t; P $\leq$ 135 kW	75	73	72
	GVW > 3.5 t; P > 135 kW	75	74	72
M3	P $\leq$ 150 kW	76	74	73
	P 150 kW ... 250 kW	78	77	76
	P > 250 kW	80	78	77
Veh. Cat.	Vehicles used for the carriage of goods	Phase 1	Phase 2	Phase 3*/
N1	GVW $\leq$ 2,5 t	72	71	69
	GVW > 2,5 t	74	73	71
	[Engine Cap. <    cc, PMR(GVW) $\leq$ 35 kW/t]	[74]	[72]	[70]

N2	P ≤ 135kW	77	75	74
	P > 135 kW	78	76	75
N3	P ≤ 150 kW	79	77	76
	P 150 kW ... 250 kW	81	79	77
	P > 250 kW	82	81	79

**\*/ A detailed study shall be carried out and published to ascertain whether the noise on the sound level limits of phase 3 prove to be appropriate at the latest one year after the date referred to in 11.3 for new vehicle types. The study shall be based on vehicles meeting the latest regulatory requirements. On the basis of the conclusions of the study, proposals for amendment to this Regulation may be presented.**

6.2.2.2. However;

~~6.2.2.2.1. For the vehicle types mentioned in paragraphs 6.2.2.1.1. and 6.2.2.1.3. equipped with a compression ignition and direct injection internal combustion engine, the limit values shall be increased by 1 dB(A);~~

**For vehicle types of category M1 having a maximum authorized mass above 2.5 tons and a R-point height greater than 850 mm from the ground, the limits of vehicles types of category N1 having a maximum authorized mass above 2.5 tons apply**

~~6.2.2.2.2 For vehicle types designed for off road use and with a maximum authorized mass above 2 tonnes, the limit values shall be increased:~~

**For vehicle types designed for off-road <sup>3</sup> use and with a maximum authorized mass above 2 tons, the limit values shall be increased by 2 dB(A) for M3 and N3 vehicles category and 1 dB for any other vehicle category.**

~~6.2.2.2.2.1. By 1 dB(A) if they are equipped with an engine having a power of less than 150 kW (ECE);~~

~~6.2.2.2.2.2. By 2 dB(A) if they are equipped with an engine having a power of 150 kW (ECE) or above.~~

~~6.2.2.2.3. For vehicle types mentioned in paragraph 6.2.2.1.1. fitted with a gear box having more than four forward gears and equipped with an engine developing a maximum power greater than 140 kW (ECE) and having a maximum power/maximum mass ratio greater than 75 kW/t, the limit values shall be increased by 1 dB(A), if the speed at which the rear of the vehicle passes the line BB' in third gear is greater than 61 km/h.]~~

<sup>3</sup> In conformity with the definitions given in the Consolidated Resolution on the Construction of Vehicles (R.E.3) (TRANS/WP.29/78/Rev.1/Amend.2, annex 7/Rev.2).

- 6.2.2.2.3 **Limit values shall be increased by 2 dB(A) for wheelchair accessible vehicles of category M1 constructed or converted specifically so that they accommodate one or more persons seated in their wheelchairs when travelling on the road, and armoured vehicles, as defined in 2.5.2 of the consolidated resolution R.E.3.**
- 6.2.2.2.4 **[For vehicle types of category M1 or N1 having a GVW < 2.5 t and their no. of seats of the family type > 5 and having a mid-engine the limits as for vehicles types of category N1 having a GVW > 2.5 tons apply]**
- 6.2.2.2.5 **[For vehicle types of category M3 or N3 having an engine with positive ignition, the applicable limit value is increased by +2 dB]**

### 6.2.3. Additional sound emission provisions

The additional sound emission provisions (ASEP) apply only to vehicles of categories M<sub>1</sub> and N<sub>1</sub> equipped with an internal combustion engine.

Vehicles are deemed to fulfill the requirements of Annex 8, if the vehicle manufacturer provides technical documents to the type approval authority showing, that the difference between maximum and minimum engine speed of the vehicles at BB' for any test condition inside the ASEP control range defined in paragraph 3.3. of Annex 8 to this Regulation (including Annex 3 conditions) does not exceed 0.15 x S. This article is intended especially for non-lockable transmissions with variable gear ratios (CVT).

Vehicles of category N<sub>1</sub> are exempted from ASEP if one of the following conditions is fulfilled:

- (a) The engine capacity does not exceed 660 cc and the power-to-mass ratio PMR calculated by using the maximum authorized vehicle mass does not exceed 35.
- (b) The payload is at least 850 kg and the power-to-mass ratio PMR calculated by using the maximum authorized vehicle mass does not exceed 40.

The additional sound emission provisions are preventive requirements. The purpose of these requirements is to ensure that the sound emission of the vehicle under typical driving conditions different from the conditions of the type approval test in Annex 3 shall not deviate considerably from what can be expected from the Annex 3 test result for this specific vehicle.

- 6.2.3.1. The vehicle manufacturer shall not intentionally alter, adjust, or introduce any mechanical, electrical, thermal, or other device or procedure solely for the purpose of fulfilling the noise emission requirements as specified in this Regulation and as determined by the test procedure of Annex 3 but which will not be operational during typical on-road operation ~~under conditions applicable to ASEP. These measures are commonly referred to as "cycle detection"~~.
- 6.2.3.2. The vehicle shall meet the requirements of Annex 8 to this Regulation.
- 6.2.3.3. In applying for type approval, the manufacturer shall provide a statement (in conformity with Appendix 1 of Annex 8) that the vehicle type to be approved complies with the requirements of paragraph 6.2.3. of this Regulation.

Deleted: 10

Deleted: 10

Deleted: 10

Deleted: 10

- 6.3. Specifications regarding exhaust systems containing fibrous materials
- 6.3.1. Requirements of Annex 5 shall be applied.

## **7. Modification and extension of approval of a vehicle type**

- 7.1. Every modification of the vehicle type shall be notified to the Type Approval Authority which approved the vehicle type. The department may then either:
  - 7.1.1. Consider that the modifications made are unlikely to have an appreciable adverse effect and that in any case the vehicle still complies with the requirements, or
  - 7.1.2. Require a further test report from the Technical Service responsible for conducting the tests.
- 7.2. Confirmation or refusal of approval, specifying the alterations shall be communicated by the procedure specified in paragraph 5.3. above to the Parties to the Agreement applying this Regulation.
- 7.3. The competent authority issuing the extension of approval shall assign a series number for such an extension and inform thereof the other Parties to the 1958 Agreement applying this Regulation by means of a communication form conforming to the model in Annex 1 to this Regulation.

## **8. Conformity of production**

The conformity of production procedures shall comply with those set out in the Agreement, Appendix 2 (E/ECE/324-E/ECE/TRANS/505/Rev.2) with the following requirements:

- 8.1. Vehicles approved according to this Regulation shall be so manufactured as to conform to the type approved by meeting the requirements set forth in paragraph 6. above. The limit values set forth in paragraph 6. and referenced appendices apply with an additional margin of 1 dB(A).
- 8.2. The minimum requirements for conformity of production control procedures set forth in Annex 7 to this Regulation shall be complied with.
- 8.3. The authority which has granted type approval may at any time verify the conformity control methods applied in each production facility. The normal frequency of these verifications shall be one every two years.

## **9. Penalties for non-conformity of production**

- 9.1. The approval granted in respect of a vehicle type pursuant to this Regulation may be withdrawn if the requirements set forth above are not met.
- 9.2. If a Contracting Party to the Agreement applying this Regulation withdraws an approval it has previously granted, it shall forthwith so notify the other Contracting Parties applying this Regulation, by means of a communication form conforming to the model in Annex 1 to this Regulation.

## 10. Production definitively discontinued

- 10.1. If the holder of the approval completely ceases to manufacture a vehicle type approved in accordance with this Regulation, he shall so inform the authority which granted the approval. Upon receiving the relevant communication that authority shall inform thereof the other Parties to the 1958 Agreement applying this Regulation by means of a communication form conforming to the model in Annex 1 to this Regulation.

## 11. Transitional provisions

- ~~11.1. As from the official date of entry into force of the 02 series of amendments, no Contracting Party applying this Regulation shall refuse to grant ECE approval under this Regulation as amended by the 02 series of amendments.~~
- ~~11.2. As from 1 October 1995, Contracting Parties applying this Regulation shall grant ECE approvals only if the vehicle type to be approved meets the requirements of this Regulation as amended by the 02 series of amendments.~~
- ~~11.3. As from 1 October 1996, Contracting Parties applying this Regulation may refuse first national registration (first entry into service) of a vehicle which does not meet the requirements of the 02 series of amendments to this Regulation.]~~
- ~~11.4. For the first five years after the official entry into force of the 03 series of amendments to this Regulation, vehicles with a serial hybrid drive train which have an additional combustion engine with no mechanical coupling to the power train are excluded from the requirements of paragraph 6.2.3.~~
- 11.1. As from the official date of entry into force of the 03 series of amendments to this Regulation, no Contracting Party applying this Regulation shall refuse to grant or refuse to accept type-approvals under this Regulation as amended by the 03 series of amendments.
- 11.2. For the limit values of phase 1 as defined in the table under 6.2.2.1:
- 11.2.1. As from [2] years after the date of entry into force of the 03 series of amendments, Contracting Parties applying this Regulation shall grant type-approvals only if the vehicle type to be approved meets the requirements of this Regulation as amended by the 03 series of amendments.
- 11.2.2. Contracting Parties applying this Regulation shall not refuse to grant extensions of type-approvals for existing types which have been issued according to the preceding series of amendments to this Regulation.
- 11.3. For the limit values of phase 2 as defined in the table under 6.2.2.1:
- 11.3.1. As from [6] years after the date of entry into force of the 03 series of amendments for vehicle types other than [N1][ ]cc, PMR(GVW) < 35 kW/t) and] N2 and as from [8] years after the date of entry into force of the 03 series of amendments for vehicles types of category [N1][ ]cc, PMR(GVW) < 35 kW/t) and] N2, Contracting Parties applying this Regulation shall grant type-approvals only if the vehicle type to be approved meets the requirements of this Regulation as amended by the 03 series of amendments.

Deleted: UNECE

Deleted: UNECE

Deleted: UNECE

Deleted: UNECE

Deleted: UNECE

Deleted: UNECE

Deleted: UNECE

Deleted: UNECE

Deleted: UNECE

Deleted: UNECE

Deleted: UNECE

Deleted: UNECE

- 11.3.2. Contracting Parties applying this Regulation shall not refuse to grant extensions of type-approvals for existing types which have been issued according to the preceding series of amendments to this Regulation.
- 11.3.3. As from [8] years after the date of entry into force of the 03 series of amendments to this Regulation for vehicles other than [N1[ ]cc, PMR(GVW) < 35 kW/t) and] N2 and as from [11] years after the date of entry into force of the 03 series of amendments for vehicles types of category [N1[ ]cc, PMR(GVW) < 35 kW/t) and] N2, Contracting Parties applying this Regulation may continue granting for national or regional purposes, type approvals and extensions of type approvals to the previous series of amendments to this Regulation.
- 11.4. [For the limit values of phase 3 as defined in the table under 6.2.2.1:
- 11.4.1. Before application a detailed study shall be carried out latest one year after the date referred to in 11.3.3 to ascertain whether the noise limits and/or point in time for phase 3 prove to be appropriate. The study shall be based on vehicles meeting the latest regulatory requirements and include an assessment of the further noise reduction potential of the vehicles falling under the scope of this Regulation, taking into account the impact of other Regulations, such as but not limited to CO<sub>2</sub>, Emissions and Safety. On the basis of the conclusions of the study, proposals for amendment to this Regulation shall, if appropriate, be elaborated, including proposals to harmonize the application dates of various Regulations.
- 11.4.2. As from [10] years after the date of entry into force of the 03 series of amendments for vehicle types other than [N1[ ]cc, PMR(GVW) < 35 kW/t),] N2, N3 and M3 and as from [12] years after the date of entry into force of the 03 series of amendments for vehicles types of category [N1[ ]cc, PMR(GVW) < 35 kW/t),] N2, N3 and M3, Contracting Parties applying this UNECE Regulation shall grant UNECE type-approvals only if the vehicle type to be approved meets the requirements of this UNECE Regulation as amended by the 03 series of amendments.
- 11.4.3. Contracting Parties applying this UNECE Regulation shall not refuse to grant extensions of UNECE type-approvals for existing types which have been issued according to the preceding series of amendments to this UNECE Regulation.
- 11.4.4. As from [12] years after the date of entry into force of the 03 series of amendments to this Regulation for vehicles other than [N1[ ]cc, PMR(GVW) < 35 kW/t),] N2, N3 and M3 and as from [15] years after the date of entry into force of the 03 series of amendments for vehicles types of category [N1[ ]cc, PMR(GVW) < 35 kW/t),] N2, N3 and M3, Contracting Parties applying this Regulation may continue granting for national or regional purposes, type approvals and extensions of type approvals to the previous series of amendments to this Regulation.]
- 11.5. As from [x] after the date of entry into force of the 03 series of amendments to this Regulation, Contracting Parties applying this Regulation shall not be obliged to accept, for the purpose of national or regional type-approval, a vehicle type-approved to the preceding series of amendments to this Regulation.

Deleted: UNECE

Deleted: UNECE

Deleted: UNECE

Deleted: The phase 3 is indicative.

Deleted: UNECE



- 11.6. Notwithstanding the transitional provisions above, Contracting Parties whose application of this Regulation comes into force after the date of entry into force of the most recent series of amendments are not obliged to accept type-approvals which were granted in accordance with any of the preceding series of amendments to this Regulation.

Deleted: UNECE

Deleted: UNECE

Deleted: UNECE

- 11.7. For the first five years after the official entry into force of the 03 series of amendments to this Regulation, vehicles with a serial hybrid drive train which have an additional combustion engine with no mechanical coupling to the power train are excluded from the requirements of paragraph 6.2.3.

[For a period of 60 month from the date of entry into force of this Regulation, Contracting Parties applying to this Regulation can continue to grant type approval to the 03 series of this amendments to this Regulation without taking into account the provisions of 6.2.3 for vehicles with a serial hybrid drive train which have an additional combustion engine with no mechanical coupling to the power train.]

- 11.8. For the first five years after the official entry into force of the 03 series of amendments to this Regulation, test tracks used for the purpose of this Regulation shall comply to either Annex 7 of this Regulation or to ISO 10844:2011. After that date, test tracks shall comply with ISO 10844:2011 only.

Deleted: 8

[For a period of 60 month from the date of entry into force of this Regulation, Contracting Parties applying to this Regulation can continue to grant type approval to the 03 series of this amendments to this Regulation without taking into account the provisions of (Annex 10).

Introduce new Annex 10 with ISO10844:2011]

## 12. Names and addresses of Technical Services responsible for conducting approval tests and of Type Approval Authorities

The Parties to the 1958 Agreement applying this Regulation shall communicate to the United Nations Secretariat the names and addresses of the Technical Services responsible for conducting approval tests and of the Type Approval Authorities which grant approval and to which forms certifying approval or extension or refusal or withdrawal of approval, issued in other countries, are to be sent.

## Annex 1

### Communication

(maximum format: A4 (210 x 297 mm))

issued by: Name of administration:

.....  
.....  
.....



concerning:<sup>2</sup> APPROVAL GRANTED  
APPROVAL EXTENDED  
APPROVAL REFUSED  
APPROVAL WITHDRAWN  
PRODUCTION DEFINITELY DISCONTINUED

of a vehicle type with regard to its noise emission pursuant ECE to Regulation No. 51

Approval No. .... Extension No. ....

Formatted: Not Strikethrough

#### SECTION I

- 0.1. Make (trade name of manufacturer): .....
- 0.2. Type: .....
- 0.3. Means of identification of type if marked on the vehicle<sup>(2)</sup>:  
.....
- 0.3.1. Location of that marking: .....
- 0.4. Category of vehicle<sup>(3)</sup>: .....
- 0.5. Company name and address of manufacturer: .....
- 0.6. Names and Address(es) of assembly plant(s): .....
- 0.7. Name and address of the manufacturer's representative (if any): .....

<sup>1</sup> Distinguishing number of the country which has granted/extended/refused/withdrawn approval (see approval provisions in the Regulation).

<sup>2</sup> Delete what does not apply

<sup>(2)</sup> If the means of identification of type contains characters not relevant to describe the vehicle, ~~component or separate technical unit~~ types covered by the type-approval certificate such characters shall be represented in the documentation by the symbol: '?' (e.g. ABC??123??).

<sup>(3)</sup> As defined in R.E.3

**SECTION II**

1. **Additional information (where applicable): See Addendum**
2. **Technical service responsible for carrying out the tests: .....**
3. **Date of test report: .....**
4. **Number of test report: .....**
5. **Remarks (if any): See Addendum**
6. **Place: .....**
7. **Date: .....**
8. **Signature: .....**

**Attachments:      Information package**  
                          **Test report<sup>36</sup> (for systems) / Test results (for whole vehicles)**

## Addendum to the communication form No ...

### 1. Additional information

#### 1.1. Power plant

1.1.1. Manufacturer of the engine: .....

1.1.2. Manufacturer's engine code: .....

1.1.3. Maximum net power (g): ..... kW at ..... min<sup>-1</sup> or maximum continuous rated power (electric motor) ..... kW(□)

1.1.4. Pressure charger(s), Make and Type: .....

1.1.5. Air filter, Make and Type: .....

1.1.6. Intake silencer(s), Make and Type: .....

1.1.7. Exhaust Silencer(s), Make and Type: .....

1.1.8. Catalyst(s), Make and Type: .....

1.1.9. Particulate Trap(s), Make and Type: .....

#### 1.2. Transmission

1.2.1. Type (mechanical, hydraulic, electric, etc.): .....

1.3. Non-engine devices designed to reduce noise: .....

### 2. Test results

2.1. Noise level of moving vehicle: ..... dB(A)

2.2. Noise level of stationary vehicle: ..... dB(A) at ..... min<sup>-1</sup>

2.2.1. Noise level of compressed air, service brake: ..... dB(A)

2.2.1. Noise level of compressed air, parking brake: ..... dB(A)

2.2.1. Noise level of compressed air, during the pressure regulator actuation: ..... dB(A)

[2.3. Data to facilitate in-use compliance test of hybrid vehicles, where an internal combustion engine cannot operate when the vehicle is stationary

2.3.1. Gear (i) or position of the gear selector chosen for the test: .....

2.3.2. Position of the operating switch during measurement L<sub>wot,(i)</sub>

(if switch is fitted) .....

2.3.3. Pre-acceleration length l<sub>PA</sub> (Point of the acceleration depression in meter before line AA\*)  
..... m

~~2.3.4. Vehicle speed at the beginning of the acceleration ..... km/h~~

2.3.5. Sound pressure level L<sub>wot,(i)</sub> ..... dB(A)]

**Formatted:** Font: (Default) Times New Roman Bold, Strikethrough

**3. Remarks:**

.....

▲

- 1. Trade name or mark of the vehicle: .....
- 2. Vehicle type: .....
- 2.1. Maximum permissible mass including semi trailer (where applicable) .....
- 3. Manufacturer's name and address .....
- 4. If applicable, name and address of manufacturer's representative .....
- 5. Engine:
  - 5.1. Manufacturer: .....
  - 5.2. Type: .....
  - 5.3. Model: .....
  - 5.4. Rated maximum power (ECE): ..... kW at ..... rev/min.
  - 5.5. Kind of engine: e.g. positive ignition, compression ignition, etc.<sup>4</sup> .....
- 5.6. Cycles: two stroke or four stroke (if applicable) .....
- 5.7. Cylinder capacity (if applicable) .....
- 6. Transmission: non-automatic gearbox/automatic gearbox<sup>2</sup> .....
- 6.1. Number of gears .....
- 7. Equipment:
  - 7.1. Exhaust silencer: .....
  - 7.1.1. Manufacturer or authorized representative (if any) .....
  - 7.1.2. Model: .....
  - 7.1.3. Type: ..... in accordance with drawing No.: .....
  - 7.2. Intake silencer: .....
  - 7.2.1. Manufacturer or authorized representative (if any) .....
  - 7.2.2. Model: .....
  - 7.2.3. Type: ..... in accordance with drawing No.: .....
- 7.3. Tyre size (by axle): .....

Formatted: Not Strikethrough

<sup>4</sup> If a non-conventional engine is used, this should be stated.

8. Measurements:

8.1. Sound level of moving vehicle:

<i>Measurement results</i>			
	Left hand side dB(A) <sup>5</sup>	Right hand side dB(A) <sup>4</sup>	Position of gear lever
First measurement			
Second measurement			
Third measurement			
Fourth measurement			
Test result: .....			dB (A)

8.2. Sound level of stationary vehicle:

Position and orientation of microphone (according to diagrams in appendix of annex 3)

<i>Measurement results</i>		
	dB(A)	Engine speed
First measurement		
Second measurement		
Third measurement		
Test result: .....		dB (A)

8.3. Sound level of compressed air noise:

<i>Measurement results</i>		
	Left hand side dB(A) <sup>4</sup>	Right hand side dB(A) <sup>4</sup>
First measurement		
Second measurement		
Third measurement		
Fourth measurement		
Test result: .....		dB (A)

8.4. Ambient conditions

8.4.1. Test site (surface characteristics): .....

8.4.2. Temperatures (in °C): .....

8.4.2.1. Temperature of ambient air: .....

<sup>5</sup> The measurement values are given with the 1 dB(A) deduction in accordance with the provisions of paragraph 6.2.2.1.

- 8.4.2.2. Temperature of test track surface: .....
- 8.4.3. Atmospheric pressure (kPa): .....
- 8.4.4. Humidity (percent): .....
- 8.4.5. Wind speed (km/h): .....
- 8.4.6. Wind direction: .....
- 8.4.7. Background noise (dB(A)): .....
9. Vehicle submitted for approval on: .....
10. Technical Service responsible for type approval tests: .....
- .....
11. Date of test report issued by that service: .....
12. Number of test report issued by that service: .....
13. Type approval in respect of sound levels is hereby granted/extended/refused/withdrawn<sup>2</sup>
14. Position of approval mark on the vehicle .....
15. Place: .....
16. Date: .....
17. Signature: .....
18. The following documents, bearing the approval number shown above, are annexed to this communication:
- ..... Drawings, diagrams and plans of the engine and of the noise reduction system;
- ..... Photographs of the engine and of the noise reduction system;
- ..... List of components, duly identified constituting the noise reduction system.
19. Remarks: .....
- .....
- ..... ]

Formatted: Font: 12 pt

## Technical Information Document

### 0. General

- 0.1. Make (trade name of manufacturer): .....
- 0.2. Means of identification of type, if marked on the vehicle (<sup>b</sup> (Note: Footnote to be added)): .....
- 0.2.1. Location of that marking: .....
- 0.3. Category of vehicle (<sup>c</sup> (Note: Footnote to be added)): .....
- 0.4. Company Name and address of manufacturer: .....
- 0.5. Name(s) and Address(es) of assembly plant(s): .....
- 0.6. Name and address of the manufacturer's representative (if any): .....
- 1. General construction characteristics of the vehicle
  - 1.1. Photographs and/or drawings of a representative vehicle: .....
  - 1.2. Number of axles and wheels(<sup>d</sup>):.....
    - 1.2.1. Powered axles (number, position, interconnection): .....
    - 1.3. Position and arrangement of the engine: .....
  - 2. Masses and dimensions (<sup>e</sup>) (in kg and mm) (Refer to drawing where applicable)
    - 2.1. Range of vehicle dimensions (overall): .....
    - 2.1.1. For chassis without bodywork: .....
    - 2.1.1.1. Length (<sup>f</sup>): .....
    - 2.1.1.2. Width (<sup>h</sup>): .....
    - 2.1.2. For chassis with bodywork
      - 2.1.2.1. Length (<sup>f</sup>): .....
      - 2.1.2.2. Width (<sup>h</sup>): .....
    - 2.2. Mass in running order (<sup>h</sup>)
      - (a) minimum and maximum for each variant: .....
      - (b) mass of each version (a matrix must be provided): .....

Formatted: Font: (Default) Times New Roman Bold, 12 pt, Not Italic, Not Strikethrough

Formatted: Font: 12 pt

Formatted: Font: (Default) Times New Roman Bold, 12 pt, Not Italic, Not Strikethrough

Formatted: Font: (Default) Times New Roman Bold, Not Italic



- 2.3 Technically permissible maximum laden mass stated by the manufacturer <sup>(1)</sup>(<sup>3</sup>):  
 .....
3. Power plant <sup>(4)</sup>
- 3.1. Manufacturer of the engine: .....
- 3.1.1. Manufacturer's engine code (As marked on the engine, or other means of identification):  
 .....
- 3.2. Internal combustion engine
- 3.2.1.1. Working principle: positive ignition/compression ignition, cycle four stroke/two stroke/rotary<sup>(1)</sup>
- 3.2.1.2. Number and arrangement of cylinders: .....
- 3.2.1.2.3. Firing order: .....
- 3.2.1.3. Engine capacity <sup>(5)</sup>: .... cm<sup>3</sup>
- 3.2.1.8. Maximum net power <sup>(6)</sup>: .... kW at ..... min<sup>-1</sup> (manufacturer's declared value)
- 3.2.2. Fuel feed
- 3.2.2.1. By fuel injection (compression ignition only): yes/no<sup>(1)</sup>
- 3.2.2.1.1. Working principle: Direct injection/pre-chamber/swirl chamber<sup>(1)</sup>
- 3.2.2.1.2. Governor
- 3.2.2.1.2.1. Type: .....
- 3.2.2.1.2.2. Speed at which Cut-off starts under load: .... min<sup>-1</sup>
- 3.2.2.2. By fuel injection (positive ignition only): yes/no<sup>(1)</sup>
- 3.2.2.2.1. Working principle: Intake manifold (single-/multi-point<sup>(1)</sup>)/direct injection/other (specify)<sup>(1)</sup>
- 3.2.3. Intake system
- 3.2.3.1. Air filter, drawings: .....or
- 3.2.3.1.1. Make(s): .....
- 3.2.3.1.2. Type(s): .....
- 3.2.3.2. Intake silencer, drawings: .....or
- 3.2.3.2.1. Make(s): .....

3.2.3.2.2 Type(s): .....

3.2.4. Exhaust system

3.2.4.1. Description and/or drawing of the exhaust system: .....

3.2.4.2 Exhaust silencer(s): .....

Type, marking of exhaust silencer(s):

Where relevant for exterior noise, reducing measures in the engine compartment and on the engine:

3.2.4.3 Location of the exhaust outlet: .....

3.2.4.4 Exhaust silencer containing fibrous materials: .....

3.2.5 Catalytic convertor: yes/no<sup>(1)</sup>

3.2.5.1 Number of catalytic convertors and elements (provide the information below for each separate unit):  
.....

3.3. Electric motor

3.3.1. Type (winding, excitation): .....

3.3.1.1. Maximum hourly output: .... kW

3.3.1.2. Operating voltage: .... V

3.4. Engine or motor combination: .....

3.4.1. Hybrid electric vehicle: yes/no ( 1 )

3.4.2. Category of hybrid electric vehicle: off-vehicle charging/not off-vehicle charging: ( 1 )  
(Note: Take definitions from GRPE working group VPSD: when available)

3.4.3. Operating mode switch: with/without ( 1 )

3.4.3.1. Selectable modes

3.4.3.1.1. Pure electric: yes/no ( 1 )

3.4.3.1.2. Pure fuel consuming: yes/no ( 1 )

3.4.3.1.3. Hybrid modes: yes/no ( 1 ) (if yes, short description): .....

3.4.4. Electric motor (describe each type of electric motor separately)

3.4.4.1. Make: .....

3.4.4.2. Type: .....

3.4.4.3. Maximum power: ..... kW

4. Transmission (v)

4.1. Type (mechanical, hydraulic, electric, etc.): .....

4.2. Gear ratios

Gear	Internal gearbox ratios (ratios of engine to gearbox output shaft revolutions)	Final drive ratio(s) (ratio of gearbox output shaft to driven wheel revolutions)	Total gear ratios
<b>Maximum for CVT *</b> 1 2 3 ... <b>Minimum for CVT *</b> Reverse			

4.3. Maximum vehicle design speed (in km/h) (<sup>m</sup>): .....

5. Suspension

5.1. Tyres and wheels

5.1.1. Tyre/wheel combination(s)

(a) for tyres indicate size designation, load-capacity index and speed category symbol,

(b) for wheels indicate rim size(s) and off-set(s)

5.1.2. Upper and lower limits of rolling radii

5.1.2.1. Axle 1: .....

\* Continuously variable transmission

\* Continuously variable transmission

- 5.1.2.2. Axle 2: .....
- 5.1.2.3. Axle 3: .....
- 5.1.2.4. Axle 4: .....
- etc.
- 6. Bodywork
  - 6.1. Type of bodywork: .....
  - 6.2. Materials used and methods of construction: .....
- 7. Miscellaneous
  - 7.1. Details of any non-engine devices designed to reduce noise (if not covered by other items):  
.....

**Signed:**

**Position in company:**

**Date:**



Deleted: SECTION I¶

0.1. Make (trade name of manufacturer):  
.....¶

0.2. Type:  
.....¶

0.3. Means of identification of type if marked on the vehicle<sup>(2)</sup>:  
.....¶

0.3.1. Location of that marking:  
.....¶

0.4. Category of vehicle<sup>(3)</sup>:  
.....¶

0.5. Company name and address of manufacturer:  
.....¶

0.6. Names and Address(es) of assembly plant(s):  
.....¶

0.7. Name and address of the manufacturer's representative (if any):  
.....¶

¶

SECTION II¶

1. Additional information (where applicable): See Addendum¶

2. Technical service responsible for carrying out the tests:  
.....¶

3. Date of test report:  
.....¶

4. Number of test report:  
.....¶

5. Remarks (if any): See Addendum¶

6. Place:  
.....¶

7. Date:  
.....¶

8. Signature:  
.....¶

Attachments: Information package¶  
... Test report<sup>66</sup> (for systems) / Test results (for whole vehicles)¶  
¶

-----Page Break-----

Addendum to the communication form No ...¶

¶

1. Additional information ¶

1.1. Power plant ¶

1.1.1. Manufacturer of the engine:  
.....¶

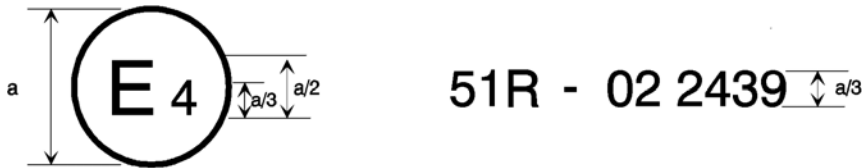
1.1.2. Manufacturer's engine code:  
.....¶

1.1.3. Maximum net power (g): ..... kW at ..... min -1 or maximum ... [1]

**Annex 2 (to be updated for 03 series of amendments)**

**Arrangements of the approval mark**

Model A  
(See paragraph 5.4. of this Regulation)

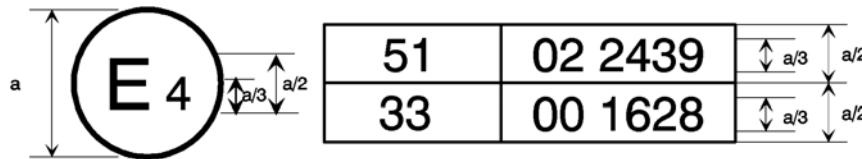


a = 8 mm min.

The above approval mark affixed to a vehicle shows that the vehicle type concerned has, with regard to its noise emission, been approved in the Netherlands (E 4) pursuant to Regulation No. 51 under approval No. 022439.

The first two digits of the approval number indicate that Regulation No. 51 already included the 02 series of amendments when the approval was granted.

Model B  
(See paragraph 5.5. of this Regulation)



a = 8 mm min.

The above approval mark affixed to a vehicle shows that the vehicle type concerned has been approved in the Netherlands (E 4) pursuant to Regulations Nos. 51 and 33.<sup>1</sup> The approval numbers indicate that, at the dates when the respective approvals were granted, Regulation No. 51 included the 02 series of amendments while Regulation No. 33 was in its original form.

<sup>1</sup> The latter number is given as an example only.

## Annex 3

### Methods and instruments for measuring the noise made by motor vehicles

1. Measuring instruments

1.1. Acoustic measurements

The apparatus used for measuring the noise level must be a precision sound-level meter or equivalent measurement system meeting the requirements of class 1 instruments (inclusive of the recommended windscreen, if used). These requirements are described in "IEC 61672-1:2002: Precision sound level meters", second edition, of the International Electrotechnical Commission (IEC).

Measurements shall be carried out using the "fast" response of the acoustic measurement instrument and the "A" weighting curve also described in "IEC 61672-1:2002". When using a system that includes a periodic monitoring of the A-weighted sound pressure level, a reading should be made at a time interval not greater than 30 ms.

The instruments shall be maintained and calibrated in accordance to the instructions of the instrument manufacturer.

1.2. Compliance with requirements

Compliance of the acoustic measurement instrumentation shall be verified by the existence of a valid certificate of compliance. These certificates shall be deemed to be valid if certification of compliance with the standards was conducted within the previous 12 months period for the sound calibration device and within the previous 24 months period for the instrumentation system. All compliance testing must be conducted by a laboratory, which is authorized to perform calibrations traceable to the appropriate standards.

1.3. Calibration of the entire Acoustic Measurement System for a Measurement Session

At the beginning and at the end of every measurement session, the entire acoustic measurement system shall be checked by means of a sound calibrator that fulfils the requirements for sound calibrators of precision class 1 according to IEC 60942: 2003. Without any further adjustment the difference between the readings shall be less than or equal to 0.5 dB. If this value is exceeded, the results of the measurements obtained after the previous satisfactory check shall be discarded.

1.4. Instrumentation for speed measurements

The engine speed shall be measured with instrumentation having an accuracy of  $\pm 2$  per cent or better at the engine speeds required for the measurements being performed.

The road speed of the vehicle shall be measured with instrumentation having an accuracy of at least  $\pm 0.5$  km/h, when using continuous measurement devices.

If testing uses independent measurements of speed, this instrumentation must meet specification limits of at least  $\pm 0.2$  km/h.

1.5. Meteorological instrumentation

The meteorological instrumentation used to monitor the environmental conditions during the test shall include the following devices, which meet at least the given accuracy:

- (a) Temperature measuring device,  $\pm 1^\circ$  C;
- (b) Wind speed-measuring device,  $\pm 1.0$  m/s;
- (c) Barometric pressure measuring device,  $\pm 5$  hPa;
- (d) A relative humidity measuring device,  $\pm 5$  per cent.

2. Conditions of measurement

2.1. Test Site<sup>†</sup> and ambient conditions

~~The test site shall be substantially level. The surface of the test track shall be dry. The test site shall be such that when a small omni-directional noise source is placed on its surface at the central point (intersection of the microphone line PP' and the centre line of the vehicle lane CC'), deviations from hemispherical acoustic divergence shall not exceed  $\pm 1$  dB.~~

~~This condition is deemed to be satisfied if the following requirements are met:~~

- ~~(a) Within a radius of 50 m from the centre of the track the space is free of large reflecting objects such as fences, rocks, bridges or buildings.~~
- ~~(b) The test track and the surface of the site are dry and free from absorbing materials such as powdery snow, or loose debris.~~
- ~~(c) In the vicinity of the microphone, there are no obstacle that could influence the acoustical field and no person is positioned between the microphone and the noise source. The meter observer is positioned so as not to influence the meter reading.~~

**†The specification for the test site are reproduced in Annex 10. Until the date mentioned in 11.8 of the main body test tracks complying with Annex 7 are accepted as an alternative. The surface of the site shall be free of powdery snow, tall grass, loose soil or cinders. There must be no obstacle which could affect the sound field within the vicinity of the microphone and the sound source. The observer carrying out the measurements must so position himself as not to affect the readings of the measuring instrument.**

Measurements shall not be made under adverse weather conditions. It must be ensured that the results are not affected by gusts of wind.

**Deleted:** The surface of the test track and the dimensions of the test site shall be in accordance with ISO 10844:2011. Until the date mentioned in 11.8 of the main body test tracks complying with Annex VIII are accepted as an alternative.

<sup>†</sup> In conformity with Annex 8 to this Regulation or ISO 10844:2011. See Transitional provisions 11.7 above

The meteorological instrumentation should be positioned adjacent to the test area at a height of 1.2 m  $\pm$  0.02 m. The measurements shall be made when the ambient air temperature is within the range from 5 °C to 40 °C.

The tests shall not be carried out if the wind speed, including gusts, at microphone height exceeds 5 m/s, during the noise measurement interval.

A value representative of temperature, wind speed and direction, relative humidity, and barometric pressure shall be recorded during the noise measurement interval.

Any noise peak which appears to be unrelated to the characteristics of the general noise level of the vehicle shall be ignored in taking the readings.

The background noise shall be measured for duration of 10 seconds immediately before and after a series of vehicle tests. The measurements shall be made with the same microphones and microphone locations used during the test. The A-weighted maximum noise pressure level shall be reported.

The background noise (including any wind noise) shall be at least 10 dB below the A-weighted noise pressure level produced by the vehicle under test. If the difference between the ambient noise and the measured noise is between 10 and 15 dB(A), in order to calculate the test results the appropriate correction must be subtracted from the readings on the noise-level meter, as in the following table:

Difference between ambient noise and noise to be measured dB(A)	10	11	12	13	14	15
Correction dB(A)	0.5	0.4	0.3	0.2	0.1	0.0

## 2.2. Vehicle

### 2.2.1. [~~The vehicle tested shall be selected in a way so that that all vehicles of the same type which are put on the market fulfill the requirements of this Regulation.~~]

The vehicle shall be representative of vehicles to be put on the market as specified by the manufacturer **in agreement with the technical service to fulfill the requirements of this Regulation.**

Measurements shall be made without any trailer, except in the case of non-separable vehicles. **At the request of the manufacturer measurements may be made on vehicles with lift axle(s) in a raised position.** Measurements shall be made on vehicles at the test mass  $m_t$  specified according to the following table:

Vehicle category	Vehicle test mass
M <sub>1</sub>	$m_t = m_{r0}$
N <sub>1</sub>	$m_t = m_{r0}$
N <sub>2</sub> , N <sub>3</sub>	<p><math>m_t = 50</math> kg per kW rated engine power</p> <p>Extra loading to reach the test mass of the vehicle shall be placed above the driven rear axle(s). The extra loading is limited to 75 per cent of the <b>technically permissible maximum laden</b> mass allowed for the rear axle. The test mass must be achieved with a tolerance</p>



Vehicle category	Vehicle test mass
	<p>of <math>\pm 5</math> per cent.</p> <p>If the centre of gravity of the extra loading cannot be aligned with the centre of the rear axle, the test mass of the vehicle shall not exceed the sum of the front axle and the rear axle load in an unladen condition plus the extra loading.</p> <p>The test mass for vehicles with more than two axles shall be the same as for a two-axle vehicle.</p>
M <sub>2</sub> , M <sub>3</sub>	<p><math>m_t = m_{to}</math> – mass of the crew member (if applicable) <b>or, if the tests are carried out to an incomplete vehicle not having a bodywork,</b></p> <p><b>mt = 50 kg per kW rated engine power respectively in compliance with conditions above (see N2, N3 category).</b></p>

2.2.2. **At the applicant's request the vehicle of a category M2, M3, N2 or N3 is deemed representative of its completed type if the tests are carried out to an incomplete vehicle not having a bodywork. In the test of an incomplete vehicle all relevant soundproofing materials, panels and noise reduction components and systems shall be fitted on the vehicle as designed by the manufacturer except a part of bodywork which is built in a later stage.**

**No new test shall be required due to fitting of a supplement fuel tank or re-location of the original fuel tank on condition that other parts or structures of the vehicle apparently affecting sound emissions have not been altered.**

The tyres to be used for the test shall be representative for the vehicle and shall be selected by the vehicle manufacturer and recorded **in Addendum to the Communication form (Annex 1 Addendum)**. They shall correspond to one of the tyre sizes designated for the vehicle as original equipment. The tyre is or will be commercially available on the market at the same time as the vehicle.<sup>2</sup> The tyres shall be inflated to the pressure recommended by the vehicle manufacturer for the test mass of the vehicle. The tyres shall have ~~a tread depth of at least 80 per cent of the full~~ **1.6 mm tread depth.**

2.2.3. Before the measurements are started, the engine shall be brought to its normal operating conditions.

2.2.4. If the vehicle is fitted with more than two-wheel drive, it shall be tested in the drive which is intended for normal road use.

2.2.5. If the vehicle is fitted with fan(s) having an automatic actuating mechanism, this system shall not be ~~interfered~~ **interfered** with during the measurements.

<sup>2</sup> The tyre contribution for overall sound emission being important, this vehicle Regulation has taken into account the tyre/road sound emission regulations. Snow tyres and special tyres according to UNECE Regulation No. 117 shall be excluded during type approval and COP measurements on request of the manufacturer. ~~Given that the tyre contribution for overall sound emission is significant, regard must be given,~~ for existing regulatory provisions concerning tyre/road sound emissions. Traction tyres, snow tyres and special-use tyres as defined in paragraph 2 of Regulation No 117 shall be excluded during type-approval and conformity of production measurements at the request of the manufacturer in accordance with Regulation No. 117

Deleted: had

Deleted:

Deleted: UNECE

Deleted: UNECE

- 2.2.6. If the vehicle is equipped with an exhaust system containing fibrous materials, the exhaust system is to be conditioned before the test according to Annex 5.
3. Methods of testing
- 3.1. Measurement of noise of vehicles in motion
- 3.1.1. General conditions of test
- Two lines, AA' and BB', parallel to line PP' and situated respectively 10 m forward and 10 m rearward of line PP' shall be marked out on the test runway.
- At least four measurements shall be made on each side of the vehicle and for each gear. Preliminary measurements may be made for adjustment purposes, but shall be disregarded.
- The microphone shall be located at a distance of  $7.5 \text{ m} \pm 0.05 \text{ m}$  from the reference line CC' of the track and  $1.2 \text{ m} \pm 0.02 \text{ m}$  above the ground.
- The reference axis for free field conditions (see IEC 61672-1:2002) shall be horizontal and directed perpendicularly towards the path of the vehicle line CC'.
- 3.1.2. Specific test conditions for vehicles
- 3.1.2.1. Vehicles of category  $M_1, M_2 \leq 3500 \text{ kg}, N_1$
- The path of the centerline of the vehicle shall follow line CC' as closely as possible throughout the entire test, from the approach to line AA' until the rear of the vehicle passes line BB'. ~~If the vehicle is fitted with more than two-wheel drive, test it in the drive selection which is intended for normal road use.~~
- If the vehicle is fitted with an auxiliary manual transmission or a multi-gear axle, the position used for normal urban driving shall be used. In all cases, the gear ratios for slow movements, parking or braking shall be excluded.
- The test mass of the vehicle shall be according to the table of paragraph 2.2.1.
- The test speed  $v_{\text{test}}$  is  $50 \text{ km/h} \pm 1 \text{ km/h}$ . The test speed must be reached, when the reference point is at line PP'.
- 3.1.2.1.1. Power to mass ratio index (PMR)
- PMR is defined as follows:
- PMR =  $(P_n / m_i) * 1000 \text{ kg/kW}$ , where  $P_n$  is measured in kW and  $m_i$  is measured in kg according to point 3.2.1. of this Annex.**
- The power to mass ratio index (PMR), **with no dimension** is used for the calculation of acceleration.
- 3.1.2.1.2. Calculation of acceleration
- Acceleration calculations are applicable to  $M_1, N_1$  and  $M_2 \leq 3500 \text{ kg}$  categories only.
- All accelerations are calculated using different speeds of the vehicle on the test track.<sup>3</sup> The formulas given are used for the calculation of  $a_{\text{wot } i}, a_{\text{wot } i+1}$  and  $a_{\text{wot test}}$ . The speed either at AA' or PP' is defined as the vehicle speed when the reference point passes AA' ( $v_{AA'}$ ) or PP' ( $v_{PP'}$ ). The speed at BB' is

<sup>3</sup> See Annex 8, figure 1

defined when the rear of the vehicle passes BB' ( $v_{BB'}$ ). The method used for determination of the acceleration shall be indicated in the test report.

Due to the definition of the reference point for the vehicle the length of the vehicle ( $l_{veh}$ ) is considered differently in the formula below. If the reference point is in the front of the vehicle, then  $l = l_{veh}$ , mid:  $l = \frac{1}{2} l_{veh}$  and rear:  $l = 0$ .

- 3.1.2.1.2.1. Calculation procedure for vehicles with manual transmission, automatic transmission, adaptive transmissions and transmissions with ~~variable gear ratios~~ **continuous variable transmissions** (CVT's) tested with locked gear ratios:

$$a_{wot\ test} = ((v_{BB'}/3.6)^2 - (v_{AA'}/3.6)^2) / (2*(20+l))$$

$a_{wot\ test}$  used in the determination of gear selection shall be the average of the four  $a_{wot\ test, i}$  during each valid measurement run.

Pre-acceleration may be used. The point of depressing the accelerator before line AA' shall be reported in the ~~vehicle and test data~~ **in the Addendum to the Communication form (Annex 1 Addendum)** ~~(see annex 9)~~.

- 3.1.2.1.2.2. Calculation procedure for vehicles with automatic transmissions, adaptive transmissions and CVT's tested with non-locked gear ratios:

$a_{wot\ test}$  used in the determination of gear selection shall be the average of the four  $a_{wot\ test, i}$  during each valid measurement run.

If devices or measures described in paragraph 3.1.2.1.4.2., can be used to control transmission operation for the purpose of achieving test requirements, calculate  $a_{wot\ test}$  using the equation:

$$a_{wot\ test} = ((v_{BB'}/3.6)^2 - (v_{AA'}/3.6)^2) / (2*(20+l))$$

Pre-acceleration may be used.

If no devices or measures described in paragraph 3.1.2.1.4.2. are used, calculate  $a_{wot\ test}$  using the equation:

$$a_{wot\ testPP-BB} = ((v_{BB'}/3.6)^2 - (v_{PP'}/3.6)^2) / (2*(10+l))$$

Pre-acceleration shall not be used.

The location of depressing the accelerator shall be where the reference point of the vehicle passes line AA'.

- 3.1.2.1.2.3. Target acceleration

The target acceleration  $a_{urban}$  defines the typical acceleration in urban traffic and is derived from statistical investigations. This function depends on the PMR of a vehicle.

The target acceleration  $a_{urban}$  is defined by:

$$a_{urban} = 0.63 * \log_{10} (PMR) - 0.09$$

- 3.1.2.1.2.4. Reference acceleration

The reference acceleration  $a_{wot\ ref}$  defines the required acceleration during the ~~accelerated~~ **acceleration** test on the test track. It is a function depending on the power-to-mass ratio of a vehicle. That function is different for specific vehicle categories.

The reference acceleration  $a_{wot\ ref}$  is defined by:

$$a_{wot\ ref} = 1.59 * \log_{10} (PMR) - 1.41 \quad \text{for } PMR \geq 25$$

$$a_{wot\ ref} = a_{urban} = 0.63 * \log_{10} (PMR) - 0.09 \quad \text{for } PMR < 25$$

3.1.2.1.3. Partial power factor  $k_p$

The partial power factor  $k_p$  (see paragraph 3.1.3.1.) is used for the weighted combination of the test results of the acceleration test and the constant speed test for vehicles of category  $M_1$  and  $N_1$ .

In cases other than a single gear test  $a_{wot\ ref}$  has to be used instead of a  $a_{wot\ test}$  (see paragraph 3.1.3.1.).

3.1.2.1.4. Gear ratio selection

The selection of gear ratios for the test depends on their specific acceleration potential  $a_{wot}$  under full throttle condition, according to the reference acceleration  $a_{wot\ ref}$  required for the full throttle acceleration test.

Some vehicles may have different software programs or modes for the transmission (e.g. sporty, winter, adaptive). If the vehicle has different modes leading to valid accelerations, the vehicle manufacturer has to prove to the satisfaction of the Technical Service, that the vehicle is tested in the mode which achieves an acceleration being closest to  $a_{wot\ ref}$ .

3.1.2.1.4.1. Vehicles with manual transmission, automatic transmissions, adaptive transmissions or CVTs tested with locked gear ratios

The following conditions for selection of gear ratios are possible:

- (a) If one specific gear ratio gives an acceleration in a tolerance band of  $\pm 5$  per cent of the reference acceleration  $a_{wot\ ref}$ , not exceeding ~~3.0~~ **2.0**  $m/s^2$ , test with that gear ratio.
- (b) If none of the gear ratios give the required acceleration, then choose a gear ratio  $i$ , with an acceleration higher and a gear ratio  $i+1$ , with an acceleration lower than the reference acceleration. If the acceleration value in gear ratio  $i$  does not exceed ~~3.0~~ **2.0**  $m/s^2$ , use both gear ratios for the test. The weighting ratio in relation to the reference acceleration  $a_{wot\ ref}$  is calculated by:

$$k = (a_{wot\ ref} - a_{wot\ (i+1)}) / (a_{wot\ (i)} - a_{wot\ (i+1)})$$

- (c) If the acceleration value of gear ratio  $i$  exceeds ~~3.0~~ **2.0**  $m/s^2$ , the first gear ratio shall be used that gives an acceleration below ~~3.0~~ **2.0**  $m/s^2$  unless gear ratio  $i+1$  provides acceleration less than  $a_{urban}$ . In this case, two gears,  $i$  and  $i+1$  shall be used, including the gear  $i$  with acceleration exceeding ~~3.0~~ **2.0**  $m/s^2$ . In other cases, no other gear shall be used. The achieved acceleration  $a_{wot\ test}$  during the test shall be used for the calculation of the part power factor  $k_p$  instead of  $a_{wot\ ref}$ .
- (d) If the vehicle has a transmission in which there is only one selection for the gear ratio the acceleration test is carried out in this vehicle gear selection. The achieved acceleration is then used for the calculation of the part power factor  $k_p$  instead of  $a_{wot\ ref}$ .
- (e) If rated engine speed is exceeded in a gear ratio before the vehicle passes BB' the next higher gear shall be used.

3.1.2.1.4.2. Vehicles with automatic transmission, adaptive transmissions and CVTs tested with non-locked gear ratios:

The gear selector position for full automatic operation shall be used.

The acceleration value  $a_{\text{wot test}}$  shall be calculated as defined in paragraph 3.1.2.1.2.2.

The test may then include a gear change to a lower range and a higher acceleration. A gear change to a higher range and a lower acceleration is not allowed. A gear shifting to a gear ratio which is not used in urban traffic shall be avoided.

Therefore, it is permitted to establish and use electronic or mechanical devices, including alternate gear selector positions, to prevent a downshift to a gear ratio which is typically not used for the specified test condition in urban traffic.

The achieved acceleration  $a_{\text{wot test}}$  shall be greater or equal to  $a_{\text{urban}}$ .

If possible, the manufacturer shall take measures to avoid an acceleration value  $a_{\text{wot test}}$  greater than  $2.0 \text{ m/s}^2$ .

The achieved acceleration  $a_{\text{wot test}}$  is then used for the calculation of the partial power factor  $k_p$  (see paragraph 3.1.2.1.3.) instead  $a_{\text{wot ref}}$ .

3.1.2.1.5. Acceleration test

The manufacturer shall define the position of the reference point in front of line AA' of fully depressing the accelerator. The accelerator shall be fully depressed (as rapidly as is practicable) when the reference point of the vehicle reaches the defined point. The accelerator shall be kept in this depressed condition until the rear of the vehicle reaches line BB'. The accelerator shall then be released as rapidly as possible. The point of fully depressing the accelerator shall be reported ~~in the vehicle and test data in Addendum to the Communication form (Annex 1 Addendum)~~ **in Addendum to the Communication form (Annex 1 Addendum)** (annex 9). The Technical Service shall have the possibility of pretesting.

In the case of articulated vehicles consisting of two non-separable units regarded as a single vehicle, the semi-trailer shall be disregarded in determining when line BB' is crossed.

3.1.2.1.6. Constant speed test

The constant speed test shall be carried out with the same gear(s) specified for the acceleration test and a constant speed of 50 km/h with a tolerance of  $\pm 1 \text{ km/h}$  between AA' and BB'. During the constant speed test the acceleration control shall be positioned to maintain a constant speed between AA' and BB' as specified. If the gear is locked for the acceleration test, the same gear shall be locked for the constant speed test.

The constant speed test is not required for vehicles with a PMR  $< 25$ .

3.1.2.2. Vehicles of categories  $M_2 > 3500 \text{ kg}$ ,  $M_3$ ,  $N_2$ ,  $N_3$

The path of the ~~centreline~~ **centerline** of the vehicle shall follow line CC' as closely as possible throughout the entire test, from the approach to line AA' until the rear of the vehicle passes line BB'. The test shall be conducted without a trailer or semi-trailer. If a trailer is not readily separable from the towing vehicle the trailer shall be ignored when considering the crossing of line BB'. If the vehicle incorporates equipment such as a concrete mixer, a

compressor, etc, this equipment shall not be in operation during the test. The test mass of the vehicle shall be according to the table of paragraph 2.2.1.

Target conditions of category  $M_2 > 3500$  kg,  $N_2$ :

When the reference point passes line BB', the engine speed  $n_{BB'}$  shall be between 70 per cent and 74 per cent of speed S, at which the engine develops its rated maximum power, and the vehicle speed shall be  $35 \text{ km/h} \pm 5 \text{ km/h}$ . Between line AA' and line BB' a stable acceleration condition shall be ensured.

Target conditions of category  $M_3$ ,  $N_3$ :

When the reference point passes line BB', the engine speed  $n_{BB'}$  shall be between 85 per cent and 89 per cent of speed S, at which the engine develops its rated maximum power, and the vehicle speed shall be  $35 \text{ km/h} \pm 5 \text{ km/h}$ . Between line AA' and line BB' a stable acceleration condition shall be ensured.

#### 3.1.2.2.1. Gear ratio selection

##### 3.1.2.2.1.1. Vehicles with manual transmissions

Stable acceleration condition shall be ensured. The gear choice is determined by the target conditions. If the difference in speed exceeds the given tolerance, then two gears should be tested, one above and one below the target speed.

If more than one gear fulfils the target conditions select that gear which is closest to  $35 \text{ km/h}$ . If no gear fulfils the target condition for  $v_{\text{test}}$ , two gears shall be tested, one above and one below  $v_{\text{test}}$ . The target engine speed shall be reached in any condition.

A stable acceleration condition shall be ensured. If a stable acceleration cannot be ensured in a gear, this gear has to be disregarded.

##### 3.1.2.2.1.2. Vehicles with automatic transmissions, adaptive transmissions ~~and transmissions with variable gear ratio~~ (CVTs)

The gear selector position for full automatic operation shall be used. The test may then include a gear change to a lower range and a higher acceleration. A gear change to a higher range and a lower acceleration is not allowed. A gear shifting to a gear ratio which is not used in urban traffic, at the specified test condition, shall be avoided. Therefore, it is permitted to establish and use electronic or mechanical devices to prevent a downshift to a gear ratio which is typically not used at the specified test condition in urban traffic.

If the vehicle includes a transmission design, which provides only a single gear selection (drive), which limits engine speed during the test, the vehicle shall be tested using only a target vehicle speed. If the vehicle uses an engine and transmission combination that does not fulfill paragraph 3.1.2.2.1.1., the vehicle shall be tested using only the target vehicle speed. The target vehicle speed for the test is  $v_{BB'} = 35 \text{ km/h} \pm 5 \text{ km/h}$ . A gear change to a higher range and a lower acceleration is allowed after the reference point of the vehicle passes line PP'. Two tests must be performed, one with the end speed of  $v_{\text{test}} = v_{BB'} + 5 \text{ km/h}$ , and one with the end speed of  $v_{\text{test}} = v_{BB'} - 5 \text{ km/h}$ . The reported noise level is that result which is related to the test with the highest engine speed obtained during the test from AA' to BB'.

#### 3.1.2.2.2. Acceleration test

When the reference point of the vehicle reaches the line AA' the accelerator control shall be fully depressed (without operating the automatic downshift to a lower range than normally used in urban driving) and held fully depressed until the rear of the vehicle passes BB', but the reference point shall be at least 5 m behind BB'. The accelerator control shall then be released.

In the case of articulated vehicles consisting of two non-separable units regarded as a single vehicle, the semi-trailer shall be disregarded in determining when line BB' is crossed.

### 3.1.3. Interpretation of results

The maximum A-weighted sound pressure level indicated during each passage of the vehicle between the two lines AA' and BB' shall be noted. If a noise peak obviously out of character with the general sound pressure level is observed, the measurement shall be discarded. At least four measurements for each test condition shall be made on each side of the vehicle and for each gear ratio. Left and right side may be measured simultaneously or sequentially. The first four valid consecutive measurement results, within 2 dB(A), allowing for the deletion of non valid results (see paragraph 2.1.), shall be used for the calculation of the final result for the given side of the vehicle. The results of each side shall be averaged separately. The intermediate result is the higher value of the two averages mathematically rounded to the first decimal place.

The speed measurements at AA', BB', and PP' shall be noted and used in calculations to the first significant digit after the decimal place.

The calculated acceleration  $a_{wot\ test}$  shall be noted to the second digit after the decimal place.

#### 3.1.3.1. Vehicles of categories $M_1$ , $N_1$ and $M_2 \leq 3500$ kg

The calculated values for the acceleration test and the constant speed test are given by:

$$L_{wot\ rep} = L_{wot(i+1)} + k * (L_{wot(i)} - L_{wot(i+1)})$$

$$L_{crs\ rep} = L_{crs(i+1)} + k * (L_{crs(i)} - L_{crs(i+1)})$$

$$\text{Where } k = (a_{wot\ ref} - a_{wot(i+1)}) / (a_{wot(i)} - a_{wot(i+1)})$$

In the case of a single gear ratio test the values are the test result of each test.

The final result is calculated by combining  $L_{wot\ rep}$  and  $L_{crs\ rep}$ . The equation is:

$$L_{urban} = L_{wot\ rep} - k_p * (L_{wot\ rep} - L_{crs\ rep})$$

The weighting factor  $k_p$  gives the part power factor for urban driving. In cases other than a single gear test  $k_p$  is calculated by:

$$k_p = 1 - (a_{urban} / a_{wot\ ref})$$

If only one gear was specified for the test  $k_p$  is given by:

$$k_p = 1 - (a_{urban} / a_{wot\ test})$$

In cases where  $a_{wot\ test}$  is less than  $a_{urban}$ :

$$k_p = 0$$

#### 3.1.3.2. Vehicles of categories $M_2 > 3500$ kg, $M_3$ , $N_2$ , $N_3$

When one gear is tested the final result is equal to the intermediate result. When two gears are tested the arithmetic mean of the intermediate results shall be calculated.

- 3.2. Measurement of noise emitted by stationary vehicles
  - 3.2.1. Sound level in the vicinity of vehicles
    - The measurement results shall be entered into the **Addendum to the Communication form (Annex 1 Addendum) Annex 9**.
  - 3.2.2. Acoustic measurements
    - A precision sound level meter, or equivalent measuring system, as defined in paragraph 1.1. of this annex shall be used for the measurements.
  - 3.2.3. Test site - local conditions (see appendix of annex 3, figure 1)
    - 3.2.3.1. In the vicinity of the microphone, there shall be no obstacle that could influence the acoustical field and no person shall remain between the microphone and the noise source. The meter observer shall be positioned so as not to influence the meter reading.
  - 3.2.4. Disturbance sound and wind interference
    - Readings on the measuring instruments produced by ambient noise and wind shall be at least 10 dB(A) below the sound level to be measured. A suitable windscreen may be fitted to the microphone provided that account is taken of its effect on the sensitivity of the microphone (see paragraph 1.1. of this annex).
  - 3.2.5. Measuring method
    - 3.2.5.1. Nature and number of measurements
      - The maximum sound level expressed in A-weighted decibels (dB(A)) shall be measured during the operating period referred to in paragraph 3.2.5.3.2.1.
      - At least three measurements shall be taken at each measuring point.
    - 3.2.5.2. Positioning and preparation of the vehicle
      - The vehicle shall be located in the centre part of the test area with the gear selector in the neutral position and the clutch engaged. If the design of the vehicle does not allow this, the vehicle shall be tested in conformity with the manufacturer's prescriptions for stationary engine testing. Before each series of measurements, the engine must be brought to its normal operating condition, as specified by the manufacturer.
      - If the vehicle is fitted with fan(s) having an automatic actuating mechanism, this system shall not be interfered with during the sound level measurements.
      - The engine hood or compartment cover, if so fitted, shall be closed.
    - 3.2.5.3. Measuring of noise in proximity to the exhaust (see appendix of annex 3, figure 1)
      - 3.2.5.3.1. Positions of the microphone
        - 3.2.5.3.1.1. The microphone shall be located at a distance of  $0.5\text{ m} \pm 0.01\text{ m}$  from the reference point of the exhaust pipe defined in Figure 1, and at an angle of  $45^\circ(\pm 5^\circ)$  to the flow axis of the pipe termination. The microphone shall be at the height of the reference point, but not less than 0.2 m from the ground surface. The reference axis of the microphone shall lie in a plane parallel to



the ground surface and shall be directed toward the reference point on the exhaust outlet. If two microphone positions are possible, the location farthest laterally from the vehicle longitudinal ~~centreline~~ **centerline** shall be used. If the flow axis of the exhaust outlet pipe is at 90° to the vehicle longitudinal ~~centreline~~ **centerline**, the microphone shall be located at the point, which is farthest from the engine.

3.2.5.3.1.2. For vehicles having an exhaust provided with outlets spaced more than 0.3 m apart, measurements shall be made for each outlet. The highest level shall be recorded.

3.2.5.3.1.3. In the case of an exhaust provided with two or more outlets spaced less than 0.3 m apart and which are connected to the same silencer, only one measurement is made; the microphone position is related to the outlet nearest to one extreme edge of the vehicle or, when such outlet does not exist, to the outlet which is the highest above the ground.

3.2.5.3.1.4. For vehicles with a vertical exhaust (e.g. commercial vehicles) the microphone shall be placed at the height of the exhaust outlet. Its axis shall be vertical and oriented upwards. It shall be placed at a distance of  $0.5 \text{ m} \pm 0.01 \text{ m}$  from the exhaust pipe reference point, but never less than 0.2 m from the side of the vehicle nearest to the exhaust.

3.2.5.3.1.5. For exhaust outlets located under the vehicle body, the microphone shall be located a minimum of 0.2 m from the nearest part of the vehicle, at a point closest to, but never less than 0.5 m from the exhaust pipe reference point, and at a height of 0.2 m above the ground, and not in line with the exhaust flow. The angularity requirement in paragraph 3.2.5.3.1.2. may not be met in some cases.

3.2.5.3.1.6. **Examples of the position of the microphone, depending on the location of the exhaust pipe, are given in Figures 3a-3d in Appendix 1 to Annex 3.**

3.2.5.3.2. Operating conditions of the engine

3.2.5.3.2.1. Target engine speed

The target engine speed is defined as:

- (a) 75 per cent of the engine speed  $S$  for vehicles with a rated engine speed  $\leq 5,000 \text{ min}^{-1}$
- (b)  $3,750 \text{ min}^{-1}$  for vehicles with a rated engine speed above  $5,000 \text{ min}^{-1}$  and below  $7,500 \text{ min}^{-1}$
- (c) 50 per cent of the engine speed  $S$  for vehicles with a rated engine speed  $\geq 7,500 \text{ min}^{-1}$ .

If the vehicle cannot reach the engine speed as stated above, the target engine speed shall be 5 per cent below the maximum possible engine speed for that stationary test.

3.2.5.3.2.2. Test procedure

The engine speed shall be gradually increased from idle to the target engine speed, not exceeding a tolerance band of  $\pm 3$  per cent of the target engine speed, and held constant. Then the throttle control shall be rapidly released and the engine speed shall return to idle. The noise level shall be measured during a period of operation consisting of a ~~maintenance of~~ maintaining constant engine speed of 1 second and throughout the entire deceleration period. ~~‡~~The maximum sound level meter reading **during this period of**

**operation**, mathematically rounded to the first decimal place, is taken as the test value.

3.2.5.3.2.3. Test validation

The measurement shall be regarded as valid if the test engine speed does not deviate from the target engine speed by more than  $\pm 3$  per cent for at least 1 second.

3.2.6. Results

At least three measurements for each test position shall be made. The maximum A-weighted sound pressure level indicated during each of the three measurements shall be recorded. The first three valid consecutive measurement results, within 2 dB(A), allowing for the deletion of non valid results (see paragraph 2.1. except the specifications of the test site), shall be used for the determination of the final result for the given measurement position. The maximum sound level, for all measurement positions, and of the three measurement results, constitutes the final result.

**[4. Noise from the hybrid vehicle of categories M1 in motion, where an internal combustion engine cannot operate when the vehicle is stationary (data reported to facilitate testing of the vehicle in use).**

**4.1. In order to facilitate in-use compliance test of hybrid vehicles – where an internal combustion engine cannot operate when the vehicle is stationary –, the following information relating to the sound-pressure level measurements carried out in accordance with paragraph 3.1 of Annex 3 for the motor vehicles in motion is referred to as in-use compliance reference data:**

- a) Gear (i) or, for vehicles tested with non-locked gear ratios, the position of the gear selector chosen for the test;
- b) Position of the operating switch during measurement of the sound pressure level  $L_{wot,(i)}$  (if switch is fitted).
- c) The pre-acceleration length IPA in m;
- d) The average vehicle speed in km/h at the beginning of the full throttle acceleration for tests in gear (i); and
- e) The sound pressure level  $L_{wot,(i)}$  in dB(A) of the wide-open-throttle tests in gear (i), defined as the maximum of the two values resulting from averaging the individual measurement results at each microphone position separately.

**4.2. The in-use compliance reference data shall be entered in the Type-Approval Certificate as specified in point 2.3. of the Addendum to Appendix 2 to Annex 1.]**

Annex 3 - Appendix

Measuring positions for vehicles in motion

Figure 1  
Measuring positions for stationary vehicles  
(examples)

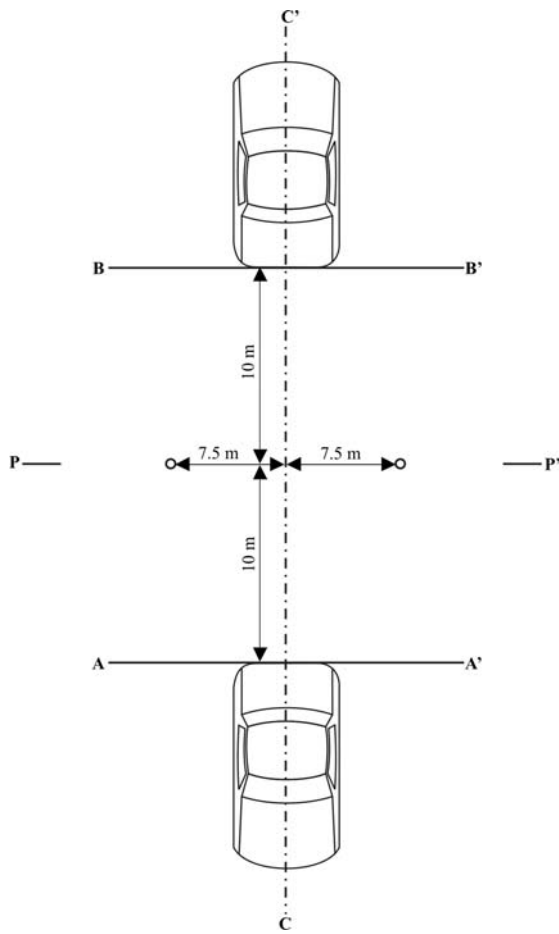


Figure 2

Reference point

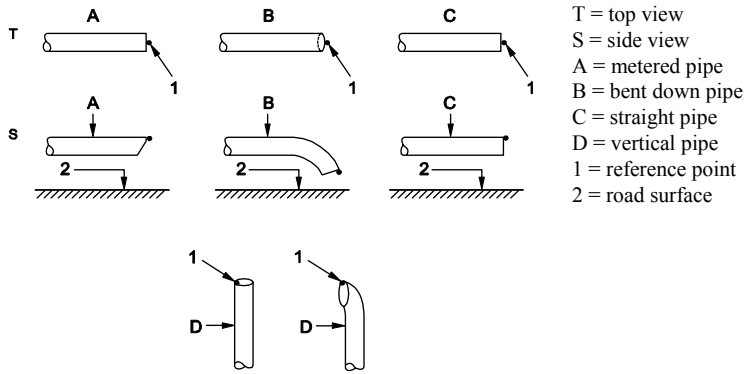


Figure 3a

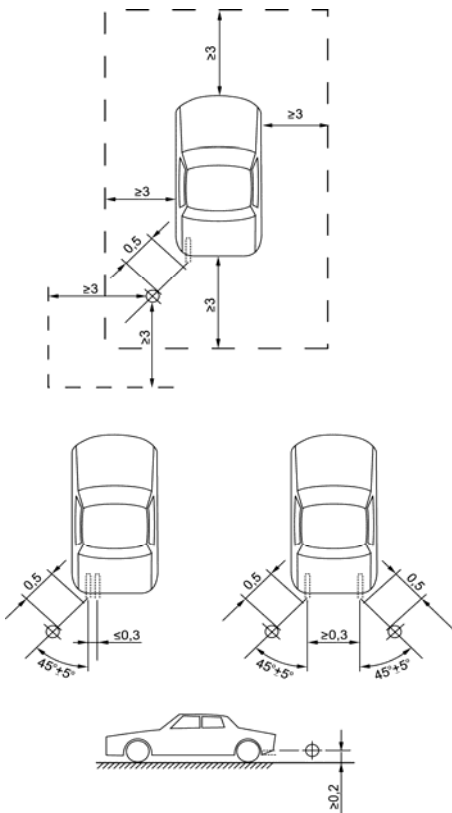


Figure 3b

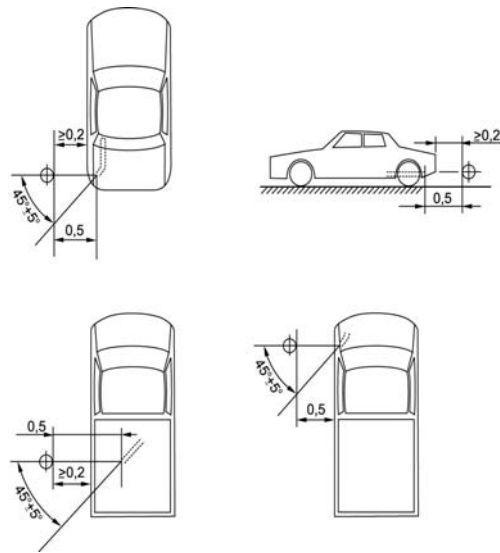


Figure 3c

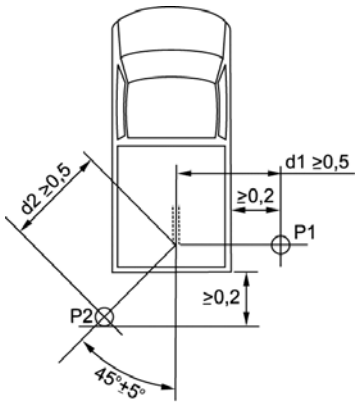
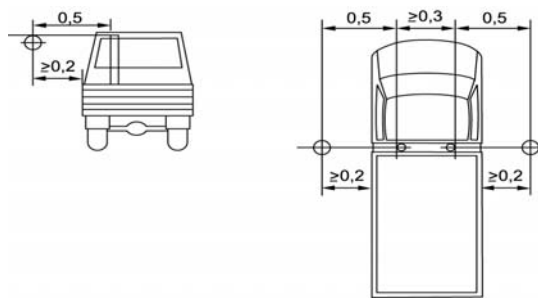


Figure 3d



## Annex 4

~~Classification of vehicles<sup>1</sup>~~

- ~~1. Category L  
(Not applicable for this Regulation)~~
- ~~2. Category M Power driven vehicles having at least four wheels and used for the carriage of passengers~~
  - ~~2.1. Category M<sub>1</sub>: Vehicles used for the carriage of passengers and comprising not more than eight seats in addition to the driver's seat.~~
  - ~~2.2. Category M<sub>2</sub>: Vehicles used for the carriage of passengers, comprising more than eight seats in addition to the driver's seat, and having a maximum mass not exceeding 5 tons.~~
  - ~~2.3. Category M<sub>3</sub>: Vehicles used for the carriage of passengers, comprising more than eight seats in addition to the driver's seat, and having a maximum mass exceeding 5 tons.~~
  - ~~2.4. Vehicles of categories M<sub>2</sub> and M<sub>3</sub> belong to one of the three following classes:
 
    - ~~2.4.1. Class I "city bus": a vehicle of this class has seats, and spaces for standing passengers.~~
    - ~~2.4.2. Class II "interurban bus or coach": a vehicle of this class may have provision for standing passengers, but only in the gangway.~~
    - ~~2.4.3. Class III "touring coach": a vehicle of this class has no provisions to carry standing passengers.~~~~
  - ~~2.5. Remarks
 
    - ~~2.5.1. "Articulated bus or coach" is a vehicle which consists of two or more rigid sections which articulate relative to one another; the passenger compartments of each section intercommunicate so that passengers can move freely between them; the rigid sections are permanently connected so that they can only be separated by an operation involving facilities which are normally only found in a workshop.~~
    - ~~2.5.2. Articulated buses or coaches comprising two or more non-separable but articulated units shall be considered as single vehicles.~~
    - ~~2.5.3. In the case of a towing vehicle designed to be coupled to a semitrailer (tractor for semi-trailer), the mass to be considered for classifying the vehicle is the mass of the tractor vehicle in running trim, increased by the mass corresponding to the maximum static vertical load transferred to the tractor vehicle by the semi-trailer and, where applicable, by the maximum mass of the tractor vehicle's own load.~~~~

<sup>1</sup> In conformity with the Consolidated Resolution on the Construction of Vehicles (R.E.3) (TRANS/SC1/WP29/78/Amend.3, annex 7).

3. ~~Category N: Power-driven vehicles having at least four wheels and used for the carriage of goods.~~
- 3.1. ~~Category N<sub>1</sub>: Vehicles used for the carriage of goods and having a maximum mass not exceeding 3.5 tons.~~
- 3.2. ~~Category N<sub>2</sub>: Vehicles used for the carriage of goods and having a maximum mass exceeding 3.5 tons but not exceeding 12 tons.~~
- 3.3. ~~Category N<sub>3</sub>: Vehicles used for the carriage of goods and having a maximum mass exceeding 12 tons.~~
- 3.4. ~~Remarks~~
- 3.4.1. ~~In the case of a towing vehicle designed to be coupled to a semitrailer (tractor for semi trailer), the mass to be considered for classifying the vehicle is the mass of the tractor vehicle in running trim, increased by the mass corresponding to the maximum static vertical load transferred to the tractor vehicle by the semi-trailer and, where applicable, by the maximum mass of the tractor vehicle's own load.~~
- 3.4.2. ~~The equipment and installations carried on certain special purpose vehicles (crane vehicles, workshop vehicles, publicity vehicles, etc.) are regarded as being equivalent to goods.~~

## Annex 5 4

### Silencing systems containing acoustically absorbing fibrous materials (see definitions 2.19 – 2.21 for proper wording)

1. General

Sound absorbing fibrous materials may be used in silencing systems or components thereof only if

  - (a) The exhaust gas is not in contact with the fibrous materials; or if
  - (b) The silencing system or components thereof are of the same design family as systems or components for which it has been proven, in the course of type approval process in accordance with the requirements of this regulation for another vehicle-type, that they are not subject to deterioration.

Unless one of these conditions is fulfilled, the complete silencing system or components thereof shall be submitted to a conventional conditioning using one of three installations and procedures described below.
- 1.1. Continuous road operation for 10,000 km
  - 1.1.1. 50 ± 20 per cent of this operation shall consist of urban driving and the remaining operation shall be long-distance runs at high speed; continuous road operation may be replaced by a corresponding test-track programme **program**.
  - 1.1.2. The two speed regimes shall be alternated at least twice.
  - 1.1.3. The complete test program shall include a minimum of 10 breaks of at least three hours duration in order to reproduce the effects of cooling and any condensation which may occur.
- 1.2. Conditioning on a test bench
  - 1.2.1. Using standard parts and observing the vehicle manufacturer's instructions, the silencing system or components thereof shall be fitted to the vehicle referred to in paragraph 3.3. of this Regulation or the engine referred to in paragraph 3.4. of this Regulation. In the former case the vehicle shall be mounted on a roller dynamometer. In the second case, the engine shall be coupled to a dynamometer.
  - 1.2.2. The test shall be conducted in six six-hour periods with a break of at least 12 hours between each period in order to reproduce the effects of cooling any condensation which may occur.
  - 1.2.3. During each six-hour period, the engine shall be run, under the following conditions:
    - (a) Five minutes at idling speed;
    - (b) One-hour sequence under 1/4 load at 3/4 of rated maximum speed (S);
    - (c) One-hour sequence under 1/2 load at 3/4 of rated maximum speed (S);
    - (d) 10-minute sequence under full load at 3/4 of rated maximum speed (S);
    - (e) 15-minute sequence under 1/2 load at rated maximum speed (S);



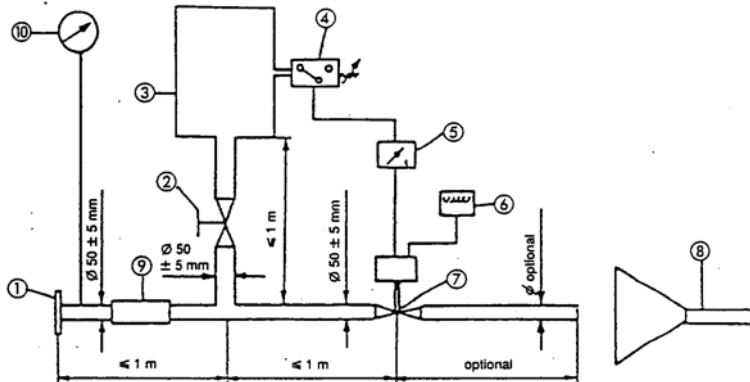
(f) 30-minute sequence under 1/4 load at rated maximum speed (S).

Each period shall comprise two sequenced sets of the six above-mentioned conditions in consecutive order from (a) to (f).

- 1.2.4. During the test, the silencing system or components thereof shall not be cooled by a forced draught simulating normal airflow around the vehicle. Nevertheless, at the request of the manufacturer, the silencing system or components thereof may be cooled in order not to exceed the temperature recorded at its inlet when the vehicle is running at maximum speed.
- 1.3. Conditioning by pulsation
- 1.3.1. The silencing system or components thereof shall be fitted to the vehicle referred to in paragraph 3.3. of this Regulation or the engine referred to in paragraph 3.4. of this Regulation. In the former case the vehicle shall be mounted on a roller dynamometer.
- In the second case, the engine shall be mounted on a dynamometer. The test apparatus, a detailed diagram of which is shown in Figure 3 of the appendix to this annex shall be fitted at the outlet of the silencing system. Any other apparatus providing equivalent results is acceptable.
- 1.3.2. The test apparatus shall be adjusted in such a way that the exhaust-gas flow is alternatively interrupted and re-established by the quick-action valve for 2,500 cycles.
- 1.3.3. The valve shall open when the exhaust-gas back pressure, measured at least 100 mm downstream of the intake flange, reaches a value of between 35 and 40 kPa. It shall close when this pressure does not differ by more than 10 per cent from its stabilized value with the valve open.
- 1.3.4. The time-delay switch shall be set for the duration of gas exhaust resulting from the provisions laid down in paragraph 1.3.3. above.
- 1.3.5. Engine speed shall be 75 per cent of the speed (S) at which the engine develops maximum power.
- 1.3.6. The power indicated by the dynamometer shall be 50 per cent of the full-throttle power measured at 75 per cent of engine speed (S).
- 1.3.7. Any drain holes shall be closed off during the test.
- 1.3.8. The entire test shall be completed within 48 hours.
- If necessary, one cooling period will be observed after each hour.

## Annex 54 - Appendix

Figure 3  
Test apparatus for conditioning by pulsation



1. Inlet flange or sleeve for connection to the rear of the test exhaust system.
2. Hand-operated regulating valve.
3. Compensating reservoir with a maximum capacity of 40 l and a filling time of not less than one second.
4. Pressure switch with an operating range of 0.05 to 2.5 bar.
5. Time delay switch.
6. Pulse counter.
7. Quick-acting valve, such as exhaust brake valve 60 mm in diameter, operated by a pneumatic cylinder with an output of 120 N at 4 bar. The response time, both when opening and closing, must not exceed 0.5 second.
8. Exhaust gas evacuation.
9. Flexible pipe.
10. Pressure gauge.

## Annex 6 5

### Compressed air noise

1. Method of measurement

The measurement is performed at microphone positions 2 and 6 according to Figure 1, with the vehicle stationary. The highest A-weighted noise level is registered during venting the pressure regulator and during ventilating after the use of both the service and parking brakes.

The noise during venting the pressure regulator is measured with the engine at idling speed. The ventilating noise is registered while operating the service and parking brakes; before each measurement, the air-compressor unit has to be brought up to the highest permissible operating pressure, and then the engine switched off.

2. Evaluation of the results

For all microphone positions two measurements are taken. In order to compensate for inaccuracies of the measuring equipment, the ~~metre~~ meter reading is reduced by 1 dB(A), and the reduced value is taken as the result of measurement. The results are taken as valid if the difference between the measurements at one microphone position does not exceed 2 dB(A). The highest value measured is taken as the result. If this value exceeds the noise limit by 1 dB(A), two additional measurements are to be taken at the corresponding microphone position.

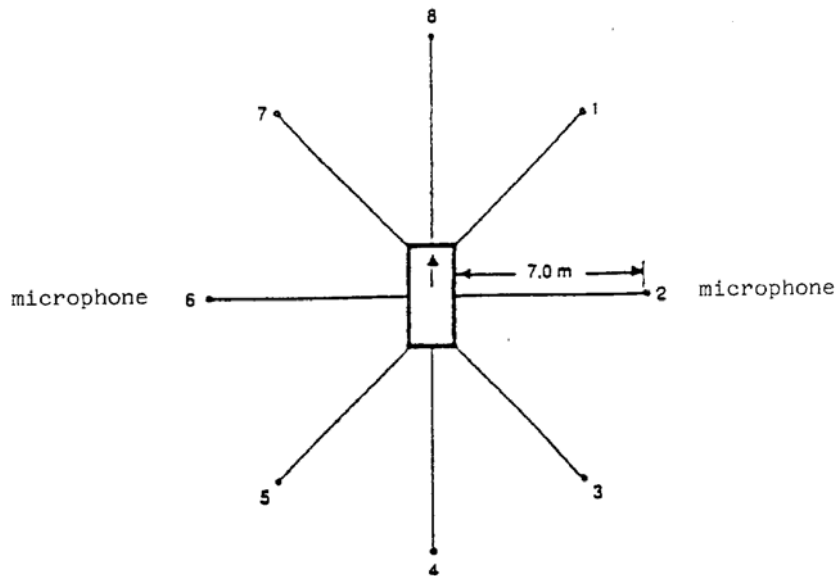
In this case, three out of the four results of measurement obtained at this position have to comply with the noise limit.

3. Limiting value

The sound level shall not exceed the limit of 72 dB(A).

## Annex 6 5 - Appendix

Figure 1:  
Microphone positions for measurement of compressed air noise



The measurement is performed at the stationary vehicle according to Figure 1, using two microphone positions at a distance of 7 m from the contour of the vehicles, and at 1.2 m above ground.

## Annex 7 6

### Checks on conformity of production

1. General

These requirements are consistent with the test for checking conformity of production (COP) according to paragraph 8. of this Regulation.
2. Testing procedure

The test site and measuring instruments shall be those as described in Annex 3.

  - 2.1. The vehicle(s) under test shall be subjected to the test for measurement of sound of vehicle in motion as described in paragraph 3.1. of Annex 3.
  - 2.2. Compressed air ~~sound~~ **noise**

Vehicles having a **technically permissible** maximum **laden** mass exceeding 2,800 kg and equipped with compressed air systems must be subjected to an additional test for measurement of the compressed air ~~sound~~ **noise** as described in paragraph 1 of Annex 6.
  - 2.3. Additional sound emission provisions

The vehicle manufacturer shall assess the compliance with ASEP by an appropriate evaluation (for example, but not limited to, part checks) or may perform the test described in Annex 10.
3. Sampling and evaluation of the results

One vehicle has to be chosen and subjected to the tests of paragraph 2. above. If the test results ~~fulfil~~ **fulfill** the COP requirements of paragraph 8. of the main body of this Regulation, the vehicle is considered to be in compliance with the COP provisions.

If one of the test results does not ~~fulfil~~ **fulfill** the COP requirements of paragraph 8. of the main body of this Regulation two more vehicles of the same type shall be tested pursuant to paragraph 2. above.

If the test results for the second and the third vehicle fulfill the COP requirements of paragraph 8. of the main body of this Regulation, the vehicle is considered in compliance with regard to the COP.

If one of the test results of the second or third vehicle does not fulfill the COP requirements of paragraph 8. of the main body of this Regulation the vehicle type shall be considered not to conform to the requirements of this Regulation and the manufacturer shall take the necessary measures to re-establish the conformity.

## Annex 8 7

### Specifications for the test site \*)

1. Introduction
 

This annex describes the specifications relating to the physical characteristics and the laying of the test track. These specifications based on a special standard<sup>1</sup> describe the required physical characteristics as well as the test methods for these characteristics.
2. Required characteristics of the surface
 

A surface is considered to conform to this standard provided that the texture and voids content or sound absorption coefficient have been measured and found to fulfil all the requirements of paragraphs 2.1. to 2.4. below and provided that the design requirements (para. 3.2.) have been met.

  - 2.1. Residual voids content
 

The residual voids content, VC, of the test track paving mixture shall not exceed 8 percent. For the measurement procedure, see paragraph 4.1.
  - 2.2. Sound absorption coefficient
 

If the surface fails to comply with the residual voids content requirement, the surface is acceptable only if its sound absorption coefficient,  $\alpha \leq 0.10$ . For the measurement procedure, see para. 4.2. The requirement of paragraphs 2.1. and 2.2. is met also if only sound absorption has been measured and found to be  $\alpha \leq 0.10$ .

*Note:* The most relevant characteristic is the sound absorption, although the residual voids content is more familiar among road constructors. However, sound absorption needs to be measured only if the surface fails to comply with the voids requirement. This is motivated because the latter is connected with relatively large uncertainties in terms of both measurements and relevance and some surfaces therefore erroneously may be rejected when based only on the voids measurement.
  - 2.3. Texture depth
 

The texture depth (TD) measured according to the volumetric method (see paragraph 4.3. below) shall be:

$$TD \geq 0.4 \text{ mm}$$
  - 2.4. Homogeneity of the surface
 

Every practical effort shall be taken to ensure that the surface is made to be as homogeneous as possible within the test area. This includes the texture and voids content, but it should also be observed that if the rolling process results in more effective rolling at some places than others, the texture may be different and unevenness causing bumps may also occur.

<sup>1</sup> ISO 10844:1994.

\*) The specifications for the test site reproduced in this annex are valid until the end of the period indicated in 11.8 of the main body.

Formatted: Indent: Left: 1.65 cm,  
Hanging: 0.1 cm

Formatted: English (U.S.)

## 2.5. Period of testing

In order to check whether the surface continues to conform to the texture and voids content or sound absorption requirements stipulated in this standard, periodic testing of the surface shall be done at the following intervals:

### (a) For residual voids content or sound absorption:

When the surface is new;

If the surface meets the requirements when new, no further periodical testing is required. If it does not meet the requirement when it is new, it may do later because surfaces tend to become clogged and compacted with time.

### (b) For texture depth (TD):

When the surface is new;

When the noise testing starts (NB: not before four weeks after laying);

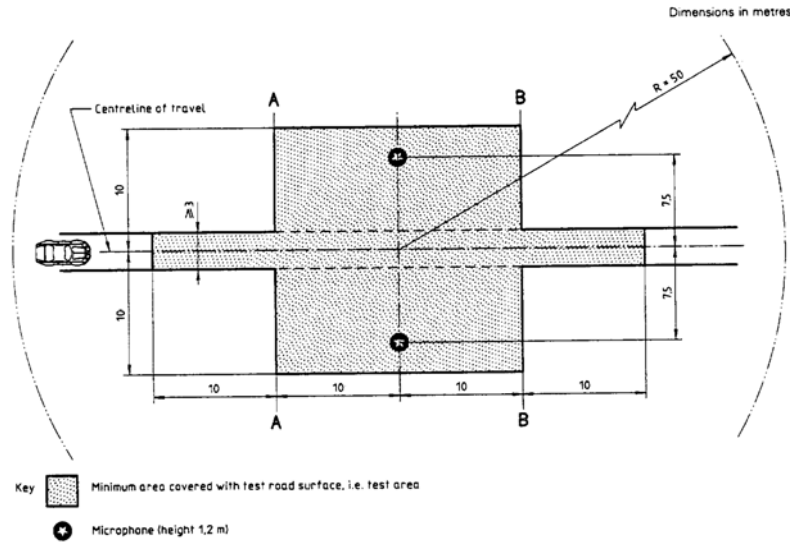
Then every twelve months.

## 3. Test surface design

### 3.1. Area

When designing the test track layout it is important to ensure that, as a minimum requirement, the area traversed by the vehicles running through the test strip is covered with the specified test material with suitable margins for safe and practical driving. This will require that the width of the track is at least 3 m and the length of the track extends beyond lines AA and BB by at least 10 m at either end. Figure 1 shows a plan of a suitable test site and indicates the minimum area which shall be machine laid and machine compacted with the specified test surface material. According to Annex 3, paragraph 3.1.1.1., measurements have to be made on each side of the vehicle. This can be made either by measuring with two microphone locations (one on each side of the track) and driving in one direction, or measuring with a microphone only on one side of the track but driving the vehicle in two directions. If the latter method is used, then there are no surface requirements on that side of the track where there is no microphone.

Figure 1:  
**Minimum requirement for test surface area. The shaded part is the "Test Area".**



NOTE — There shall be no large acoustically reflective objects within this radius.

3.2. Design and preparation of the surface

3.2.1. Basic design requirements

The test surface shall meet four design requirements:

- 3.2.1.1. It shall be a dense asphaltic concrete.
- 3.2.1.2. The maximum chipping size shall be 8 mm (tolerances allow from 6.3 to 10 mm).
- 3.2.1.3. The thickness of the wearing course shall be  $\geq 30$  mm.
- 3.2.1.4. The binder shall be a straight penetration grade bitumen without modification.

3.2.2. Design guidelines

As a guide to the surface constructor, an aggregate grading curve which will give desired characteristics is shown in Figure 2. In addition, Table 1 gives some guidelines in order to obtain the desired texture and durability. The grading curve fits the following formula:

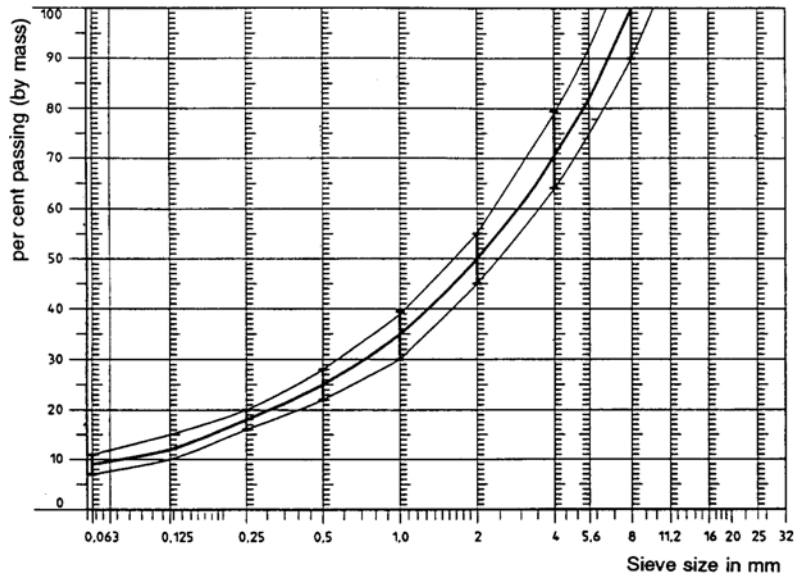
$$P \text{ (percent passing)} = 100 \cdot (d/d_{\max})^{1/2}$$

where:

- d = square mesh sieve size, in mm
- $d_{\max}$  = 8 mm for the mean curve
- $d_{\max}$  = 10 mm for the lower tolerance curve
- $d_{\max}$  = 6.3 mm for the upper tolerance curve



Figure 2:  
Grading curve of the aggregate in the asphaltic mix with tolerances.



In addition to the above, the following recommendations are given:

- (a) The sand fraction (0.063 mm < square mesh sieve size < 2 mm) shall include no more than 55 percent natural sand and at least 45 percent crushed sand;
- (b) The base and sub-base shall ensure a good stability and evenness, according to best road construction practice;
- (c) The chippings shall be crushed (100 percent crushed faces) and of a material with a high resistance to crushing;
- (d) The chippings used in the mix shall be washed;
- (e) No extra chippings shall be added onto the surface;
- (f) The binder hardness expressed as PEN value shall be 40-60, 60-80 or even 80-100 depending on the climatic conditions of the country. The rule is that as hard a binder as possible shall be used, provided this is consistent with common practice;
- (g) The temperature of the mix before rolling shall be chosen so as to achieve by subsequent rolling the required voids content. In order to increase the probability of satisfying the specifications of paragraphs 2.1. to 2.4. above, the compactness shall be studied not only by an appropriate choice of mixing temperature, but also by an appropriate number of passings and by the choice of compacting vehicle.

Table 1:  
Design guidelines

	Target values		Tolerances
	By total mass of mix	By mass of the aggregate	
Mass of stones, square mesh sieve (SM) > 2 mm	47.6 percent	50.5 percent	±5
Mass of sand 0.063 < SM < 2 mm	38.0 percent	40.2 percent	±5
Mass of filler SM < 0.063 mm	8.8 percent	9.3 percent	±2
Mass of binder (bitumen)	5.8 percent	N.A.	±0.5
Max. chipping size	8 mm		±6.3 - 10
Binder hardness	(see para. 3.2.2. (f))		
Polished stone value (PSV)	>50		
Compactness, relative to Marshall compactness	98 percent		

#### 4. Test method

##### 4.1. Measurement of the residual voids content

For the purpose of this measurement, cores have to be taken from the track in at least four different positions which are equally distributed in the test area between lines AA and BB (see figure 1). In order to avoid inhomogeneity and unevenness in the wheel tracks, cores should not be taken in wheel tracks themselves, but close to them. Two cores (minimum) should be taken close to the wheel tracks and one core (minimum) should be taken approximately midway between the wheel tracks and each microphone location.

If there is a suspicion that the condition of homogeneity is not met (see paragraph 2.4.), cores shall be taken from more locations within the test area.

The residual voids content has to be determined for each core, then the average value from all cores shall be calculated and compared with the requirement of paragraph 2.1. In addition, no single core shall have a voids value which is higher than 10 percent. The test surface constructor is reminded of the problem which may arise when the test area is heated by pipes or electrical wires and cores must be taken from this area. Such installations must be carefully planned with respect to future core drilling locations. It is recommended to leave a few locations of size approximately 200 x 300 mm where there are no wires/pipes or where the latter are located deep enough in order not to be damaged by cores taken from the surface layer.

##### 4.2. Sound absorption coefficient

The sound absorption coefficient (normal incidence) shall be measured by the impedance tube method using the procedure specified in ISO 10534-1: "Acoustics - Determination of sound absorption coefficient and impedance by a tube method".<sup>2</sup>

<sup>2</sup> To be published

Regarding test specimens, the same requirements shall be followed as regarding the residual voids content (see paragraph 4.1.). The sound absorption shall be measured in the range between 400 Hz and 800 Hz and in the range between 800 Hz and 1,600 Hz (at least at the centre frequencies of third octave bands) and the maximum values shall be identified for both of these frequency ranges. Then these values, for all test cores, shall be averaged to constitute the final result.

4.3. Volumetric macrotexture measurement

For the purpose of this standard, texture depth measurements shall be made on at least 10 positions evenly spaced along the wheel tracks of the test strip and the average value taken to compare with the specified minimum texture depth. See ISO 10844:1994 for the description of the procedure.

5. Stability in time and maintenance

5.1. Age influence

In common with any other surfaces, it is expected that the tyre/road noise level measured on the test surface may increase slightly during the first 6-12 months after construction.

The surface will achieve its required characteristics not earlier than four weeks after construction. The influence of age on the noise from trucks is generally less than that from cars.

The stability over time is determined mainly by the polishing and compaction by vehicles driving on the surface. It shall be periodically checked as stated in paragraph 2.5.

5.2. Maintenance of the surface

Loose debris or dust which could significantly reduce the effective texture depth must be removed from the surface. In countries with winter climates, salt is sometimes used for deicing. Salt may alter the surface temporarily or even permanently in such a way as to increase noise and is therefore not recommended.

5.3. Repaving the test area

If it is necessary to repave the test track, it is usually unnecessary to repave more than the test strip (of 3 m width in figure 1) where vehicles are driving, provided the test area outside the strip met the requirement of residual voids content or sound absorption when it was measured.

6. Documentation of the test surface and of tests performed on it

6.1. Documentation of the test surface

The following data shall be given in a document describing the test surface:

6.1.1. The location of the test track.

6.1.2. Type of binder, binder hardness, type of aggregate, maximum theoretical density of the concrete (DR), thickness of the wearing course and grading curve determined from cores from the test track.

6.1.3. Method of compaction (e.g. type of roller, roller mass, number of passes).

6.1.4. Temperature of the mix, temperature of the ambient air and wind speed during laying of the surface.

- 6.1.5. Date when the surface was laid and contractor.
- 6.1.6. All or at least the latest test result, including:
  - 6.1.6.1. The residual voids content of each core.
  - 6.1.6.2. The locations in the test area from where the cores for voids measurements have been taken.
  - 6.1.6.3. The sound absorption coefficient of each core (if measured). Specify the results both for each core and each frequency range as well as the overall average.
  - 6.1.6.4. The locations in the test area from where the cores for absorption measurement have been taken.
  - 6.1.6.5. Texture depth, including the number of tests and standard deviation.
  - 6.1.6.6. The institution responsible for tests according to paragraphs 6.1.6.1. and 6.1.6.2. and the type of equipment used.
  - 6.1.6.7. Date of the test(s) and date when the cores were taken from the test track.
- 6.2. Documentation of vehicle noise tests conducted on the surface In the document describing the vehicle noise test(s) it shall be stated whether all the requirements of this standard were fulfilled or not. Reference shall be given to a document according to paragraph 6.1. describing the results which verify this.

**Annex 9**

**Vehicle and test data pursuant to measurements Annex 3**

Information reported in Annex 1 need not to be repeated

- 1. Trade name or mark of the vehicle .....
- 2. Vehicle type .....
- 2.1. Maximum mass including semi-trailer (where applicable) .....
- 3. Manufacturer's name and address .....
- 4. If applicable, name and address of manufacturer's representative .....
- 5. Engine:
  - 5.1. Manufacturer: .....
  - 5.2. Type: .....
  - 5.3. Model: .....
  - 5.4. Rated maximum power (ECE): ..... kW at ..... min<sup>-1</sup> (rpm).
  - 5.5. Kind of engine: e.g. positive ignition, compression ignition, etc.<sup>1</sup> .....
  - 5.6. Cycles: two stroke or four stroke (if applicable) .....
  - 5.7. Cylinder capacity (if applicable) .....
- 6. Transmission: non-automatic gearbox/automatic gearbox<sup>2</sup>
  - 6.1. Number of gears .....
- 7. Equipment:
  - 7.1. Exhaust silencer: .....
    - 7.1.1. Manufacturer or authorized representative (if any) .....
    - 7.1.2. Model: .....
    - 7.1.3. Type: ..... in accordance with drawing No.: .....
  - 7.2. Intake silencer: .....
    - 7.2.1. Manufacturer or authorized representative (if any) .....
    - 7.2.2. Model: .....
    - 7.2.3. Type: ..... in accordance with drawing No.: .....
  - 7.3. Elements of capsulation
    - 7.3.1. Elements of noise encapsulation as defined by the vehicle manufacturer

<sup>1</sup> If a non-conventional engine is used, this should be stated.

<sup>2</sup> Strike out what does not apply.

- 7.3.2. Manufacturer or authorized representative (if any)
- 7.4. Tyres
- 7.4.1. Tyre size(s) (by axle): .....
8. Measurements:
- 8.1. Length of the vehicle ( $l_{veh}$ ): ..... mm
- 8.2. Point of accelerator depression: ..... m before line AA<sup>2</sup>
- 8.2.1. Engine speed in gear  $i$  at: AA' / PP<sup>1</sup> ..... min<sup>-1</sup> (rpm)  
 ..... BB<sup>2</sup> ..... min<sup>-1</sup> (rpm)
- 8.2.2. Engine speed in gear  $(i+1)$  at: AA' / PP<sup>1</sup> ..... min<sup>-1</sup> (rpm)  
 ..... BB' ..... min<sup>-1</sup> (rpm)
- 8.3. Type approval number of tyre(s): .....
- ..... If not available, the following information shall be provided:
- 8.3.1. Tyre manufacturer .....
- 8.3.2. Commercial description(s) of the type of tyre (by axle), (e.g. trade name, speed index, load index): .....
- 8.3.3. Tyre size (by axle): .....
- 8.3.4. Type approval number (if available): .....
- 8.4. Noise level of moving vehicle:
- ..... Test result ( $l_{urban}$ ): ..... dB(A)
- ..... Test result ( $l_{wet}$ ): ..... dB(A)
- ..... Test result ( $l_{cruise}$ ): ..... dB(A)
- .....  $k_p$  factor: .....
- 8.5. Noise level of stationary vehicle:
- ..... Position and orientation of microphone (according to figure 2 in appendix of annex 3)
- ..... Test result for stationary test: ..... dB(A)
- 8.6. Noise level of compressed air sound:
- ..... Test result for:
- ..... (a) service brake: ..... dB(A)
- ..... (b) parking brake: ..... dB(A)
- ..... (c) during the pressure regulator actuation: ..... dB(A)
9. Vehicle submitted for approval on: .....
10. Technical Service responsible for type approval tests: .....
- .....
11. Date of test report issued by that service: .....
12. Number of test report issued by that service: .....
13. Position of approval mark on the vehicle .....

- 14. Place: .....
- 15. Date: .....
- 16. Signature: .....
- 17. The following documents, bearing the approval number shown above, are annexed to this document: .....
- .....
- .....
- ..... Drawings and/or photographs, diagrams and plans of the engine and of the noise reduction system;
- ..... List of components, duly identified constituting the noise reduction system.
- 18. Reason for extension of approval: .....
- 19. Remarks: .....

## Annex 10 8

## Measuring method to evaluate compliance with the Additional Sound Emission Provisions

Only applicable for vehicles as specified in paragraph 6.2.3. of this Regulation

### 1. General

This annex describes a measuring method to evaluate compliance of the vehicle with the additional sound emission provisions (ASEP) conforming with paragraph 6.2.3. of this Regulation.

The vehicle shall meet the requirements in this annex. Actual tests are **not** mandatory when applying for type approval. The manufacturer shall sign a declaration of compliance conforming to Appendix 1 of this annex. The type approval authority shall have the possibility to ask for additional information about the declaration of compliance and/or carry out the tests described below.

The analysis of Annex 10 requires the performance of a test according to Annex 3. The test specified in Annex 3 to this Regulation has to be performed on the same test track under similar conditions as the tests according to this annex.

### 2. Measuring method

#### 2.1. Measuring instruments and condition of measurements

Unless otherwise specified, the measuring instruments, the conditions of the measurements and the condition of the vehicle are equivalent to those specified in Annex 3, paragraphs 1. and 2.

If the vehicle has different modes that affect sound emission, all modes shall comply with the requirements in this annex. In the case where the manufacturer has performed tests to prove to the approval authority compliance with the above requirements, the modes used during those tests shall be reported in a test report.

#### 2.2. Method of testing

Unless otherwise specified, the conditions and procedures of Annex 3 paragraphs 3.1. to 3.1.2.1.2.2. shall be used. For the purpose of this annex, single test runs are measured and evaluated.

#### 2.3. Control range

Operation conditions are as follows:

Vehicle speed  $V_{AA\_ASEP}$ :  $v_{AA} \geq 20$  km/h

Vehicle acceleration  $a_{WOT\_ASEP}$ :  $a_{WOT} \leq 5.0$  m/s<sup>2</sup>

Engine speed  $n_{BB\_ASEP}$ :  $n_{BB} \leq 2.0 * pmr^{-0.222} * s$  or

$n_{BB} \leq 0.9 * s$ , whichever is the lowest

Vehicle speed  $V_{BB\_ASEP}$ :



if  $n_{BB\_ASEP}$  is reached in one gear  $v_{BB} \leq 70$  km/h  
 in all other cases  $v_{BB} \leq 80$  km/h  
 gears  $k \leq$  gear ratio  $i$  as determined in Annex 3

If the vehicle, in the lowest valid gear, does not achieve the maximum engine speed below 70 km/h, the vehicle speed limit is 80 km/h.

#### 2.4. Gear ratios

The ASEP requirements apply to every gear ratio  $k$  that leads to test results within the control range as defined in paragraph 2.3. of this annex.

In case of vehicles with automatic transmissions, adaptive transmissions and CVT's tested with non-locked gear ratios, the test may include a gear ratio change to a lower range and a higher acceleration. A gear change to a higher range and a lower acceleration is not allowed. A gear shift which leads to a condition that is not in compliance with the boundary conditions shall be avoided. In such a case, it is permitted to establish and use electronic or mechanical devices, including alternate gear selector positions.

#### 2.5. Target conditions

The sound emission shall be measured in each valid gear ratio at the four test points as specified below.

The first test point  $P_1$  is defined by using an entry speed  $v_{AA}$  of 20 km/h. If a stable acceleration condition cannot be achieved, the speed shall be increased in steps of 5 km/h until a stable acceleration is reached.

The fourth test point  $P_4$  is defined by the maximum vehicle speed at BB' in that gear ratio within the boundary conditions according to paragraph 2.3.

The other two test points are defined by the following formula:

Test Point  $P_j$ :  $v_{BB_j} = v_{BB_1} + ((j - 1) / 3) * (v_{BB_4} - v_{BB_1})$  for  $j = 2$  and  $3$

Where:

$v_{BB_1}$  = vehicle speed at BB' of test point  $P_1$

$v_{BB_4}$  = vehicle speed at BB' of test point  $P_4$

Tolerance for  $v_{BB_j}$ :  $\pm 3$  km/h

For all test points the boundary conditions as specified in paragraph 2.3. shall be met.

#### 2.6. Test of the vehicle

**[Vehicles equipped with an AVAS the sound emitted by the system shall be considered part of the vehicles sound emission. ]**

The path of the centerline of the vehicle shall follow line CC' as closely as possible throughout the entire test, starting from the approach to line AA' until the rear of the vehicle passes line BB'.

At line AA' the accelerator shall be fully depressed. To achieve a more stable acceleration or to avoid a down shift between line AA' and BB' pre-acceleration before line AA' may be used. The accelerator shall be kept in depressed condition until the rear of the vehicle reaches line BB'.

For every separate test run, the following parameters shall be determined and noted:

The maximum A-weighted sound pressure level of both sides of the vehicle, indicated during each passage of the vehicle between the two lines AA' and BB', shall be mathematically rounded to the first decimal place ( $L_{\text{wot},k}$ ). If a sound peak obviously out of character with the general sound pressure level is observed, the measurement shall be discarded. Left and right side may be measured simultaneously or separately.

The vehicle speed readings at AA' and BB' shall be reported with the first significant digit after the decimal place. ( $v_{AA,k}$ ;  $v_{BB,k}$ )

If applicable, the engine speed readings at AA' and BB' shall be reported as a full integer value ( $n_{AA,k}$ ;  $n_{BB,k}$ ).

The calculated acceleration shall be determined in accordance to the formula in paragraph 3.1.2.1.2. of Annex 3 and reported to the second digit after the decimal place ( $a_{\text{wot},\text{test},k}$ ).

### 3. Analysis of results

#### 3.1. Determination of the anchor point for each gear ratio

For measurements in gear  $i$  and lower, the anchor point consists of the maximum sound level  $L_{\text{woti}}$ , the reported engine speed  $n_{\text{woti}}$  and vehicle speed  $v_{\text{woti}}$  at BB' of gear ratio  $i$  of the acceleration test in Annex 3.

$$L_{\text{anchor},i} = L_{\text{woti,Annex 3}}$$

$$n_{\text{anchor},i} = n_{\text{BB,woti,Annex 3}}$$

$$v_{\text{anchor},i} = v_{\text{BB,woti,Annex 3}}$$

For measurements in gear  $i+1$  the anchor point consists of the maximum sound level  $L_{\text{woti}+1}$ , the reported engine speed  $n_{\text{woti}+1}$  and vehicle speed  $v_{\text{woti}+1}$  at BB' of gear ratio  $i+1$  of the acceleration test in Annex 3.

$$L_{\text{anchor},i+1} = L_{\text{woti}+1,\text{Annex 3}}$$

$$n_{\text{anchor},i+1} = n_{\text{BB,woti}+1,\text{Annex 3}}$$

$$v_{\text{anchor},i+1} = v_{\text{BB,woti}+1,\text{Annex 3}}$$

#### 3.2. Slope of the regression line for each gear

The sound measurements shall be evaluated as function of engine speed according to paragraph 3.2.1.

##### 3.2.1 Calculation of the slope of the regression line for each gear

The linear regression line is calculated using the anchor point and the four correlated additional measurements.

$$\text{Slope}_k = \frac{\sum_{j=1}^5 (n_j - \bar{n})(L_i - \bar{L})}{\sum_{j=1}^5 (n_j - \bar{n})^2} \quad (\text{in dB/1000 min}^{-1})$$

$$\text{With } \bar{L} = \frac{1}{5} \sum_{j=1}^5 L_j \text{ and } \bar{n} = \frac{1}{5} \sum_{j=1}^5 n_j ;$$

where  $n_j$  = engine speed measured at line BB'

## 3.2.2 Slope of the regression line for each gear

The Slope<sub>k</sub> of a particular gear for the further calculation is the derived result of the calculation in paragraph 3.2.1 rounded to the first decimal place, but not higher than 5 dB/1000 min<sup>-1</sup>.”

## 3.3. Calculation of the linear noise level increase expected for each measurement

The sound level L<sub>ASEP,kj</sub> for measurement point j and gear k shall be calculated using the engine speeds measured for each measurement point, using the slope specified in paragraph 3.2. above to the specific anchor point for each gear ratio.

For  $n_{BB,k,j} \leq n_{anchor,k}$ :

$$L_{ASEP,k,j} = L_{anchor,k} + (Slope_k - Y) * (n_{BB,k,j} - n_{anchor,k}) / 1000$$

For  $n_{BB,k,j} > n_{anchor,k}$ :

$$L_{ASEP,k,j} = L_{anchor,k} + (Slope_k + Y) * (n_{BB,k,j} - n_{anchor,k}) / 1000$$

Where Y= 1

## 3.4. Samples

On request of the type approval authority two additional runs within the boundary conditions according to paragraph 2.3. of this annex shall be carried out.

## 4. Interpretation of results

Every individual noise measurement shall be evaluated.

The sound level of every specified measurement point shall not exceed the limits given below:

$$L_{kj} \leq L_{ASEP,k,j} + x$$

With:

x = 3 dB(A) for vehicle with a non-lockable automatic transmission or non-lockable CVT

x = 2 dB(A) + limit value - L<sub>urban</sub> of Annex 3 for all other vehicles

If the measured noise level at a point exceeds the limit, two additional measurements at the same point shall be carried out to verify the measurement uncertainty. The vehicle is still in compliance with ASEP, if the average of the three valid measurements at this specific point fulfils the specification.

## 5. Reference sound assessment

The reference sound is assessed at a single point in one discrete gear, simulating an acceleration condition starting with an entry speed at v<sub>aa</sub> equal to 50 km/h and assuming an exit speed at v<sub>bb</sub> equal to 61 km/h. The sound compliance at this point can either be calculated using the results of paragraph 3.2.2. and the specification below or be evaluated by direct measurement using the gear as specified below.

- 5.1. The determination of gear k is as follows:
- k = 3 for all manual transmission and for automatic transmission with up to 5 gears;
- k = 4 for automatic transmission with 6 or more gears.
- If no discrete gears are available, e.g. for non-lockable automatic transmissions or non-lockable CVTs, the gear ratio for further calculation shall be determined from the acceleration test result in Annex 3 using the reported engine speed and vehicle speed at line BB'.
- 5.2. Determination of reference engine speed  $n_{ref,k}$
- The reference engine speed,  $n_{ref,k}$  shall be calculated using the gear ratio of gear k at the reference speed of  $v_{ref} = 61$  km/h.
- 5.3. Calculation of  $L_{ref}$
- $$L_{ref} = L_{anchor,k} + Slope_k * (n_{ref,k} - n_{anchor,k}) / 1000$$
- $L_{ref}$  shall be less than or equal to 76 dB(A).
- For vehicles fitted with a manual gear box having more than four forward gears and equipped with an engine developing a maximum power greater than 140 kW (according to Regulation No. 85) and having a maximum-power/maximum-mass ratio greater than 75 kW/t,  $L_{ref}$  shall be less than or equal to 79 dB(A).
- For vehicles fitted with an automatic gear box having more than four forward gears and equipped with an engine developing a maximum power greater than 140 kW (according to Regulation No. 85) and having a maximum-power/maximum-mass ratio greater than 75 kW/t,  $L_{ref}$  shall be less than or equal to 78 dB(A).
6. Evaluation of ASEP using the principle of  $L_{Urban}$
- 6.1. General
- This evaluation procedure is an alternative selected by the vehicle manufacturer to the procedure described in paragraph 3. of this annex and is applicable for all vehicle technologies. It is the responsibility of the vehicle manufacturer to determine the correct manner of testing. Unless otherwise specified, all testing and calculation shall be as specified in Annex 3 to this Regulation.
- 6.2. Calculation of  $L_{Urban\_ASEP}$
- From any  $L_{wot\_ASEP}$  as measured according to this annex,  $L_{Urban\_ASEP}$  shall be calculated as follows:
- Calculate  $a_{wot\_test\_ASEP}$  using acceleration calculation from paragraph 3.1.2.1.2.1. or 3.1.2.1.2.2. of Annex 3 to this Regulation, as applicable;
  - Determine the vehicle speed ( $v_{BB\_ASEP}$ ) at BB during the  $L_{wot\_ASEP}$  test;
  - Calculate  $kp\_ASEP$  as follows:  

$$kp\_ASEP = 1 - (a_{urban} / a_{wot\_test\_ASEP})$$

Test results where  $a_{wot\_test\_ASEP}$  are less than  $a_{urban}$  shall be disregarded.

- (d) Calculate  $L_{Urban\_Measured\_ASEP}$  as follows:

$L_{Urban\_Measured\_ASEP} =$

$$L_{wot\_ASEP} - kp_{ASEP} * (L_{wot\_ASEP} - L_{crs})$$

For further calculation, use the  $L_{Urban}$  from Annex 3 to this Regulation without rounding, including the digit after the decimal (xx.x).

- (e) Calculate  $L_{Urban\_Normalized}$  as follows:

$$L_{Urban\_Normalized} = L_{Urban\_Measured\_ASEP} - L_{Urban}$$

- (f) Calculate  $L_{Urban\_ASEP}$  as follows:

$L_{Urban\_ASEP} =$

$$L_{Urban\_Normalized} - (0.15 * (V_{BB\_ASEP} - 50))$$

- (g) Compliance with limits:

$L_{Urban\_ASEP}$  shall be less than or equal to 3.0 dB.

## Annex 10 8

### Appendix 1

#### Statement of compliance with the Additional Sound Emission Provisions

(Maximum format: A4 (210 x 297 mm))

..... (Name of manufacturer) attests that vehicles of this type ..... (type with regard to its noise emission pursuant to Regulation No. 51) comply with the requirements of paragraph 6.2.3. of Regulation No. 51.

..... (Name of manufacturer) makes this statement in good faith, after having performed an appropriate evaluation of the sound emission performance of the vehicles.

Date: .....

Name of authorized representative: .....

Signature of authorized representative: .....

---

## [Annex 9

This Annex addresses Acoustic Vehicle Alerting System (AVAS) for hybrid electric and pure electric road transport vehicles (HEV and EV).

### A Acoustic Vehicle Alerting System

#### 2. System performance

If AVAS is installed on a vehicle, it shall fulfil the requirements referred to below.

#### 3. Operation conditions

##### 3.1 Sound generation method

The AVAS shall automatically generate a sound in the minimum range of vehicle speed from start up to approximately 20 km/h and during reversing. Where the vehicle is equipped with an internal combustion engine that is in operation within the vehicle speed range defined above, the AVAS shall not generate a sound.

For vehicles having a reversing sound warning device, it is not necessary for the AVAS to generate a sound whilst reversing.

##### 3.2 Switch

[The AVAS shall be fitted with a switch which is easily accessible by the vehicle driver in order to allow engaging and disengaging. Upon restarting the vehicle, AVAS shall default to the previous setting selected by the driver before the vehicle was stopped. ]

##### 3.3 Attenuation

The AVAS sound level may be attenuated during periods of vehicle operation.

#### 4. Sound type and volume

##### 4.1 The sound to be generated by the AVAS should be a continuous sound that provides information to the pedestrians and other road users of a vehicle in operation.

However, the following and similar types of sounds are not acceptable:

- (i) Siren, horn, chime, bell and emergency vehicle sounds
- (ii) Alarm sounds e.g. fire, theft, smoke alarms
- (iii) Intermittent sound

The following and similar types of sounds should be avoided:

- (iv) Melodious sounds, animal and insect sounds
- (v) Sounds that confuse the identification of a vehicle and/or its operation (e.g. acceleration, deceleration etc.)

##### 4.2 The sound to be generated by the AVAS should be easily indicative of vehicle behaviour, for example, through the automatic variation of sound level or characteristics in synchronization with vehicle speed.

##### 4.3 The sound level generated by the AVAS shall not exceed the approximate sound level of a



vehicle of the M1 category equipped with an internal combustion engine and operating under the same conditions.

**Formatted:** Font: (Default) Times New Roman Bold, Not Italic

**ANNEX 10 (to be introduced ISO 10844:2011)**

**Formatted:** Font: 12 pt

**Formatted:** Font: (Default) Times New Roman Bold, 12 pt, Not Italic

## SECTION I

- 0.1. Make (trade name of manufacturer): .....
- 0.2. Type: .....
- 0.3. Means of identification of type if marked on the vehicle<sup>(2)</sup>:  
.....
- 0.3.1. Location of that marking: .....
- 0.4. Category of vehicle<sup>(3)</sup>: .....
- 0.5. Company name and address of manufacturer: .....
- 0.6. Names and Address(es) of assembly plant(s):  
.....
- 0.7. Name and address of the manufacturer's representative (if any): .....

## SECTION II

1. Additional information (where applicable): See Addendum
2. Technical service responsible for carrying out the tests: .....
3. Date of test report: .....
4. Number of test report: .....
5. Remarks (if any): See Addendum
6. Place: .....
7. Date: .....
8. Signature: .....

Attachments: Information package  
Test report<sup>16</sup> (for systems) / Test results (for whole vehicles)

---

Page Break

---

## Addendum to the communication form No ...

---

<sup>(2)</sup> If the means of identification of type contains characters not relevant to describe the vehicle, ~~component~~  
~~or separate technical unit~~ types covered by the type-approval certificate such characters  
shall be represented in the documentation by the symbol: '?' (e.g. ABC??123??).

<sup>(3)</sup> As defined in R.E.3

**1. Additional information**

**1.1. Power plant**

- 1.1.1. Manufacturer of the engine: .....
- 1.1.2. Manufacturer's engine code: .....
- 1.1.3. Maximum net power (g): ..... kW at ..... min<sup>-1</sup> or maximum continuous rated power (electric motor) ..... kW(□)
- 1.1.4. Pressure charger(s), Make and Type: .....
- 1.1.5. Air filter, Make and Type: .....
- 1.1.6. Intake silencer(s), Make and Type: .....
- 1.1.7. Exhaust Silencer(s), Make and Type: .....
- 1.1.8. Catalyst(s), Make and Type: .....
- 1.1.9. Particulate Trap(s), Make and Type: .....

**1.2. Transmission**

- 1.2.1. Type (mechanical, hydraulic, electric, etc.): .....

**1.3. Non-engine devices designed to reduce noise: .....**

**2. Test results**

- 2.1. Noise level of moving vehicle: ..... dB(A)
- 2.2. Noise level of stationary vehicle: ..... dB(A) at ..... min<sup>-1</sup>
  - 2.2.1. Noise level of compressed air, service brake: ..... dB(A)
  - 2.2.1. Noise level of compressed air, parking brake: ..... dB(A)
  - 2.2.1. Noise level of compressed air, during the pressure regulator actuation: ..... dB(A)
- 2.3. Data to facilitate in-use compliance test of hybrid vehicles, where an internal combustion engine cannot operate when the vehicle is stationary
  - 2.3.1. Gear (i) or position of the gear selector chosen for the test: .....
  - 2.3.2. Position of the operating switch during measurement L<sub>wot,(i)</sub> (if switch is fitted) .....
  - 2.3.3. Pre-acceleration length I<sub>PA</sub> (Point of the acceleration depression in meter before line AA')  
..... m
  - 2.3.4. Vehicle speed at the beginning of the acceleration ..... km/h
  - 2.3.5. Sound pressure level L<sub>wot,(i)</sub> ..... dB(A)

**3. Remarks: .....**