



Economic and Social Council

Distr.: General
5 April 2013

Original: English

Economic Commission for Europe

Inland Transport Committee

World Forum for Harmonization of Vehicle Regulations

160th session

Geneva, 25-28 June 2013

Item 4.6.2 of the provisional agenda

**1958 Agreement – Consideration of draft amendments
to existing Regulations submitted by GRSP**

Proposal for Supplement 2 to the 02 series of amendments to Regulation No. 29 (Cabs of commercial vehicles)

Submitted by the Working Party on Passive Safety *

The text reproduced below was adopted by the Working Party on Passive Safety (GRSP) at its fifty-second session. It is based on ECE/TRANS/WP.29/GRSP/2012/24 not amended (ECE/TRANS/WP.29/GRSP/52, para. 30). It is submitted to the World Forum for Harmonization of Vehicle Regulations (WP.29) and to the Administrative Committee AC.1 for consideration.

* In accordance with the programme of work of the Inland Transport Committee for 2010–2014 (ECE/TRANS/208/, para. 106 and ECE/TRANS/2010/8, programme activity 02.4), the World Forum will develop, harmonize and update Regulations in order to enhance the performance of vehicles. The present document is submitted in conformity with that mandate.

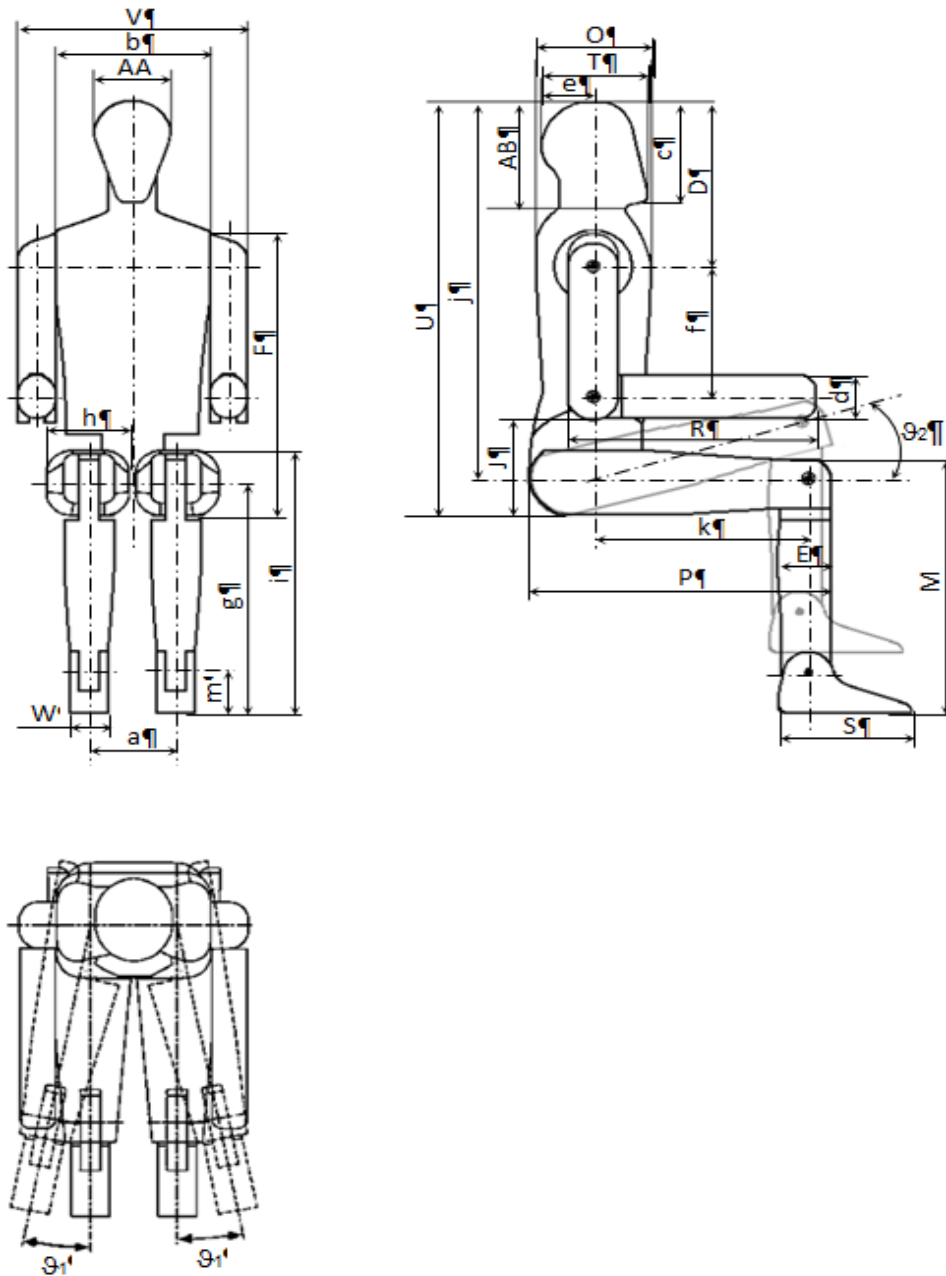
Paragraph 5.3.1., amend to read:

"5.3.1. After undergoing each of the tests referred to in paragraph 5.2. above, ... the assessment of the survival space. As an alternative to the test manikin defined in Annex 3, Appendix 2, a fiftieth percentile Hybrid II or III male dummy, with or without measuring instrumentation, the description of which is given in Regulation No. 94, may be used."

Annex 3, Appendix 2,

The figure, amend to read:

"



"

The table, amend to read:

"

<i>Dimensions:</i>	...	cm

ϑ_1	Lateral rotation of the legs	20°
ϑ_2	Upward rotation of the legs"	45°

"
