

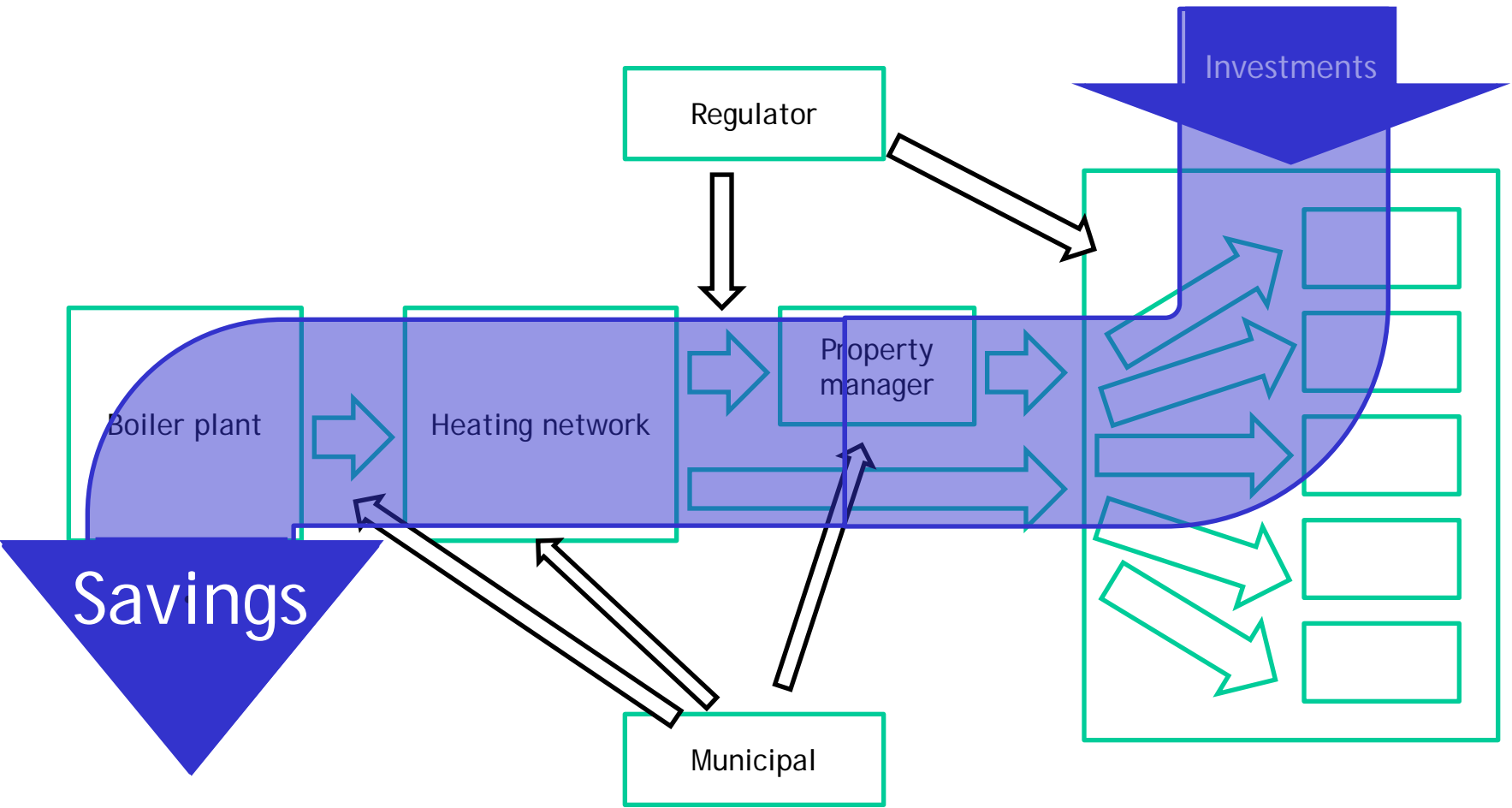


**International
Finance Corporation**
World Bank Group

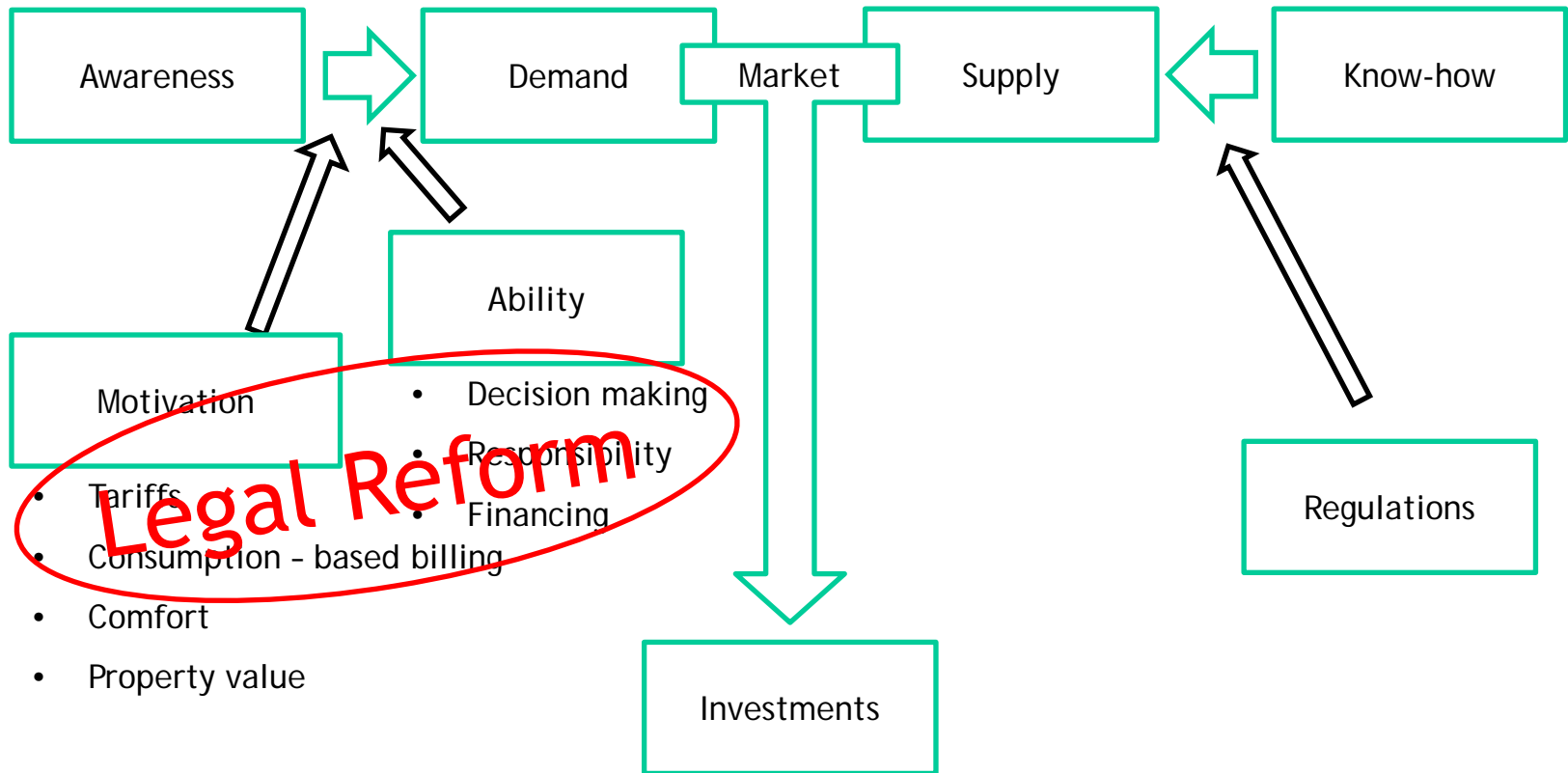
Unlocking Energy Efficiency Potential of Multi Family Buildings

Fourth International Forum: Energy for Sustainable Development
Tbilisi, September 17, 2013

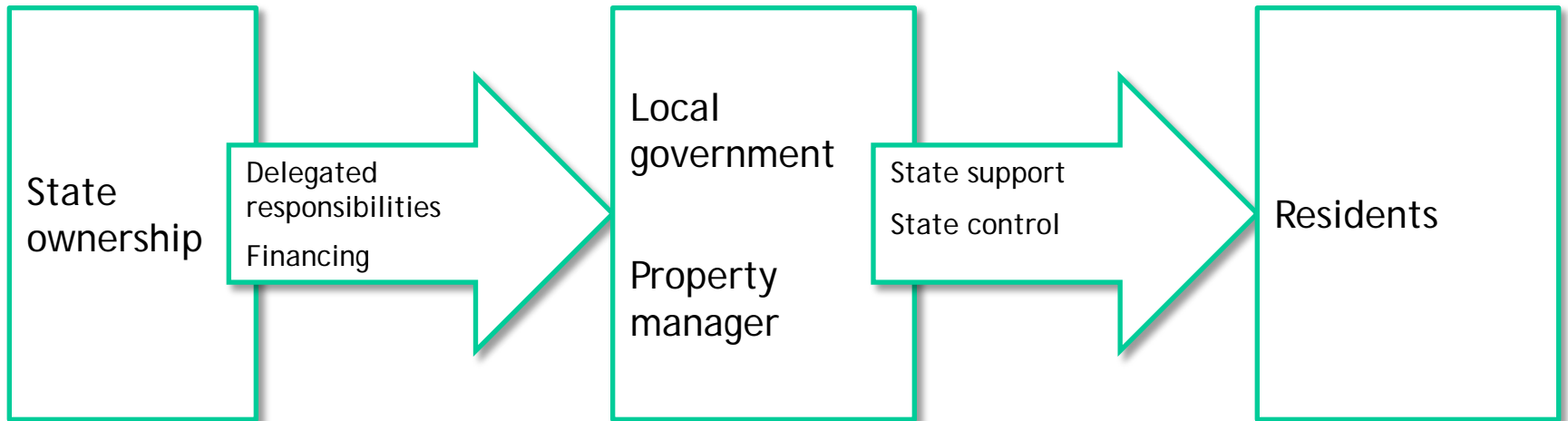
Challenge



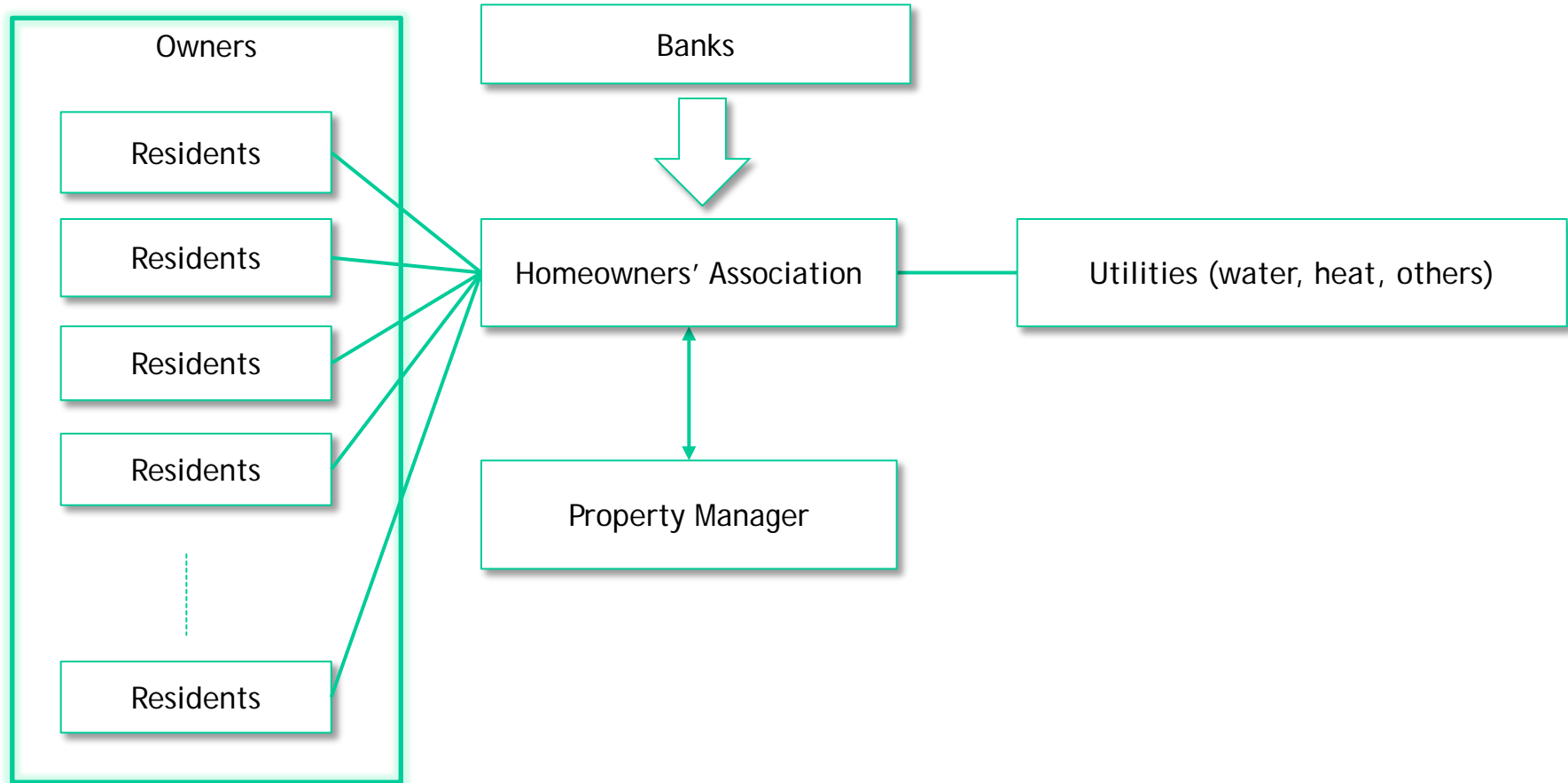
Barriers to Investing



Soviet Legacy



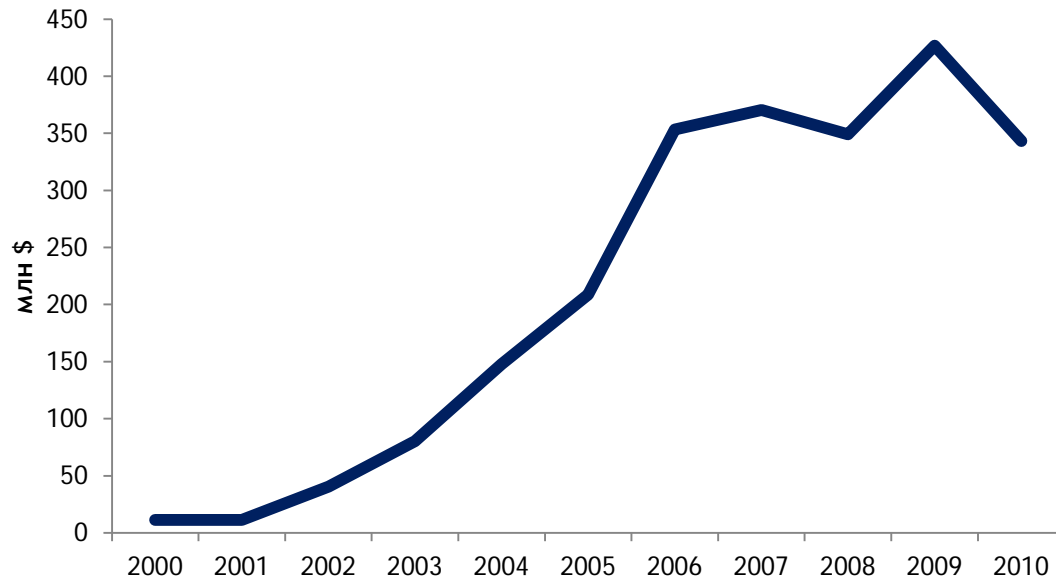
Housing Sector Model



Removing barriers

- Legal
 - Property legislation
 - Energy efficiency standards
 - Municipal utility regulations
 - Banking regulations
- Know-how & Awareness
 - Benefits
 - Responsibilities following privatization
 - Collective action necessary
- Financing solutions
 - Commercial lending
 - Grant co-financing

Timing



Thank you!

Grzegorz Gajda
Project Manager

ggajda@ifc.org

Tel. +380 44 490 64 00



<http://www.facebook.com/SustainableHousingFinance>

<http://www.ifc.org/ifcext/eca.nsf/Content/UkraineProjectREE>