

Distr.
GENERAL

TRANS/WP.29/GRSG/2000/14
20 July 2000

Original: ENGLISH

ECONOMIC COMMISSION FOR EUROPE

INLAND TRANSPORT COMMITTEE

World Forum for Harmonization of Vehicle Regulations (WP.29)

Working Party on General Safety Provisions (GRSG)

(Seventy-ninth session, 16-20 October 2000,
agenda item 4.)

**PROPOSAL FOR A DRAFT CORRIGENDUM TO REGULATION No. 66
(Strength of superstructure)**

Transmitted by the Expert from the Czech Republic

Note: The text reproduced below was prepared by the expert from the Czech Republic in order to eliminate ambiguity of the text of Regulation No. 66. It is based on the text distributed without a symbol (informal document No. 5) during the seventy-eighth session (TRANS/WP.29/GRSG/57, para. 14).

Note: This document is distributed to the Experts on General Safety Provisions only.

GE.00-

A. PROPOSAL

Paragraph 1, amend to read (including the corresponding footnote */):

"1 SCOPE:

This Regulation applies to single-deck vehicles of categories M2 and M3 */ constructed for the carriage of more than 16 passengers in addition to the driver and crew, except vehicles of Class I */ (vehicles designed for both urban use and standing passengers).

*/ As defined in annex 7 to the Consolidated Resolution on the Construction of Vehicles (R.E.3)(document TRANS/SC.1/WP.29/78/Rev.1/Amend.2)."

Paragraph 7.2.(former), renumber as paragraph 7.1., and amend to read:

"7.1. The position of the "R" point shown in figure 1(a) shall be assumed to be 500 mm above the floor under the passengers' feet and 100 mm in front of the seat-back surface, measured in the centreline of the outboard seats. "R_s" point situated on the transversal line through the point "R" and 300 mm from the inside surface of the vehicle sidewall, is decisive for the size definition of the residual space in form of a trapezoid, see figure 1(a)."

Paragraph 7.1. (former), renumber as paragraph 7.2., and amend to read:

"7.2. For the purposes of paragraph 5.1. of this Regulation, the residual space means the volume within the passenger compartment which is swept when the transversal vertical plane defined in figure 1(a) of this Regulation is moved in a straight line or lines so that the point "R" in figure 1(b) passes from the "R" point of the rearmost outer seat, through the "R" point of every intermediate outer seat to the "R" point of the foremost outer passenger seat. The residual space exceeds the distance of that extreme "R" point by two horizontal overhangs of length [300] mm each."

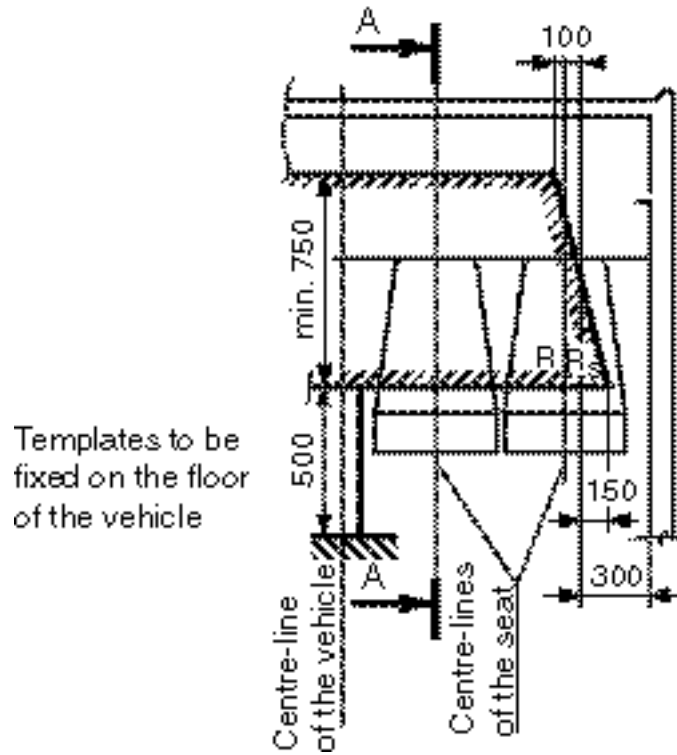
Figures 1(a) and 1(b), amend to read:

"Figure 1

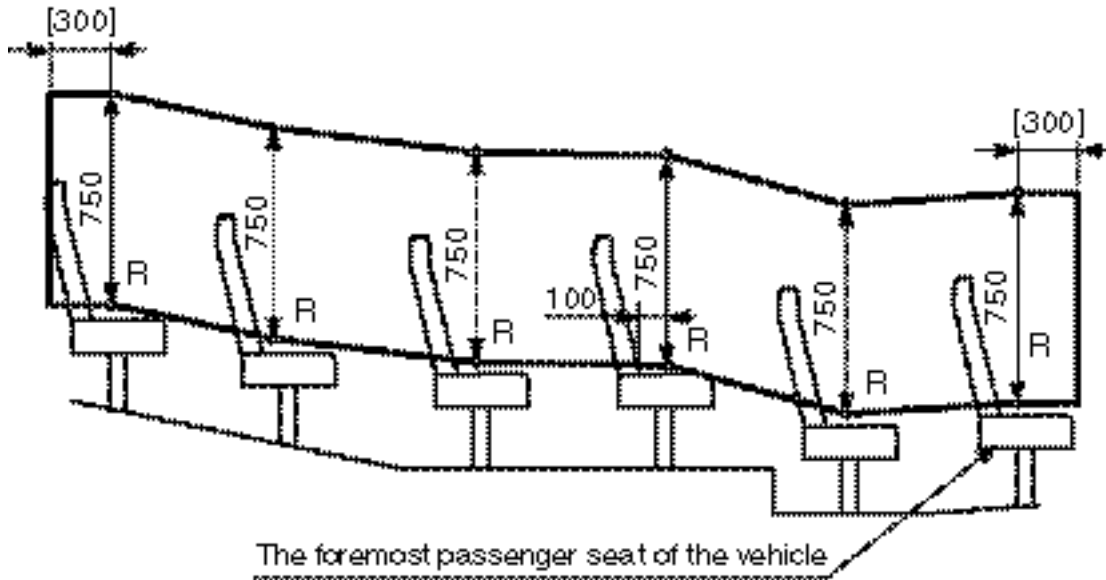
RESIDUAL SPACE

(All dimensions in millimetres)

1 (a) LATERALLY



1 (b) LONGITUDINALLY Section A-A of the vehicle in the vertical plane of the centre-line of the inboard seat.



* * *

B. JUSTIFICATION

Some experiences assembled during application of the valid version of Regulation No. 66 showed that in certain places its wording did not eliminate the ambiguity in its possible interpretation by different technical services. Also some figures do not reflect sufficiently all requirements incorporated in the wording. In addition, the scope should also be better limited.

Re. para. 1.:

It is preferable to define the scope using the officially accepted vehicle classification. This is also much nearer to the last European Community formulation: "This Annex applies to all single-deck Class II and III vehicles", published in item 1 of Annex IV to Proposal for European Community Directive COM(97)276 final-97/0176 (COD) of 17 October 1997

Re. para. 7.1.:

The first step is to establish the cross-section of the residual space and the definition of its longitudinal form which should follow after it. Besides that, it cannot be currently prescribed for the position of "R" point that it shall be situated in all cases both in the median plane of the outboard seat and in the distance 300 mm from the sidewall. The side position of the outer

seat can be changed, i.e. in relation to its width, but the distance of said space border-line from the sidewall should rather remain constant. The position of the two mentioned points "R" and "R_s" should, in addition, be express separated. It should also be emphasised that the "R" point used here (maybe better marked as "R_b" for buses) is not identical with the "seating reference point R" established by means of the 3-D H machine in all other Regulations.

Re. para. 7.2.:

If the moving transversal basic plane is vertical in compliance with the wording of the new paragraph 7.2., then the points where that upper line changes its direction must be situated exactly above all the "R" points (and not in the direction of the reference torso line. Additionally, two missing vertical segments of the border-line on the place of the initial and the last "R" point should be added in fig. 1(b). However, the best solution for the passengers would be if the length of the residual space could be still enlarged by horizontal overhangs of about 300 mm on each of its ends. In fig. 1(b) it was not indicated how to measure the 100 mm distance of "R" point from the seat-back surface.
