



Economic and Social Council

Distr.: General
9 April 2018

Original: English

Economic Commission for Europe

Inland Transport Committee

World Forum for Harmonization of Vehicle Regulations

175th session

Geneva, 19-22 June 2018

Item 4.10.1 of the provisional agenda

1958 Agreement:

Consideration of draft corrigenda to existing

UN Regulations submitted by GRs if any

Proposal for Corrigendum 1 to Supplement 9 to the 06 series of amendments to UN Regulation No. 16 (Safety-belts)

Submitted by the Working Party on Passive Safety *

The text reproduced below was adopted by the Working Party on Passive Safety (GRSP) at its sixty-second session (ECE/TRANS/WP.29/GRSP/62, para. 14). It is based on ECE/TRANS/WP.29/GRSP/2017/21 as amended by Annex IV to the report. It is submitted to the World Forum for Harmonization of Vehicle Regulations (WP.29) and to the Administrative Committee AC.1 for consideration at their June 2018 sessions.

* In accordance with the programme of work of the Inland Transport Committee for 2018–2019 (ECE/TRANS/274, para. 123 and ECE/TRANS/2018/21/Add.1, cluster 3.1), the World Forum will develop, harmonize and update UN Regulations in order to enhance the performance of vehicles. The present document is submitted in conformity with that mandate.

Corrigendum 1 to Supplement 9 to the 06 series of amendments to UN Regulation No. 16 (Safety-belts)

Paragraph 6.4.1.4.1.1., correct to read:

"6.4.1.4.1.1. In the case of the driver, contact of the chest with the steering assembly would be allowed, if the latter meets the requirements of UN Regulation No. 12 and provided contact does not occur at a speed higher than 24 km/h. For this assessment the seat shall be considered to be in the positions specified in paragraph 7.7.1.5. below."

Paragraph 8.3.6., correct to read:

"8.3.6. Any i-Size seating position shall allow the installation of the ISOFIX child restraint fixture "ISO/F2X", "ISO/R2", and the support leg installation assessment volume as defined in Appendix 2 of Annex 17, as well as the booster seat fixture "ISO/B2" as defined in Appendix 5 of Annex 17, without the ISOFIX attachments (see detail B). It shall be possible to occupy all adjacent i-Size seating positions simultaneously. This is deemed to be demonstrated when the vertical median planes of individual adjacent positions are at least 440 mm apart.

..."

Annex 17,

Appendix 2, paragraph 3.1., correct to read:

"3.1. It has to be possible to accommodate the CRF(s), with or without i-Size support leg installation assessment volume, without interference with the vehicle interior. The CRF base shall have a pitch angle of $15^{\circ} \pm 10^{\circ}$, above the horizontal plane passing through the ISOFIX anchorages system. ISOFIX attachments, according to detail Y of figures 1 to 8,..."

Appendix 2, paragraph 3.3., correct to read:

"3.3. Should the above requirements not be met These alternative positions shall be described in the vehicle handbook and with the additional information specified in Appendix 3 to this annex. ..."

Appendix 3, Table 1, correct to read:

"Table 1

This table gives technical information specifically intended e.g. for child restraint system manufacturer and as such translation into national languages is not required.

Seat position number	Seating position								
	1	2	3	4	5	6	7	8	9
Seating position suitable for universal belted (yes/ no)									
i-Size seating position (yes/ no)									
Seating position suitable for lateral fixture (L1/ L2)									
Largest suitable rearward facing fixture (R1/ R2X/ R2/ R3)									
Largest suitable forward facing fixture (F2X /F2/ F3)									
Largest suitable booster fixture (B2/B3)									

"

Appendix 5, the title, correct to read:

"Annex 17 – Appendix 5

Provisions concerning the installation of forward-facing booster seat child restraint systems of i-Size and specific categories installed on vehicle seating positions or i-Size seating positions"

Appendix 5, paragraph 4., correct to read:

"4. Booster seat child restraint system fixtures:

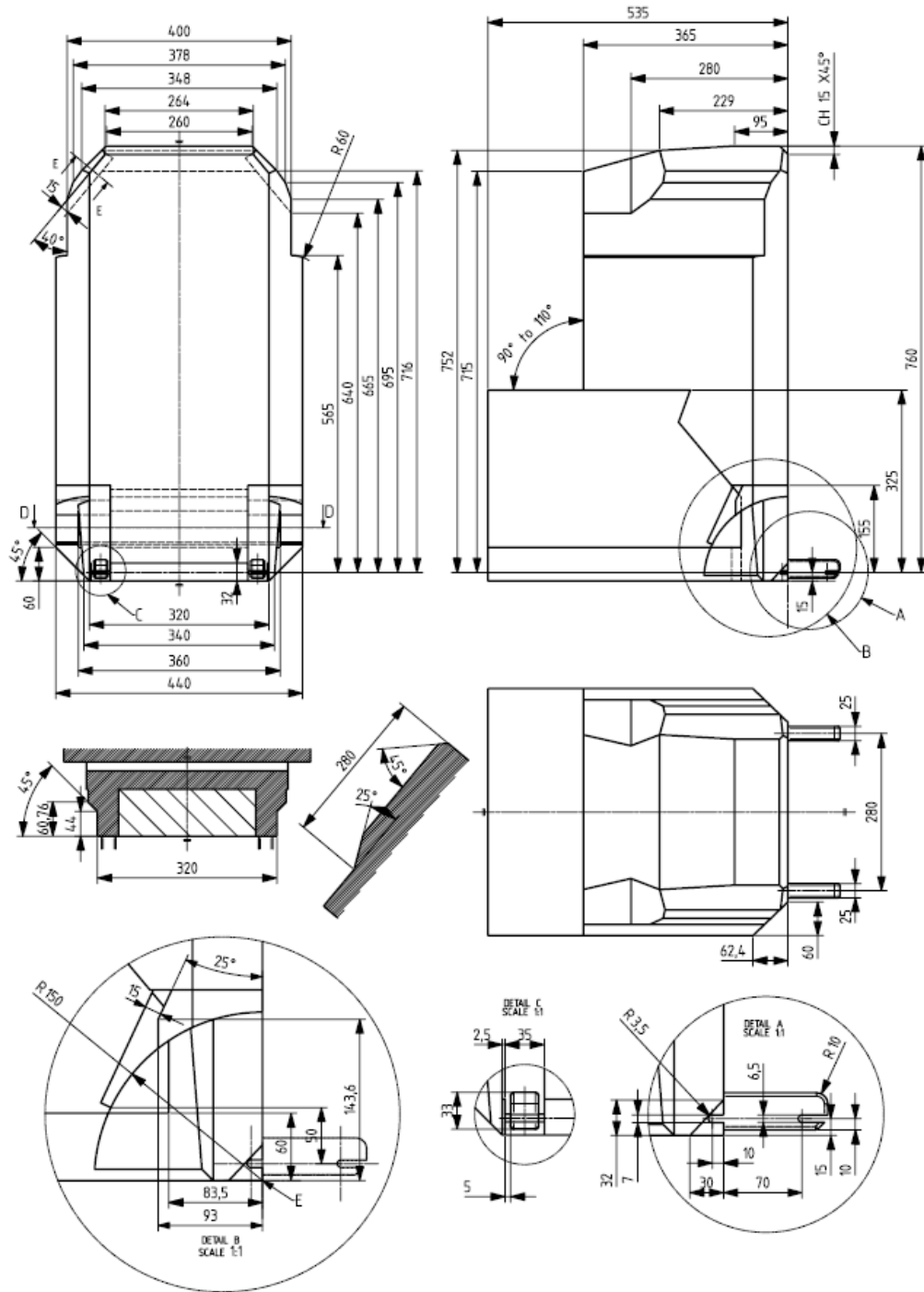
...

The fixtures above shall be constructed with a mass of 7 kg +/- 1 kg and shall be of suitable durability and stiffness to satisfy the functional requirements."

Appendix 5, figure 2 ISO B2, to be replaced as follows:

"Figure 2

...

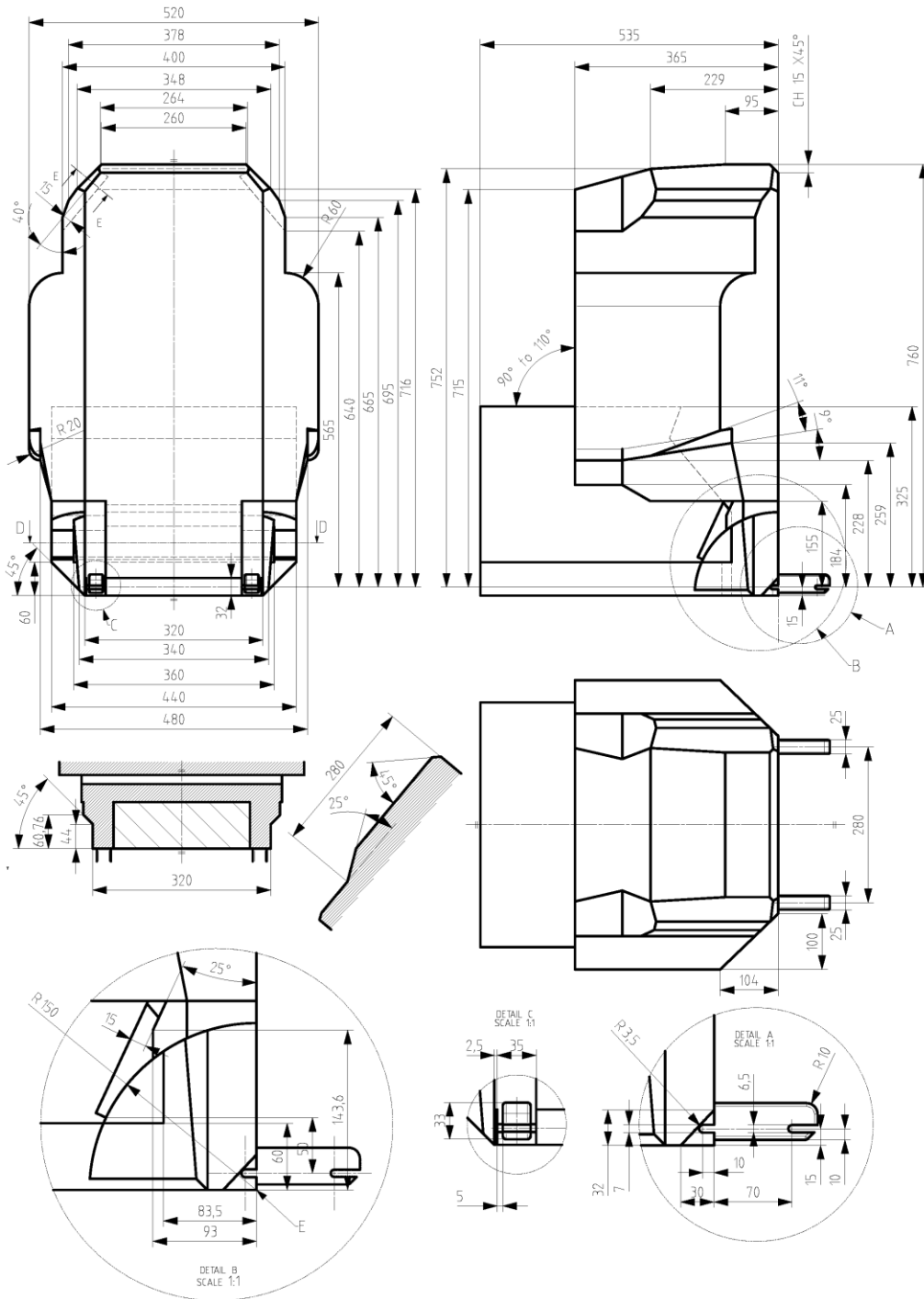


(all dimensions in millimetres)

Appendix 5, Figure 3 ISO/B3, to be replaced as follows:

"Figure 3

...



(all dimensions in millimetres)