



Economic and Social Council

Distr.: General
24 August 2015

Original: English

Economic Commission for Europe

Inland Transport Committee

World Forum for Harmonization of Vehicle Regulations

167th session

Geneva, 10-13 November 2015

Item 4.7.7 of the provisional agenda

1958 Agreement – Consideration of draft amendments to existing Regulations submitted by GRSG

Proposal for Supplement 4 to the 06 series of amendments to Regulation No. 107 (M₂ and M₃ vehicles)

Submitted by the Working Party on General Safety Provisions*

The text reproduced below was adopted by the Working Party on General Safety Provisions (GRSG) at its 108th session (ECE/TRANS/WP.29/GRSG/87, paras. 7 and 30). It is mainly based on ECE/TRANS/WP.29/GRSG/2014/6/Rev.1, amended as reproduced in GRSG-108-51 and on ECE/TRANS/WP.29/GRSG/2015/14, as amended by para. 30 of the report. It is submitted to the World Forum for Harmonization of Vehicle Regulations (WP.29) and to the Administrative Committee of the 1958 Agreement (AC.1) for consideration at their November 2015 sessions.

* In accordance with the programme of work of the Inland Transport Committee for 2012–2016 (ECE/TRANS/224, para. 94 and ECE/TRANS/2012/12, programme activity 02.4), the World Forum will develop, harmonize and update Regulations in order to enhance the performance of vehicles. The present document is submitted in conformity with that mandate.

The list of Contents, insert a new annex, to read:

- "13 Part 1 - Fire suppression system approved as a component
- Part 2 - Fire suppression system installed in a specific engine compartment ..."

Insert a new paragraph 2.2.3., to read:

- "2.2.3. *"Fire suppression system type"* for the purpose of type approval as a component means a category of systems which does not essentially differ in the following aspects:
 - (a) Fire suppression system manufacturer;
 - (b) Extinguishing agent;
 - (c) Type of discharge point(s) used (e.g. type of nozzle, extinguishing agent generator or extinguishing agent discharge tube);
 - (d) Type of propellant gas, if applicable."

Paragraph 2.3., amend to read:

- "2.3. *"Approval of a vehicle, a separate technical unit or a component"* means the approval of a vehicle type, of a bodywork or of a component type as defined in paragraph 2.2. above with regard to the constructional features specified in this Regulation;"

Paragraph 3.1., amend to read:

- "3.1. The application for approval of:
 - (a) A vehicle type, or
 - (b) A separate technical unit type, or
 - (c) A vehicle type fitted with bodywork type already approved as a separate technical unit, or
 - (d) A component typewith regard to its constructional features shall be submitted by the responsible manufacturer or by his duly accredited representative."

Insert a new paragraph 3.3.4., to read:

- "3.3.4. Appendix 4: For a fire suppression system type."

Insert new paragraphs 3.4. to 3.4.1.2., to read:

- "3.4. In the case of an application for the approval of a type of vehicle, the manufacturer shall also provide the following documents, if applicable:
 - 3.4.1. Information regarding the installed fire suppression system:
 - 3.4.1.1. In the case of a fire suppression system approved as a component, a copy of the approval communication form (Annex 1, Part 2, Appendix 4) and an analysis regarding the installation of the fire suppression system (see Annex 3, paragraph 7.5.1.5.4.2.); or
 - 3.4.1.2. In the case of a fire suppression system installed in a specific engine compartment, an analysis regarding the installation of the fire suppression system (see Annex 3, item 7.5.1.5.4.2.) and the documentation required in Annex 13, Part 2, paragraph 1.3."

Paragraph 3.4. (former), renumber as paragraph 3.5. and amend to read:

- "3.5. (A) vehicle(s), (a) bodywork(s) or (a) fire suppression system(s) representative of the type to be approved shall be submitted to the Technical Service responsible for conducting the Type Approval tests."

Paragraphs 4.1. to 4.4., amend to read:

- "4.1. If the vehicle, bodywork or fire suppression system submitted for approval pursuant to this Regulation meets the requirements of paragraph 5., approval of that vehicle, bodywork or fire suppression system type shall be granted.
- 4.2. An approval number shall be assigned to each type approved. Its first two digits (at present 06, corresponding to the 06 series of amendments) shall indicate the series of amendments incorporating the most recent major technical amendment made to the Regulation at the time of issue of the approval. The same Contracting Party shall not assign the same number to another vehicle, bodywork or fire suppression system type within the meaning of paragraph 2.2. above.
- 4.3. Notice of approval or of extension of approval of a vehicle, bodywork or fire suppression system type pursuant to this Regulation shall be communicated to the Contracting Parties to the Agreement applying this Regulation by means of a form conforming to the model in Annex 1, Part 2 to this Regulation.
- 4.4. There shall be affixed, conspicuously and in a readily accessible place specified on the approval form, to every vehicle, bodywork or fire suppression system conforming to a vehicle, bodywork or fire suppression system type approved under this Regulation, an international approval mark consisting of:"

Paragraph 4.7., amend to read:

- "4.7. The approval mark shall be placed close to or on the vehicle or bodywork data plate affixed by the manufacturer.
- The approval mark shall be affixed to the main part of the fire suppression system. The marking need not be visible when the system is installed in the vehicle."

Paragraph 5.1., amend to read:

- "5.1. All vehicles shall comply with the provisions set out in Annex 3 to this Regulation. Bodywork approved separately shall comply with Annex 10. The approval of a vehicle incorporating a bodywork approved in accordance with Annex 10 shall be completed in accordance with that annex. Fire suppression systems approved separately shall comply with Annex 13, Part 1. In the case of an approval of a vehicle with a fire suppression system installed in a specific engine compartment, it shall comply with the requirements of Annex 13, Part 2."

Paragraphs 6.1. and 6.1.1., amend to read:

- "6.1. Every modification of the vehicle, bodywork or fire suppression system type shall be notified to the Type Approval Authority which approved the type. That department may then either:
- 6.1.1. Consider that the modifications made are unlikely to have an appreciable adverse effect and that, in any case, the vehicle, bodywork or fire suppression system still complies with the requirements; or"

Paragraph 6.3., amend to read:

"6.3. The Type Approval Authority issuing the extension of approval shall assign a series number for such an extension and inform thereof the other Contracting Parties to the 1958 Agreement applying this Regulation by means of a communication form conforming to the model in Annex 1, Part 2 to this Regulation."

Paragraph 7.1., amend to read:

"7.1. Vehicles, bodywork and fire suppression systems approved to this Regulation shall be so manufactured as to conform to the type approved by meeting the requirements set forth in paragraph 5. above."

Paragraphs 8.1. to 8.2., amend to read:

"8.1. The approval granted in respect of a vehicle, bodywork or fire suppression system type pursuant to this Regulation may be withdrawn if the requirement laid down in paragraph 5. above is not complied with.

8.2. If a Contracting Party to the Agreement applying this Regulation withdraws an approval it has previously granted, it shall forthwith notify the other Contracting Parties applying this Regulation, by means of a communication form conforming to the model in Annex 1, Part 2 to this Regulation."

Paragraph 9., amend to read:

"9. Production definitively discontinued

If the holder of the approval completely ceases to manufacture a type of vehicle, bodywork or fire suppression system under this Regulation, he shall so inform the authority which granted the approval. Upon receiving the relevant communication, that authority shall inform thereof the other Parties to the 1958 Agreement applying this Regulation by means of a communication form conforming to the model in Annex 1, Part 2 to this Regulation."

Annex 1, Part 1, Appendix 1, insert new items 4.3. to 4.3.3.5., to read (including a new footnote ³):

- "4.3. Fire suppression system
- 4.3.1. Make and type of the fire suppression system:
- 4.3.2. Type approval number of the fire suppression system, if applicable:
- 4.3.3. Fire suppression system for a specific engine compartment, if applicable: ³
- 4.3.3.1. Extinguishing agent (make and type):
- 4.3.3.2. Mass of extinguishing agent:
- 4.3.3.3. Type of discharge point(s):
- 4.3.3.4. Number of discharge points(s):
- 4.3.3.5. Type of propellant gas, if applicable:

³ Explanatory note: When applicable, the documentation required according to Annex 13, Part 2, paragraph 1.3. shall also be added."

Annex 1, Part 1, Appendix 3, items 5.3.1. to 5.4.3., the references to footnote ³ (former), renumber as references to footnote ⁴.

Annex 1, Part 1, Appendix 3, insert items 4. to 4.3.5. to read:

- "4. Fire suppression system
- 4.1. Make and type of the fire suppression system:
- 4.2. Type approval number of the fire suppression system, if applicable:.....
- 4.3. Fire suppression system for a specific engine compartment, if applicable: ³
- 4.3.1. Extinguishing agent (make and type):
- 4.3.2. Mass of extinguishing agent:
- 4.3.3. Type of discharge point(s):
- 4.3.4. Number of discharge point(s):
- 4.3.5. Type of propellant gas, if applicable:"

Annex 1, Part 1, insert new Appendix 4, to read:

"Annex 1 - Part 1 - Appendix 4

Model information document relation to Regulation No. 107 relating to Type Approval of a fire suppression system as a component

The following information, if applicable, shall be supplied in triplicate and include a list of contents. Any drawings shall be supplied in appropriate scale and in sufficient detail on size A4 or on a folder of A4 format. Photographs, if any, shall show sufficient detail.

If the components have electronic controls, information concerning their performance shall be supplied.

- 1. General
 - 1.1. Make (trade name of manufacturer):
 - 1.2. Type and general commercial description:
 - 1.5. Name and address of manufacturer:
- 2. Fire suppression system
 - 2.1. Extinguishing agent (make and type):
 - 2.2. Mass of extinguishing agent (required for a 4 m³ engine compartment):
 - 2.3. Type of discharge point(s) (e.g. type):
 - 2.4. Number of discharge point(s) (required for a 4 m³ engine compartment):¹
 - 2.5. Length of discharge tube (required for 4 m³ engine compartment)¹:
 - 2.6. Type of propellant gas:¹
 - 2.7. Pressure of propellant gas:¹

- 2.8. Minimum operating temperature:
- 2.9. Dimensions of pipes and fittings:
- 2.10. Detailed description, layout drawings and installation manual of the fire suppression system and its components:"

Annex 1, Part 2, insert a new Appendix 4, to read:

"Annex 1 - Part 2 - Appendix 4

Communication

(Maximum format: A4 (210 x 297 mm))



issued by:

Name of administration:

.....

- Concerning:²
- Approval granted
 - Approval extended
 - Approval refused
 - Approval withdrawn
 - Production definitively discontinued

of a type of a component with regard to Regulation No. 107

Approval No.:

Extension No.:

Section I

- 1. Make (trade name of manufacturer):.....
- 2. Type:
- 3. Means of identification of type if marked on the component:
- 3.1. Location of that marking:
- 4. Name and address of manufacturer:
- 5. If applicable, name and address of manufacturer's representative:
- 6. Location and method of affixing of the Type-Approval mark:

Section II

- 1. Additional information (where applicable): See addendum
- 2. Technical Service responsible for carrying out the tests:
- 3. Date of test report:
- 4. Number of test report:
- 5. Remarks (if any): See Addendum

6. Place:.....
7. Date:.....
8. Signature:
9. The index to the information package lodged with the Approval Authority, which may be obtained on request, is attached.

Addendum to Type-Approval certificate No.

concerning the Type-Approval of a fire suppression system as a component with regard to Regulation No. 107

1. Additional information
 - 1.1. Extinguishing agent (make and type):
 - 1.2. Mass of extinguishing agent (required for a 4 m³ engine compartment):
 - 1.3. Type of discharge point(s) (e.g. type of nozzles)¹:
 - 1.4. Number of discharge point(s) (required for a 4 m³ engine compartment)¹:
 - 1.5. Length of discharge tube (required for a 4 m³ engine compartment)¹, if applicable: ..
 - 1.6. Type of propellant gas, ¹ if applicable:
 - 1.7. Pressure of propellant gas (needed in a 4 m³ engine compartment)¹, in the case of systems under pressure:
 - 1.8. Minimum operating temperature:
 - 1.9. Dimensions of pipes and fittings, if applicable:

Annex 2, add a new Model D, to read:

"Model D



a = 8 mm min.

The above approval mark affixed to a fire suppression system shows that the fire suppression system type has been approved in the Netherlands (E 4) as a component, pursuant to Regulation No. 107 under approval number 062439. The approval number indicates that the approval was granted according to the requirements of Regulation No. 107 as amended by the 06 series of amendments."

Annex 3, paragraphs 7.5.1.5. to 7.5.1.5.1., amend to read:

- "7.5.1.5. In the case of vehicles having an internal combustion engine or a combustion heater located to the rear of the driver's compartment, the compartment shall be equipped with an alarm system providing the driver with both an acoustic and a visual signal, and activating the hazard warning signal, in the event of excess temperature in the engine compartment and in each compartment where a combustion heater is located.

In addition to the alarm system, vehicles of Class III shall be equipped with a fire suppression system in the engine compartment and each compartment where a combustion heater is located. Vehicles of Classes I, II, A and B, may be equipped with a fire suppression system in the engine compartment and in each compartment where a combustion heater is located.

- 7.5.1.5.1. The alarm system and the fire suppression system, if fitted, shall be automatically activated through a fire detection system. The detection system shall be designed so as to detect a temperature in the engine compartment, and in each compartment where a combustion heater is located in excess of the temperature occurring during normal operation."

Annex 3, paragraph 7.5.1.5.3., amend to read:

- "7.5.1.5.3. The alarm system and the fire suppression system shall be operational whenever the engine start device is operated, until such time as the engine stop device is operated, regardless of the vehicle's attitude. They may remain operational after the ignition is switched off or the vehicle master control switch is deactivated, wherever applicable."

Annex 3, insert new paragraphs 7.5.1.5.4. to 7.5.1.5.4.3., to read:

- "7.5.1.5.4. The installation of the fire suppression system shall comply with the following requirements;

- 7.5.1.5.4.1. The fire suppression system shall be installed according to the system manufacturer's installation manual.

- 7.5.1.5.4.2. An analysis shall be conducted prior to the installation in order to determine the location and direction of the suppression agent discharge point(s) (e.g. nozzles, extinguishing agent generators or extinguishing agent discharge tube or other distribution points). Potential fire hazards within the engine compartment and each compartment where a combustion heater is located, shall be identified and the discharge point(s) located such that the suppression agent will be distributed to cover the fire hazard when the system activates. The spray pattern and direction of discharge point(s) as well as the throwing distance shall be ensured to cover identified fire hazards. The system shall also be ensured to work properly regardless of the vehicle's altitude.

Fire hazards to be taken into account in the analysis shall at least consist of the following: components whose surface may reach temperatures above the auto-ignition temperature for fluids, gases or substances that are present within the compartment and electrical components and cables with a current or voltage high enough for an ignition to occur as well as hoses and containers with flammable liquid or gas (in particular, if those are pressurized). The analysis shall be fully documented.

- 7.5.1.5.4.3. The suppression system shall be scaled from the tested system, based on the total gross volume of the engine and auxiliary heater compartments where the system is to be installed. When measuring the engine compartment and the auxiliary heater compartments, the gross volume of these compartments shall be measured, i.e. the volume of the engine and its components shall not be subtracted.

The scaling of the system includes the mass of the suppression agent, all discharge points and the mass of the propellant gas container, if applicable. The system pressure shall remain the same as in the tested system. If the system includes a discharge tube for the extinguishing agent, the length of the tube shall be scaled without nozzles. It is acceptable if the suppression

system has more extinguishing agent and/or more discharge points and/or a longer discharge tube for the extinguishing agent and/or more propellant gas than required according to the scaling models found below.

If the gross volume of the engine and auxiliary heater compartments exceed 4 m³, the suppression system shall be scaled up using the following scaling factor calculated in (1) below. If the gross volume is less than 4 m³, it is allowed to scale down the suppression system using the scaling factor (2) below. S_x denotes the scaling factor and x denotes the total gross volume including the engine and combustion heater compartments [m³].

$$S_x = 0.1 \cdot x + 0.6 \quad (1)$$

$$S_x = 0.15 \cdot x + 0.4 \quad (2)$$

The scaled number of nozzles or other discharge points, if the suppression system has more than one discharge point may be rounded to the closest whole number."

Annex 3, paragraph 7.7.1.8.4., amend to read:

"7.7.1.8.4. When the seat opposite side of the vehicle or through the centre of any display used as device for indirect vision within the scope of Regulation No. 46, whatever applicable."

Insert a new Annex 13, to read:

"Annex 13 - Part 1

Fire suppression system approved as a component

1. Specifications
 - 1.1. Fire suppression systems shall be tested for high fire load, low fire load, high fire load with fan and re-ignition.
 - 1.2. The test apparatus, test fires and general test conditions are described in Appendix 1 of this annex.
 - 1.3. High fire load
 - 1.3.1. The high fire load test shall be conducted in accordance with Appendix 2 of this annex.
 - 1.3.2. The test shall be conducted with the extinguishing agent and the propellant gas vessel or the suppression agent generator cooled to the minimum operating temperature for the fire suppression system, as declared by the manufacturer.
 - 1.3.3. The fires shall be fully extinguished, either, in the minute after activation or upon end of the discharge of the suppression system.
 - 1.3.4. The test is considered passed either after success at first attempt or at two of three attempts in a case when first of these attempts fails.
 - 1.4. Low fire load
 - 1.4.1. The low fire load test shall be conducted in accordance with Appendix 3 of this annex.
 - 1.4.2. The fires shall be fully extinguished either in the minute after activation or upon end of the discharge of the suppression system.

- 1.4.3. The test is considered passed if success was achieved at the first attempt or at two of three attempts in a case when first of these attempts fails.
- 1.5. High fire load with fan
 - 1.5.1. The high fire load test with fan shall be conducted in accordance with Appendix 4 of this annex.
 - 1.5.2. The fires shall be fully extinguished either in the minute after activation or upon end of the discharge of the suppression system.
 - 1.5.3. The test is considered passed if success was achieved at the first attempt or at two of three attempts in a case when first of these attempts fails.
- 1.6. Re-ignition test
 - 1.6.1. The re-ignition test shall be conducted in accordance with Appendix 5 of this annex.
 - 1.6.2. The fire shall be fully extinguished and no re-ignition shall occur 45 seconds after the extinguishing of the fire.
 - 1.6.3. The test is considered passed either if success was achieved at the first attempt or at two of three attempts in a case when first of these attempts fails.

Annex 13 – Part 2

Fire suppression system installed in a specific engine compartment

- 1. Specifications
 - 1.1. A specific engine compartment means engine compartments which do not differ in the following essential aspects:
 - (a) Engine compartments position in the vehicle;
 - (b) Maximum gross volume;
 - (c) General layout of components in the compartment (i.e. position of fire hazards determined).

For compartments where a combustion heater is placed aspects (b) and (c) apply.
 - 1.2. The fire suppression systems shall be tested for high fire load, low fire load, high fire load with fan (to be applied if a fan is fitted in the engine compartment and/or combustion heater compartment) and re-ignition.
 - 1.3. The test apparatus, test fires and general test conditions are described in Appendix 1 of this annex.

In order to facilitate the positioning of the fire trays within the engine and combustion heater compartment additional supports may be used and the height of the prescribed test fire may be lowered to a minimum of 40 mm.

The test conditions in Appendices 2 to 5 may be adapted for the specific engine compartment and combustion heater compartment. The adaptation shall be based on the provisions given in Annex 3, paragraphs 7.5.1.5.4.2. and 7.5.1.5.4.3., determining the fire hazards within the compartment and the scaling of the fire suppression system. The adaptation shall provide an equivalent level of safety. The principles for the adaptation shall be verified

by the Technical Service responsible for the tests. The principle of adaption shall be documented and added to the test report.

- 1.4. High fire load
 - 1.4.1. The high fire load test shall be conducted in accordance with Appendix 2 of this annex.
 - 1.4.2. The test shall be conducted with the extinguishing agent and the propellant gas vessel or the suppression agent generator cooled to the minimum operating temperature for the fire suppression system, as declared by the manufacturer.
 - 1.4.3. The fires shall be fully extinguished, either, in the minute after activation or upon end of the discharge of the suppression system.
 - 1.4.4. The test is considered passed either after success at the first attempt or after success at the second and third attempts in case of failure at the first attempt.
- 1.5. Low fire load
 - 1.5.1. The low fire load test shall be conducted in accordance with Appendix 3 of this annex.
 - 1.5.2. The fires shall be fully extinguished either in the minute after activation or upon end of the discharge of the suppression system.
 - 1.5.3. The test is considered passed either after success at the first attempt or after success at the second and third attempts in case of failure at the first attempt.
- 1.6. High fire load with fan (if a fan is fitted in the engine and/or combustion heater compartment)
 - 1.6.1. The high fire load test with fan shall be conducted in accordance with Appendix 4 of this annex.
 - 1.6.2. The fires shall be fully extinguished either in the minute after activation or upon end of the discharge of the suppression system.
 - 1.6.3. The test is considered passed either after success at the first attempt or after success at the second and third attempts in case of failure at the first attempt.
- 1.7. Re-ignition test
 - 1.7.1. The re-ignition test shall be conducted in accordance with Appendix 5 of this annex.
 - 1.7.2. The fire shall be fully extinguished and no re-ignition shall occur 45 seconds after the extinguishing of the fire.
 - 1.7.3. The test is considered passed either after success at the first attempt or after success at the second and third attempts in case of failure at the first attempt.

Annex 13 - Appendix 1

Test apparatus, test fires and general test specifications

1. Test apparatus

1.1. The test apparatus is to be made of steel plate. The thickness of the steel plate shall be in accordance with Table 1. Figure 1 shows the test apparatus from the front side, Figure 2 from the rear side and Figure 3 from above. The front side of the test apparatus simulates the rear side of a real engine compartment.

Figure 1

Coordinate system for the position of objects in test apparatus (view from front side)

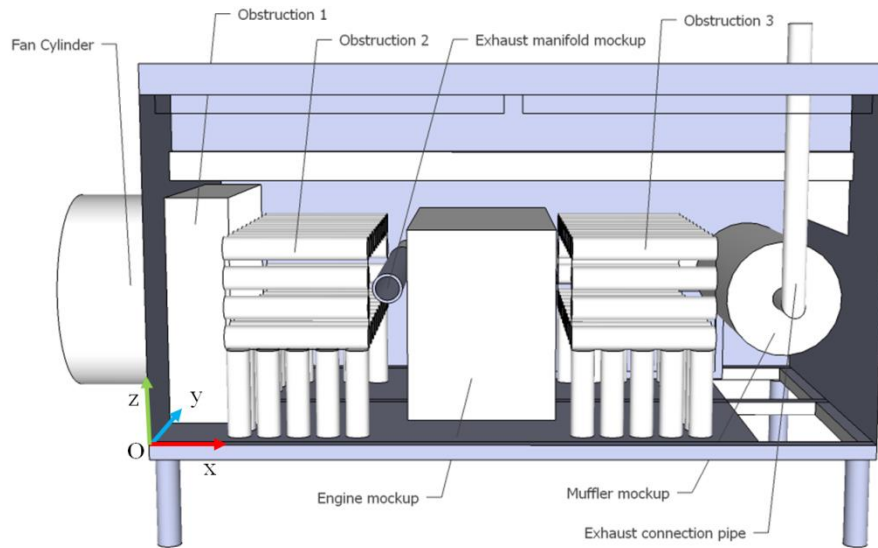


Figure 2

Test apparatus seen from the rear

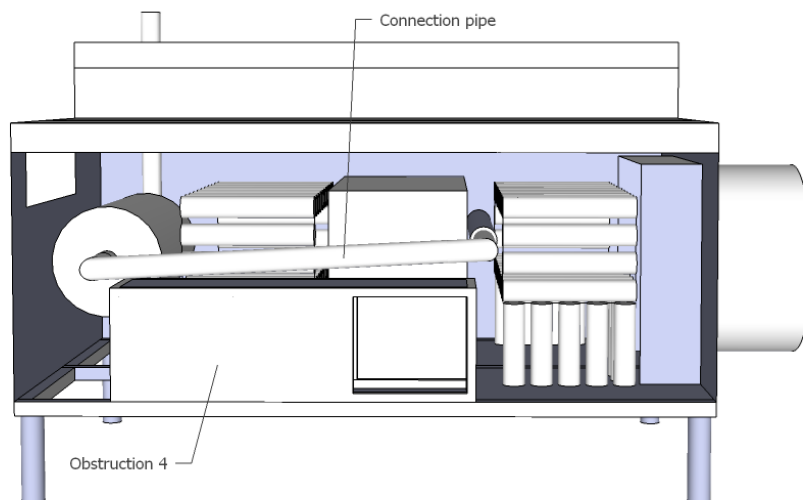


Figure 3
Test apparatus seen from above

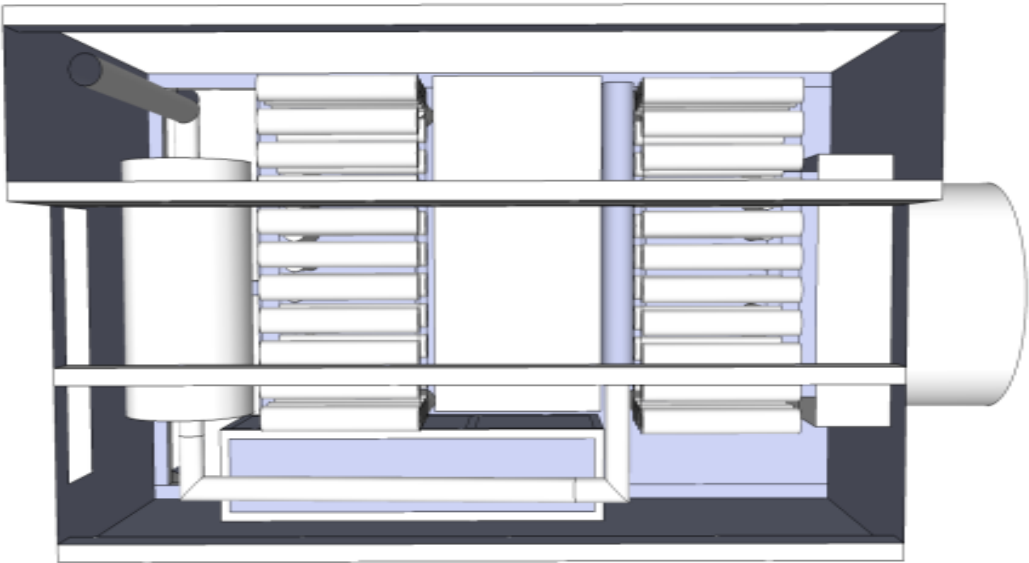


Table 1
Test apparatus objects

<i>Objects</i>	<i>Plate thickness</i>
Fan cylinder	1.5 – 2 mm
Obstructions	1.5 – 2 mm
Exhaust manifold mock-up	8 mm
Engine mock-up	2 – 3 mm
Muffler mock-up	2 – 3 mm
Exhaust pipe	2 – 3 mm
Connection pipe	2 – 3 mm
Walls, ceiling and floor	1.5 – 3 mm

- 1.2. Object locations
- 1.2.1. All objects in the test apparatus are positioned according to coordinates (x, y, z) as shown in Table 2. Origin is the position marked (O) in Figure 1. The value of the coordinates is the distance in metres from the origin (see Figure 1), i.e. left-front-bottom corner.

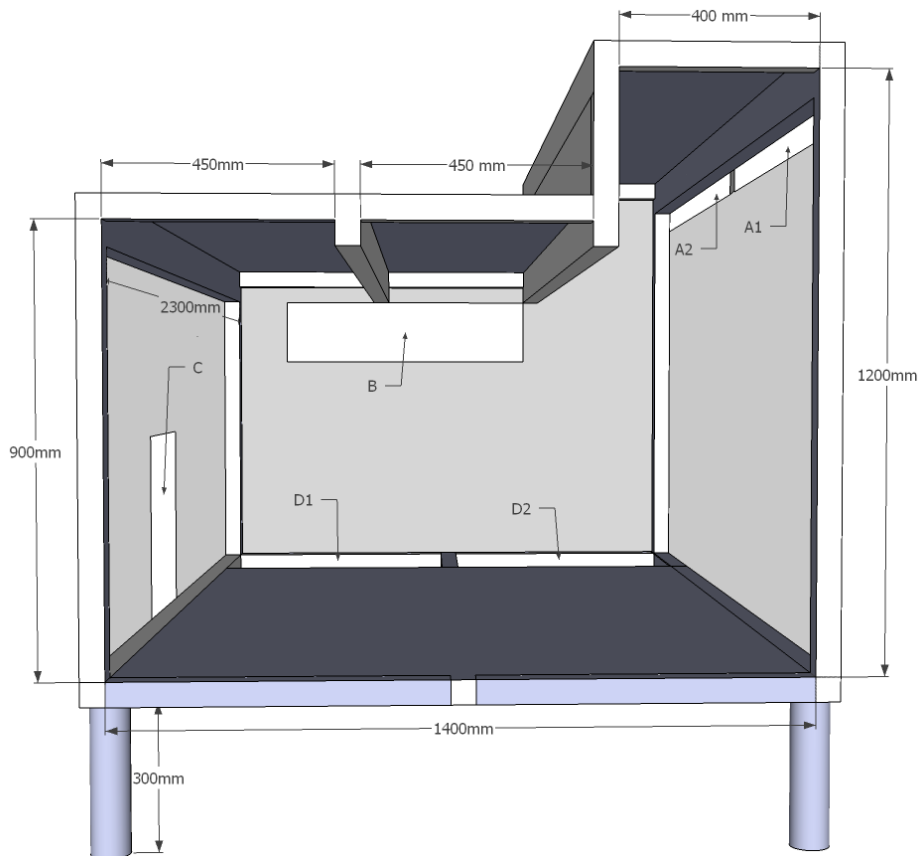
Table 2
Coordinates of objects

Objects	Coordinates [x; y; z]
Fan cylinder	[-0.60; 0.40; 0.10]
Obstruction 1	[0.0; 0.26; 0.0]
Obstruction 2	[0.26; 0.05; 0.02]
Exhaust manifold mock-up	[0.76; 0.05; 0.47]
Engine mock-up	[0.87; 0.05; 0.04]
Obstruction 3	[1.44; 0.05; 0.02]
Obstruction 4	[0.82; 1.2; 0.0]
Muffler mock-up	[2.0; 0.28; 0.23]

1.3. Framework

1.3.1. The framework of the test apparatus shall be constructed according to Figure 4. The sizes of the beams are 50 mm × 50 mm and 100 mm × 50 mm respectively. The framework shall be 300 mm above the ground.

Figure 4
Framework for the test apparatus



1.4. Apertures

- 1.4.1. In addition to the opening for the fan, the test apparatus includes six apertures. The dimensions and positions of the apertures are given according to the coordinates in Table 3. The positions are given by referring to two diagonally opposite corners (all apertures are rectangular in shape). The apertures are shown in Figure 4.

Table 3
Coordinates of apertures in the test apparatus

<i>Aperture</i>	<i>Coordinates [x; y; z] – [x; y; z]</i>	<i>Area of aperture</i>
A1	[0.03; 0.00; 1.08] – [1.18; 0.00; 1.13]	0.06 m ²
A2	[1.22; 0.00; 1.08] – [2.37; 0.00; 1.13]	0.06 m ²
B	[2.40; 0.50; 0.70] – [2.40; 1.30; 0.90]	0.16 m ²
C	[0.85; 1.50; 0.03] – [1.24; 1.50; 0.36]	0.13 m ²
D1	[2.00; 0.05; 0.00] – [2.35; 0.73; 0.00]	0.27 m ²
D2	[2.00; 0.78; 0.00] – [2.35; 1.20; 0.00]	0.26 m ²
	Total area of aperture:	0.94 m ²

1.5. Fan

- 1.5.1. An axial fan with a diameter of 710 mm shall be mounted on the left side of the fan cylinder. The diameter of the cylinder shall be equal to the diameter of the fan. The fan shall produce a certain rate of air flow through the cylinder according to the test scenarios in Appendices 2 to 5. A frequency converter may be used to adjust the fan speed.

1.6. Mock-up components

- 1.6.1. The dimensions of the engine mock-up are 1,000 mm × 650 mm × 500 mm. The dimensions of the muffler mock-up are diameter 400 mm × 800 mm. The exhaust manifold mock-up shall have the inner dimensions of diameter 80 mm × 900 mm. The mock-up components shall be hollowed. The exhaust manifold mock-up shall be connected to the muffler mock-up through a pipe with a diameter of 76 mm. A pipe from the muffler mock-up shall also be used to carry the exhaust gases from the pre-warming system out from the test apparatus.

1.7. Thermocouples

- 1.7.1. Seven thermocouples (Tc) shall be mounted on the exhaust manifold mock-up, drilled 2 mm into the tube from the outside. Thermocouples Tc1 to Tc4 shall be located on top of the mock-up at the distances from the mock-up inlet according to Table 4. Thermocouples Tc5 to Tc7 shall be located around the mock-up at the same distance from the inlet as Tc2. The location of the thermocouples is illustrated in Figures 5 and 6.

Table 4
Distance to thermocouple from inlet of exhaust manifold mock-up

<i>Thermocouple</i>	<i>Distance from inlet</i>
Tc1	250 mm
Tc2	300 mm
Tc3	350 mm
Tc4	600 mm
Tc5	300 mm
Tc6	300 mm
Tc7	300 mm

Figure 5
Thermocouples on the exhaust manifold mock-up

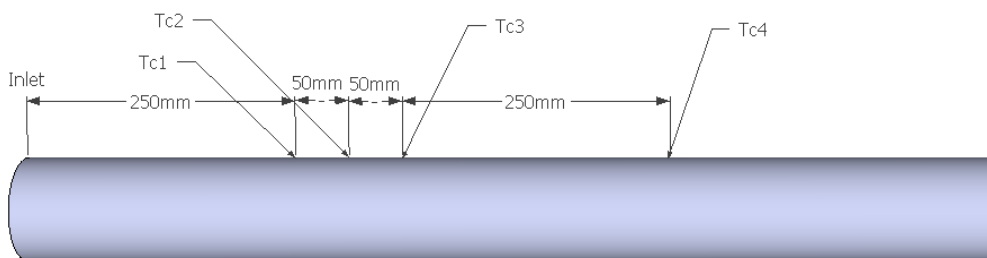
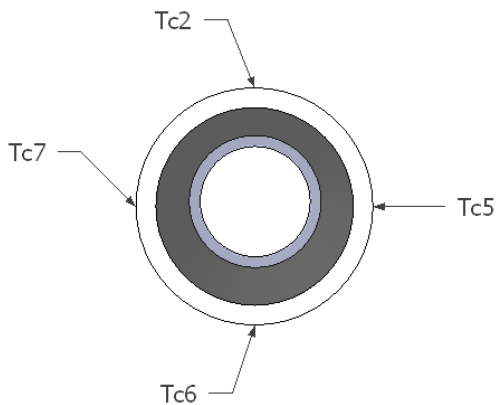


Figure 6
Thermocouples on the exhaust manifold mock-up (the inlet of the mock-up is on the left side)



- 1.8. Propane burner
- 1.8.1. The propane burner used to pre-warm the exhaust system shall be chosen as to fulfil the requirements on achieved temperatures specified in paragraph 3.4.6.

1.9. Obstructions

1.9.1. Obstruction 1 has the dimensions of 900 mm × 840 mm × 230 mm, as shown in Figure 7. Obstructions 2 and 3 consist of horizontal and vertical obstruction tubes as shown in Figure 8. The horizontal obstruction tubes are closed and hollow, with a diameter of 80 mm and a length of 480 mm. The vertical tubes are hollow and open in the bottom, with a diameter of 80 mm and a length of 230 mm. The open distance between every tube is 20 mm.

Figure 7
Obstruction 1

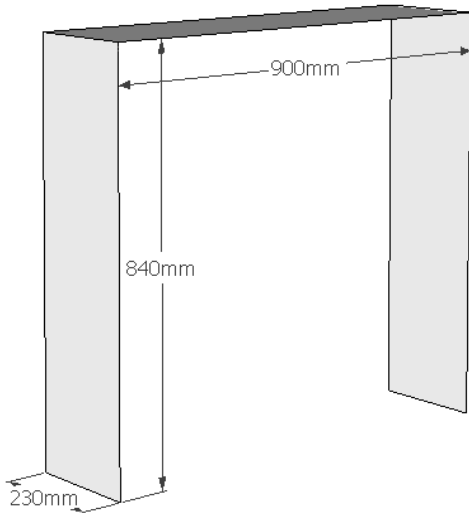


Figure 8
Obstruction 2 and 3

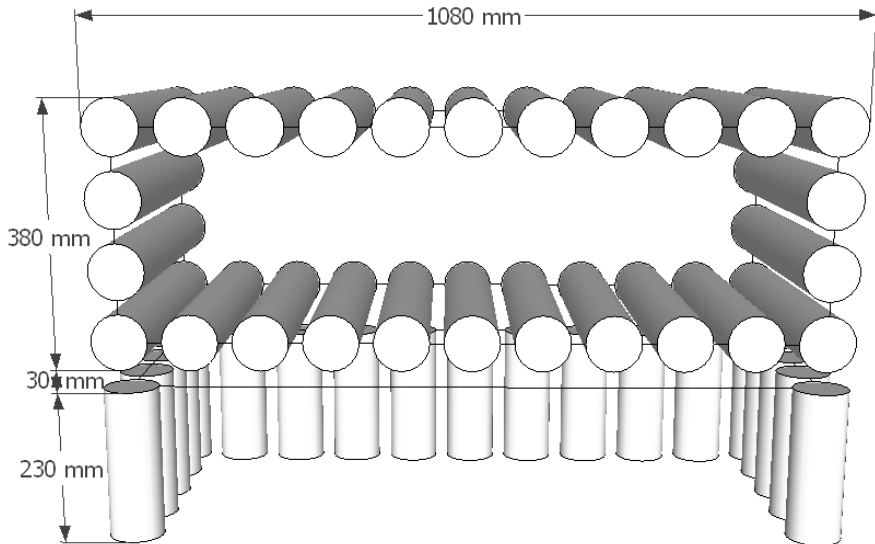
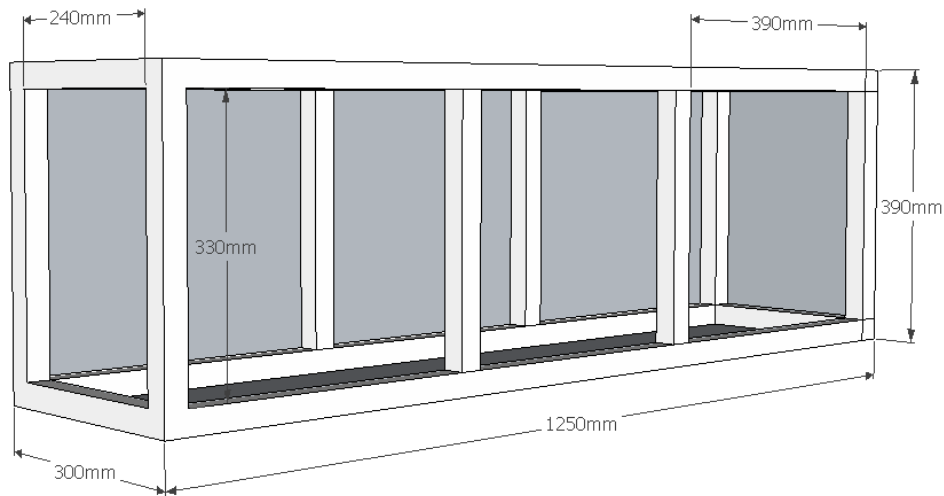


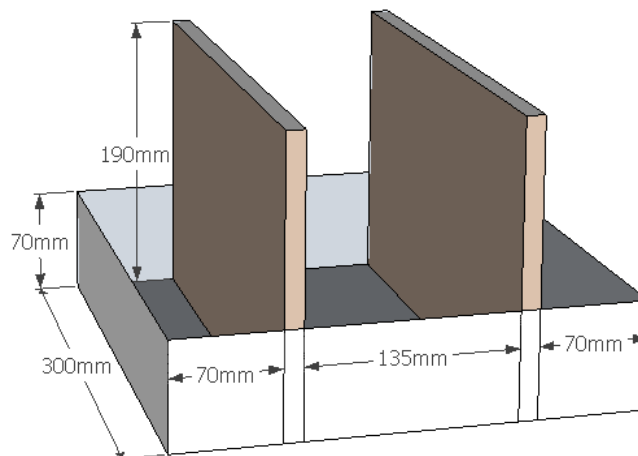
Figure 9
Obstruction 4



1.10. Pool Fire trays

1.10.1. The square pool fire trays with fibreboards and the rectangular pool fire trays shall be positioned in its orientation according to the test scenarios in Appendices 2 to 4. Figure 10 shows the dimensions for test fire No. 2. The test fire shall be positioned perpendicular to the long edge of the test apparatus.

Figure 10
Distances for test fire No. 2



2. Test fires

2.1. The test fires in Table 5 are to be used in the different test scenarios described in Appendices 2 to 5. Diesel oil (commercial fuel oil or light diesel oil), heptane (C₇H₁₆) and engine oil 15W-40 with a flash point COC of 230 °C and viscosity at 40 °C of 107 mm²/s shall be used as test fuels.

Table 5
Test fires

<i>Test fire No.</i>	<i>Description</i>	<i>Fuel</i>	<i>Approximate peak Heat Release Rate 60 sec after ignition</i>
1	Pool fire 300 mm × 300 mm	Diesel oil and heptane	60 kW
2	Pool fire 300 mm × 300 mm and 2 fibreboards	Diesel oil and heptane	110 kW
3	Pool fire 200 mm × 300 mm	Diesel oil and heptane	40 kW
4	Pool fire diameter 150 mm	Diesel oil and heptane	7 kW
5	Spray fire (450 kPa, 0.73 kg/min. ±10 per cent)	Diesel oil	520 kW
6	Spray fire (450 kPa, 0.19 kg/min ±10 per cent)	Diesel oil	140 kW
7	Dripping oil fire (40 droplets/min. ±10)	Engine oil	5 kW

- 2.2. Three different types of pool fire trays are applied in Table 5: square, rectangular and circular. Detailed descriptions of these trays are given in Table 6.

Table 6
Specification of pool fire trays

<i>Dimensions</i>	<i>Rim height</i>	<i>Nominal thickness</i>	<i>Used for test fire No.</i>
300 mm × 300 mm	70 mm	1.5 mm	1, 2
200 mm × 300 mm	70 mm	2 mm	3
Diameter 150 mm	100 mm	1.5 mm	4

- 2.3. The amount of water, diesel and heptane used in the tests shall be in accordance with Table 7.

Table 7
Amount of fuel used in pool fire trays

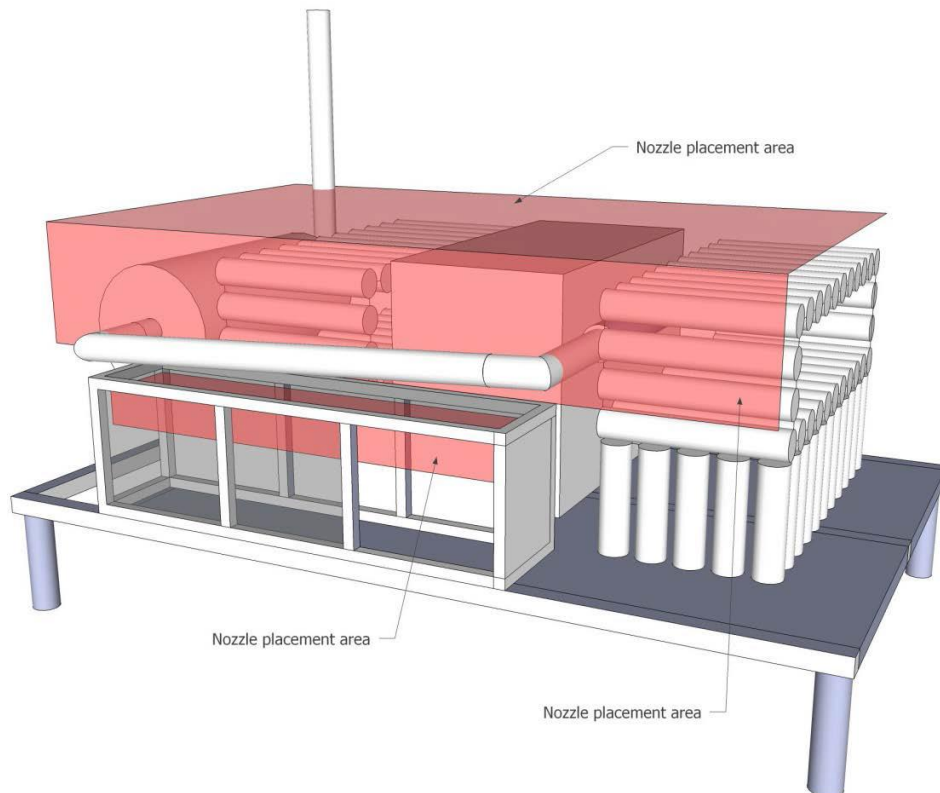
<i>Dimensions</i>	<i>Water</i>	<i>Diesel</i>	<i>Heptane</i>	<i>Used for test fire No.</i>
300 mm × 300 mm	1.01	0.51	0.21	1, 2,
200 mm × 300 mm	0.51	0.51	0.21	3
Diameter 150 mm	0.21	0.21	0.11	4

- 2.4. Test fire No. 2 consists of a heptane pool and two diesel soaked fibreboards with a dry density of 3.5 kg/m³. The dimensions of the fibreboards shall be 12 mm × 295 mm × 190 mm. The fibreboards shall consist of at least 90 per cent raw material from wood. The moisture content in the boards before they are soaked in diesel oil shall not exceed 7 per cent. The fibreboards shall be completely immersed in diesel oil for at least 10 minutes prior to the test and mounted vertically in the pool fire tray not more than 10 minutes before the start of the test.
- 2.5. Test fire Nos. 5 and 6 consist of diesel oil spray fires while Test fire No. 7 consists of a dripping oil fire (by hot surface ignition).

The spray nozzle for test fire No. 5 shall be a Lechler 460.368.30 or an equivalent. The spray nozzle for test fire No. 6 shall be a Lechler 212.245.11 or an equivalent. The spray nozzle for test fire No. 7 shall be a Danfoss 0.60X80H or an equivalent.

3. Installation of the fire suppression system
 - 3.1. To obtain the minimum discharge rate condition, an extinguishing system is to be assembled using its maximum piping limitations with respect to the number of fittings and size and length of pipe, if relevant. The cylinder is to be used with its rated capacity and the cylinder or gas cartridge pressurized with propellant gas to the normal operating pressure, if relevant.
 - 3.2. The fire suppression system shall be installed by the system manufacturer or supplier. Figure 11 shows the area where extinguishing agent discharge points such as of nozzles, extinguishing agent generators or extinguishing agent discharge tubes may be located. The discharge points shall be positioned inside the test apparatus, at two different areas:
 - (a) In the ceiling and at the rear wall. Discharge points positioned in the ceiling shall be positioned at a minimum of 750 mm above the floor level ($z \geq 0.75$) and outside of Obstruction 1. Nozzles positioned at the rear wall shall be positioned within 350 mm from the rear wall ($y \geq 1.15$) and minimum 450 mm from the floor level ($z \geq 0.45$). Figures 17 and 18 show the area where the nozzles may be located.
 - (b) Inside the small box (referred to as Obstruction 4) in the rear side of the test apparatus. Nozzles shall be located in the ceiling of the box with a minimum of 290 mm from the floor ($z \geq 0.29$).

Figure 11
Nozzle positioning seen from the rear side of test apparatus



- 3.3. The system set-up and configuration shall be observed and documented prior to the test (e.g. amount of suppression agent and propellant gas, system pressure, number, type and location of discharge points, length of pipes and number of fittings).
 Temperature shall be measured during the re-ignition tests at locations specified in Appendix 1.
- 3.4. Practical conduct of a test
- 3.4.1. The pool fire trays are to be filled with diesel and heptane on a base of water according to Table 7. If fibreboards are to be used as the fire source, the fibreboards shall be soaked in diesel oil, prior to the test, according to instructions in paragraph 2.4. above.
- 3.4.2. A pre-burn time based on the information in Appendices 2 to 5 is required. The pre-burn time is measured beginning from the time the first fire is ignited. All pool fires in the test scenarios shall be ignited within the allowed ignition-time, according to Appendices 2 to 5, using a suitable ignition source. The low fire load scenario in Appendix 3 may be performed either with one test fire at a time or the test fires combined with the suppression system showing its ability to extinguish all test fires, separately or merged.
- 3.4.3. A fan is used in some of the test scenarios to obtain a specific air flow rate into the test apparatus. The fan shall be engaged 30 seconds before the suppression system is activated. The fan shall remain active until the test is complete, i.e. until it is determined whether the test is passed or failed.

- 3.4.4. A diesel spray is used in some of the test scenarios. The diesel spray shall be activated 10 seconds prior to activation of the suppression system. The diesel spray shall remain active until the test is completed, i.e. until it is clarified if the test is passed or failed.
- 3.4.5. After the stipulated pre-burn time, the suppression system shall be manually or automatically activated.
- 3.4.6. In the test for re-ignition, the exhaust manifold mock-up tube is pre-heated prior to the test with a burner. Pressurized air may be added to the flame for better combustion. The tube shall be heated from the inner side until the temperature of Tc2 is above 600 °C and Tc1 is above 570 °C and the temperatures of Tc5, Tc6 and Tc7 not are less than 520 °C. When the predefined temperatures are reached the pre-heating procedure stops. After 30 seconds the engine oil shall start dripping and the suppression system activate 15 seconds later. The engine oil shall ignite before activation of the suppression system. The oil shall continue to drip on to the tube until it is clarified if the test is passed or failed.
4. Tolerances
- 4.1. A tolerance of ± 5 per cent of the stipulated values shall apply (for time values: ± 5 seconds).

Annex 13 - Appendix 2

High fire load scenario

Table 1
Test fires in high fire load scenario

<i>Test fire No.</i> <i>(see Table 5 in Appendix 1)</i>	<i>Description</i>	<i>Coordinates [x; y; z]</i> <i>(see Figure 1 in Appendix 1)</i>
6	Spray fire (4.5 bar, 0.19 kg/min)	[1.47; 0.73; 0.46]
3	Pool fire 200 mm × 300 mm	[0.97; 0.85; 0.70]
4	Pool fire diameter 150 mm	[0.97; 1.28; 0.00]
3	Pool fire 200 mm × 300 mm	[1.54; 0.57; 0.36]
2	Pool fire 300 mm × 300 mm and 2 Fibreboards	[1.54; 0.77; 0.36]
3	Pool fire 200 mm × 300 mm	[1.54; 0.13; 0.00]

Note: The fan is not used

Table 2
Test procedure for high fire load scenario

<i>Time</i>	<i>Action</i>
00:00	Start measuring time
01:20	Ignite pool fires (within 20 seconds)
01:50	Start diesel spray
02:00	Activate suppression system

Figure 1
Test fire positioning, view from the front side

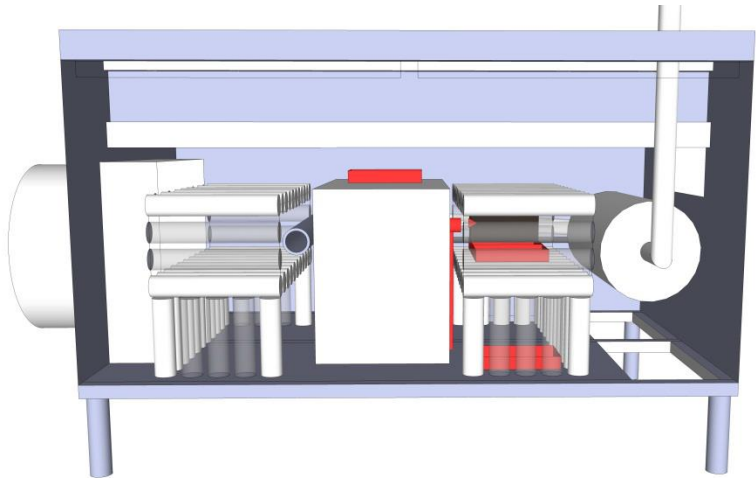
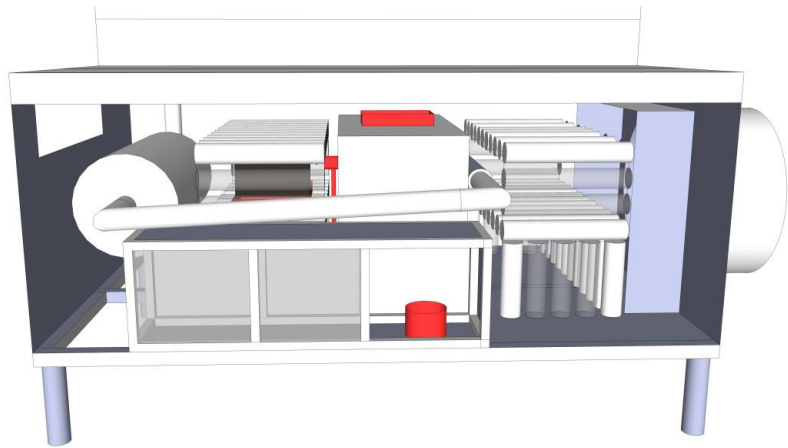


Figure 2
Test fire positioning, view from the rear side



Annex 13 - Appendix 3

Low fire load scenario

Table 1
Test fires in low fire load scenario

<i>Test fire No.</i> <i>(see Table 5 in Appendix 1)</i>	<i>Description</i>	<i>Coordinates [x; y; z]</i> <i>(see Figure 1 in Appendix 1)</i>
4	Pool fire diameter 150 mm	[0.02; 0.08; 0.00]
3	Pool fire 200 mm × 300 mm	[0.37; 0.57; 0.00]
4	Pool fire diameter 150 mm	[0.45; 1.20; 0.00]
4	Pool fire diameter 150 mm	[0.97; 1.28; 0.00]
4	Pool fire diameter 150 mm	[1.54; 0.57; 0.00]

Note: The fan is producing an air flow of 1.5 m³/s.

Table 2
Test procedure for low fire load scenario

<i>Time</i>	<i>Action</i>
00:00	Start measuring time
01:00	Ignite pool fires (within 30 seconds)
01:30	Engage the fan
02:00	Activate suppression system

Figure 1
Test fire positioning, view from the front side

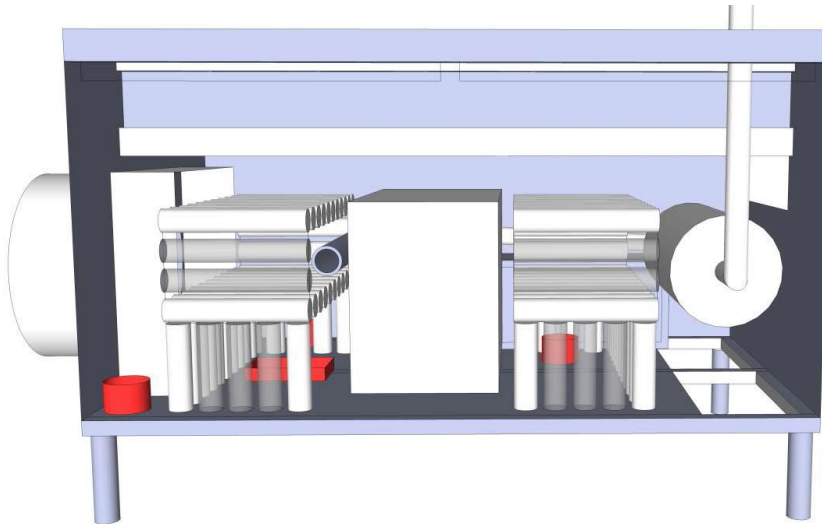
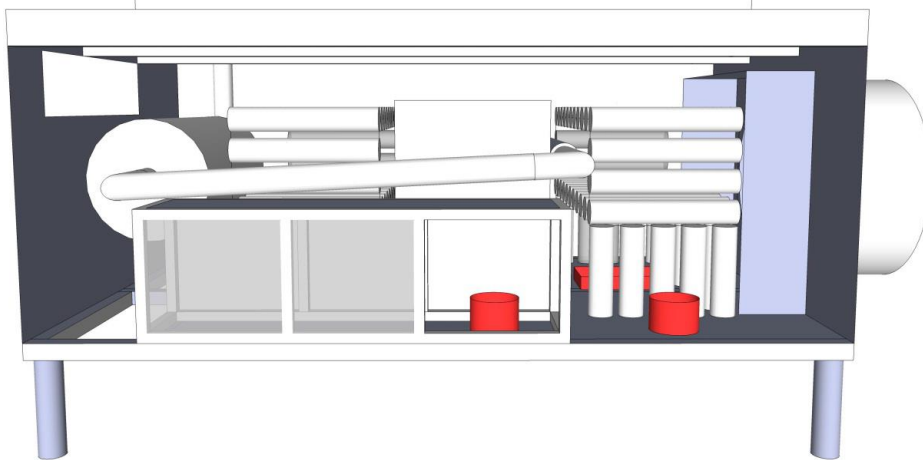


Figure 2
Test fire positioning, view from the rear side



Annex 13 - Appendix 4

High fire load scenario with fan

Table 1
Test fires in high fire load scenario with fan

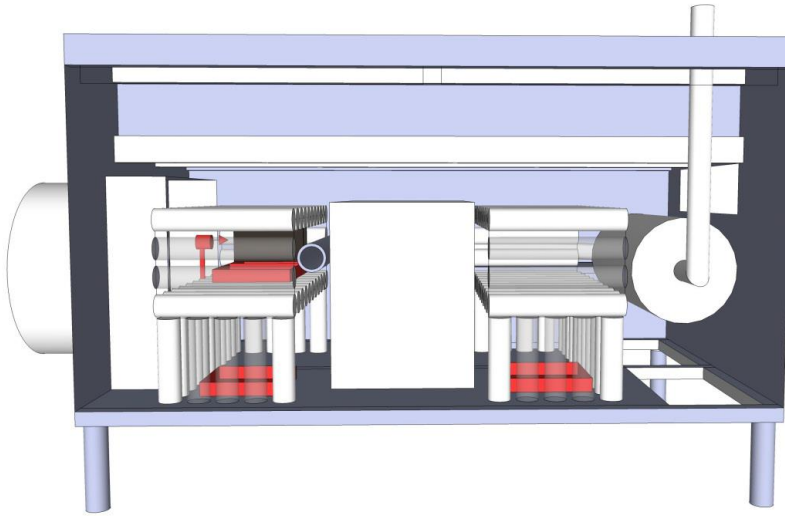
<i>Test fire No.</i> <i>(see Table 5 in Appendix 1)</i>	<i>Description</i>	<i>Coordinates [x; y; z]</i> <i>(see Figure 1 in Appendix 1)</i>
5	Spray fire (4.5 bar, 0.73 kg/min)	[0.37; 0.70; 0.46]
1	Pool fire 300 mm × 300 mm	[0.37; 0.47; 0.36]
2	Pool fire 300 mm × 300 mm and 2 fibreboards	[0.37; 0.77; 0.36]
1	Pool fire 300 mm × 300 mm	[0.37; 0.13; 0.00]
1	Pool fire 300 mm × 300 mm	[1.54; 0.13; 0.00]

Note: The fan is producing an air flow of 1.5 m³/s.

Table 2
Test procedure for high fire load scenario with fan

<i>Time</i>	<i>Action</i>
00:00	Start measuring time
01:00	Ignite pool fires (within 20 seconds)
01:30	Engage the fan
01:50	Start diesel spray
02:00	Activate suppression system

Figure 1
Test fire positioning, view from the front side



Annex 13 - Appendix 5

Re-ignition scenario

Table 1
Test fires in re-ignition scenario

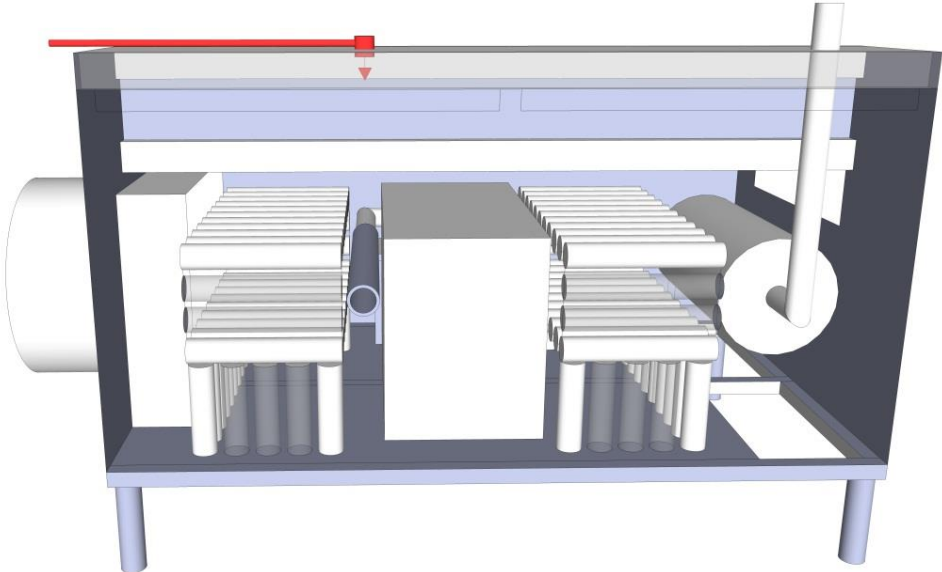
<i>Test fire No.</i> <i>(see Table 5 in Appendix 1)</i>	<i>Description</i>	<i>Coordinates [x; y; z]</i> <i>(see Figure 1 in Appendix 1)</i>
7	Dripping oil fire (2 bar, 0.01 kg/min)	[0.82; 0.28; 1.22]

Note: The fan is not used.

Table 2
Test procedure for re-ignition scenario

<i>Time</i>	<i>Action</i>
Prior to test	Pre-heat tube
00:00	Predefined temperatures are reached
00:30	Start oil dripping
00:45	Activate suppression system (the oil shall ignite before)

Figure 1
Test fire positioning, view from the front side



"

