

Submitted by the expert from EC

**Informal document GRSP-56-41
(56th GRSP, 9-12 December 2014,
agenda item 16)**

Proposal of amendments to ECE/TRANS/WP.29/GRSP/2014/32

Proposal for Supplement 1 to the 01 series of amendments to Regulation No. 127 (Pedestrian safety)

Submitted by the expert from the European Commission as Chair of the Task Force on Bumper Test Area within the Informal Working Group on global technical regulation No. 9 Phase 2*

The text reproduced below was prepared by the experts in the Task Force on Bumper Test Area (TF-BTA) which is a subgroup of the Informal Working Group on global technical regulation No. 9 Phase 2. TF-BTA is proposing an amendment to the provisions of the bumper test. This text is based on a document without symbol (GRSP-55-41) distributed during the fifty-fifth session of the Working Party on Passive Safety (GRSP) and is an alternative to ECE/TRANS/WP.29/GRSP/2014/31. The modifications to the current text of the UN Regulation are marked in bold for new or strikethrough for deleted characters.

Deleted: Economic Commission for Europe
Inland Transport Committee
World Forum for Harmonization of Vehicle Regulations
Working Party on Passive Safety
Fifty-sixth session
Geneva, 9-12 December 2014
Item 16 of the provisional agenda
Regulation No. 127 (Pedestrian safety)

* In accordance with the programme of work of the Inland Transport Committee for 2012–2016 (ECE/TRANS/224, para. 94 and ECE/TRANS/2012/12, programme activity 02.4), the World Forum will develop, harmonize and update Regulations in order to enhance the performance of vehicles. The present document is submitted in conformity with that mandate.

I. Proposal

Insert new paragraph 2.12., to read:

"2.12. **"Bumper beam"** means the structural cross member under the bumper fascia protecting the front of the vehicle. The beam does not include foam, cover support or any pedestrian protection devices."

Former paragraph 2.12., renumber as paragraph 2.13.

Former paragraph 2.13., renumber as paragraph 2.14. and amend to read:

"2.14. **"Bumper test area"** means ~~the frontal surface of the bumper limited by two longitudinal vertical planes intersecting points 66 mm inside the defined corners of the bumpers. either the front vehicle fascia between the left and right corner of bumper as defined in paragraph 2.17., minus the areas covered by the distance of 42 mm inboard of each corner of bumper, with this distance to be set from the most outboard point with a flexible tape held tautly along the outer surface of the vehicle, or the outermost ends of the bumper beam as defined in paragraph 2.12. (see Figure 5D), whichever area is wider. This distance is to be set with a flexible tape held tautly along the outer surface of the vehicle.~~

Former paragraphs 2.14. and 2.15., renumber as paragraphs 2.15. and 2.16.

Former paragraph 2.16., renumber as paragraph 2.17. and amend to read:

"2.17. **"Corner of bumper"** means ~~the transversal position of the vehicle's point of contact with a vertical plane which makes an angle of 60° with the vertical longitudinal plane of the vehicle and is tangential to the outer surface of the bumper (see Figure 5).~~ **corner gauge as defined in Figure 5B.**

For determination of the corner of bumper, the front surface of the corner gauge is moved parallel to a vertical plane with an angle of 60° to the vertical longitudinal centre plane of the vehicle (see Figures 5A and 5C) at any height of the centre point of the corner gauge between:

- (a) **Equal to and above the point found on the vertical line intersecting the Lower Bumper Reference Line at the assessment position in transversal direction or at 75 mm above the ground reference plane, whichever is higher.**
- (b) **Equal to and below the point found on the vertical line intersecting the Upper Bumper Reference Line at the assessment position in transversal direction or at 1,003 mm above the ground reference plane, whichever is lower.**

For determination of the corner of bumper, the gauge is moved to contact the outer contour/front fascia of the vehicle touching at the vertical centre line of the gauge. The horizontal centre line of the gauge is kept parallel to the ground plane.

The corners of bumper on both sides are subsequently defined as the outermost points of contact of the gauge with the outer contour/front fascia of the vehicle as determined in accordance with this procedure. Any points of contact on the top and the bottom edges of the gauge are not taken into account. The rear and side view mirrors and the tyres shall not be considered."

Formatted: Strikethrough

Figure 5, amend to read:

"Figure 5A

Corner of bumper example (see paragraph 2.17., note that the corner gauge is to be moved in vertical and horizontal directions to enable contact with the outer contour/
~~front fascia of the vehicle~~)

Deleted: and

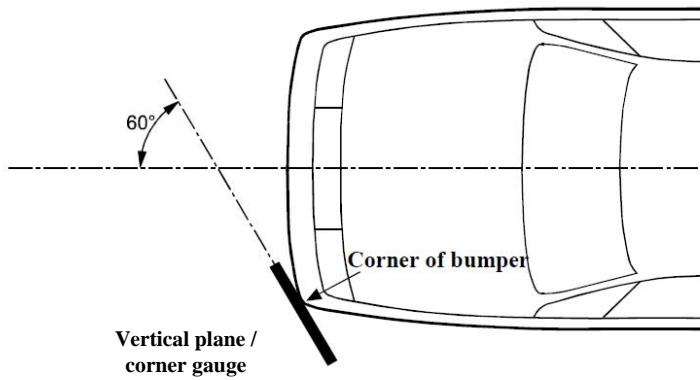
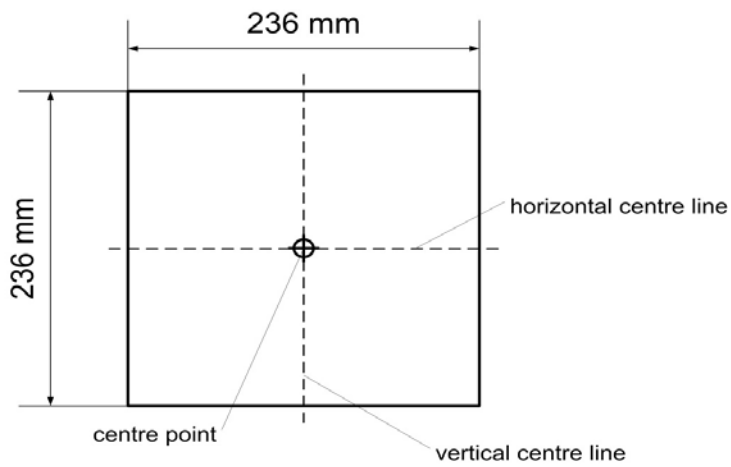


Figure 5B
Corner gauge



The front surface of the corner gauge is flat.

The centre point is the intersection of the vertical and horizontal centre lines on the front surface.

Formatted: Strikethrough

Figure 5C
Determination of the corner of bumper with the corner gauge (shown in random location)

Deleted: the

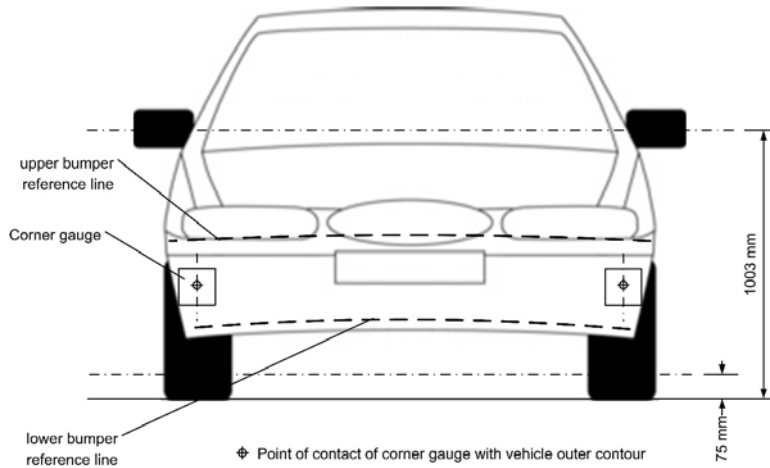
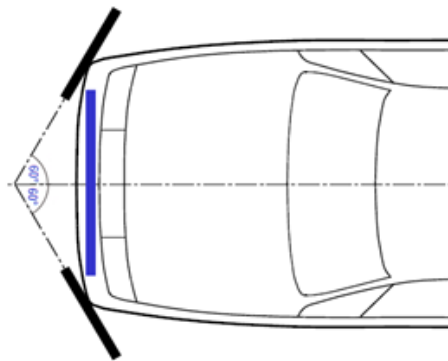


Figure 5D
Determination of bumper test area (note that the corner gauges are to be moved in vertical and horizontal directions to enable contact with the outer contour/front fascia of the vehicle)

Deleted: and



Former paragraphs 2.17. to 2.42., renumber as paragraphs 2.18. to 2.43.

Annex 5, paragraph 1.5., amend to read:

"1.5. A minimum of three lower legform to bumper tests shall be carried out, one each to the middle and the outer thirds of the bumper at positions judged to be the most likely to cause injury. Tests shall be to different types of structure, where they vary throughout the area to be assessed. The selected test points shall be a minimum of ~~132~~ 84 mm apart horizontally, and a minimum of ~~66~~ 42 mm inside the defined corners of the bumper. These minimum distances are to be set with a flexible tape held tautly along the outer surface of the vehicle. The positions tested by the laboratories shall be indicated in the test report."

Comment [TK1]: Acc. to the Japanese experts, the horizontally was discussed and agreed in the 54th GRSP (see minutes). It does not conflict with the flexible tape procedure.

Formatted: Not Strikethrough

II. Justification

1. Research showed a need to revise the procedure for determining the bumper test area. The current provisions allow the area to be narrower than intended in the legislative provisions.
2. The Task Force on Bumper Test Area held several meetings to assess the raised issue.
3. Findings show a probability that the cost/effectiveness as determined by legislators is negatively affected by the indicated shortcomings.
4. Detailed accident data give evidence of an equal distribution of first pedestrian contact at the front of passenger cars in crashes with at least one injury suffered from contact with a part of the vehicle front end.
5. There are two similar proposals in this context. The proposed measures here are reached through a compromise between issues of rotation of the legform in tests, which is considered as a non-biofidelic behaviour, and practical determination capabilities of angles surfaces by using a corner gauge, as well as the introduction of a definition of a rigid bumper beam. The widest area is selected as the bumper test area.
6. During testing injurious points have been found outside test areas defined by measurements depending on the outer contour, especially at the ends of the bumper beam. As procedures based on the outer vehicle contour do not necessarily include the relevant injurious vehicle structures (e.g. bumper beam), at least the entire bumper beam should be included within the test area.
7. A clearer definition of what is the bumper beam is provided by the Research Council for Automobile Repairs (RCAR).
8. The margin zone of half the width of the legform is needed to ensure stable measurement results on angled surfaces. As the bumper beam method is not linked to external fascia and its position/angle, the margin zone is not applied for the latter.
9. Although there is no consensus concerning this matter in the Task Force on Bumper Test Area, it has been suggested that the flexible pedestrian legform impactor works outside the current bumper test area as defined in UN Regulation No. 127, e.g. within the width of the bumper beam.
10. If these measures should constitute a new series of amendments, the following transitional provisions can be considered:

Insert new paragraphs 11.5. to 11.8., to read:

- "11.5 As from the official date of entry into force of the 02 series of amendments, no Contracting Party applying this UN Regulation shall refuse to grant or refuse to accept UN type approvals under this UN Regulation as amended by the 02 series of amendments.**
- 11.6 As from 01 September 2017, Contracting Parties applying this UN Regulation shall grant UN type approvals only if the vehicle type to be approved meets the requirements of this UN Regulation as amended by the 02 series of amendments.**
- 11.7 Contracting Parties applying this UN Regulation shall not refuse to grant extensions of UN type approvals for existing vehicle types which have been granted according to the preceding series of amendments to this UN Regulation.**

- 11.8** Even after the date of entry into force of the 02 series of amendments to this UN Regulation, UN type approvals to the preceding series of amendments to the UN Regulation shall remain valid. Contracting Parties applying this UN Regulation shall continue to accept them."
-