



Economic and Social Council

Distr.: General
29 December 2011

Original: English

Economic Commission for Europe

Inland Transport Committee

World Forum for Harmonization of Vehicle Regulations

156th session

Geneva, 13-16 March 2012

Item 4.13.1 of the provisional agenda

1958 Agreement – Consideration of draft Corrigenda to existing Regulations submitted by the secretariat

Proposal for Corrigendum 1 to Revision 6 of Regulation No. 37 (Filament lamps)

Note by the secretariat *

The text reproduced below has been prepared to correct Revision 6 of the Regulation concerning physical errors. It is submitted to the World Forum for Harmonization of Vehicle Regulations (WP.29) and to the Administrative Committee (AC.1) for consideration.

* In accordance with the programme of work of the Inland Transport Committee for 2010–2014 (ECE/TRANS/208, para. 106 and ECE/TRANS/2010/8, programme activity 02.4), the World Forum will develop, harmonize and update Regulations in order to enhance the performance of vehicles. The present document is submitted in conformity with that mandate.

After paragraph 3.9.5.3.2., add the missing paragraph number 3.10 before "Standard filament lamp", as follows:

"3.9.5.3.2. Not less than 120 per cent of the minimum limits prescribed for the headlamp type concerned.

3.10. Standard filament lamps

Additional requirements for standard (étalon) filament lamps are given on the relevant data sheets of Annex 1.

..."

Annex 1,

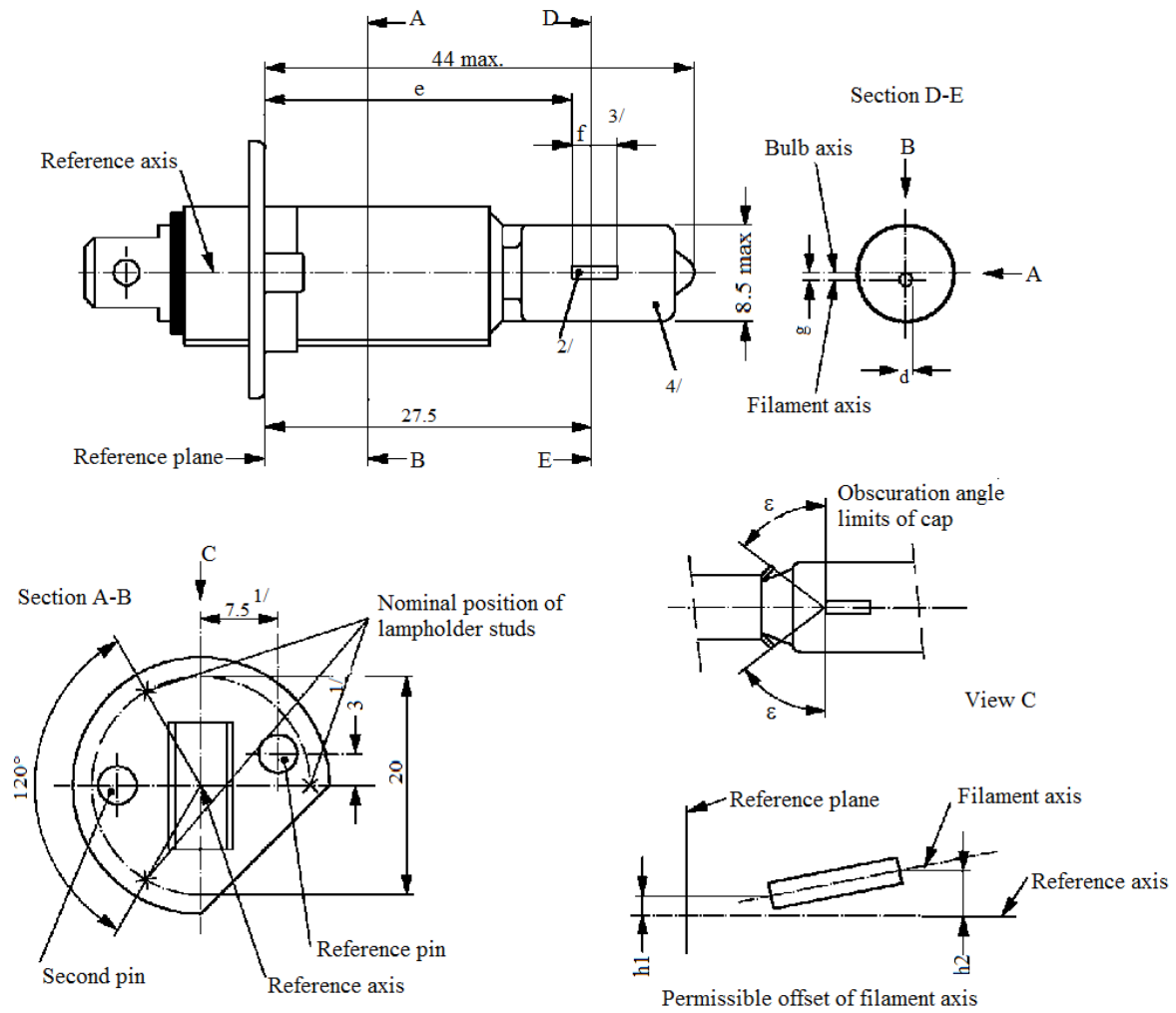
List of sheets for filament lamps and their sequence in this annex, align to the left, as follows:

"List of sheets for filament lamps and their sequence in this annex:

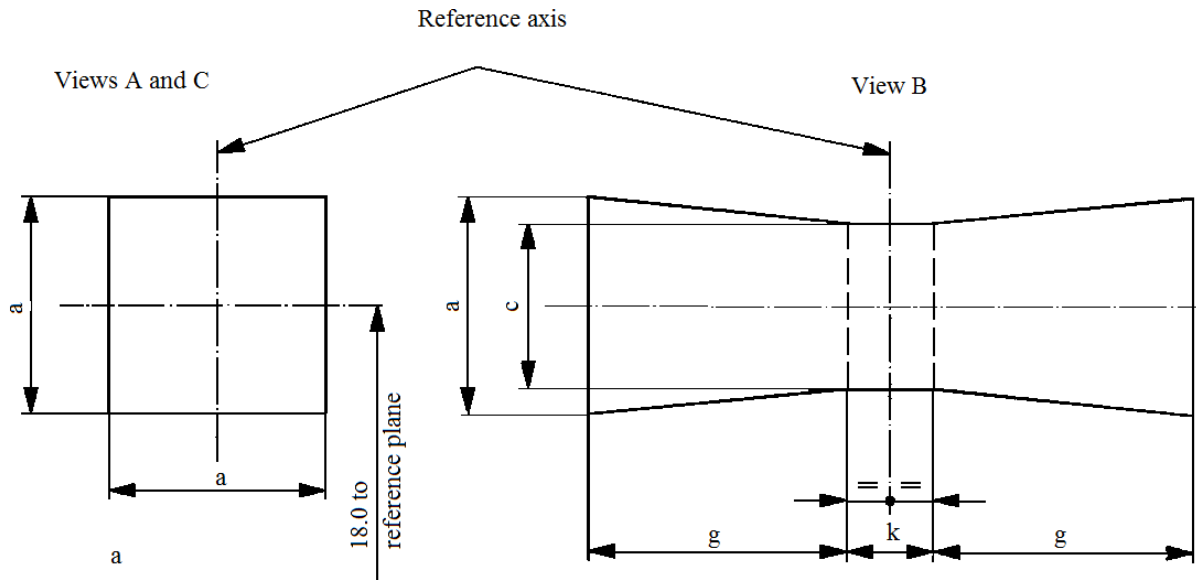
<i>Sheet number(s)</i>
C5W/1
C21W/1 to 2
H1/1 to 3
H3/1 to 4
H4/1 to 5
H7/1 to 4
H8/1 to 4
H9/1 to 4
H10/1 to 3
H11/1 to 4
H12/1 to 3
H13/1 to 4
H14/1 to 4
H15/1 to 5
H16/1 to 4
H6W/1
H10W/1 to 2
H21W/1 to 2
H27W/1 to 3
HB3/1 to 4
HB4/1 to 4
HIR1/1 to 3
HIR2/1 to 3
HS1/1 to 5
HS2/1 to 3
HS5/1 to 4
HS5A/1 to 3

<i>Sheet number(s)</i>
HS6/1 to 4
P13W/1 to 3
P19W/1 to 3
P21W/1 to 2
P21/4W/1
P21/5W/1 to 3
P24W/1 to 3
P27W/1 to 2
P27/7W/1 to 3
PC16W/1 to 3
PR21W/1
PR21/4W/1
PR21/5W/1
PR27/7W/1
PSX26W/1 to 3
PY21W/1
PY27/7W/1
R2/1 to 3
R5W/1
R10W/1
S1/S2/1 to 2
S3/1
T1.4W/1
T4W/1
W2.3W/1
W3W/1
W5W/1
W10W/1
W15/5W/1 to 3
W16W/1
W21W/1 to 2
W21/5W/1 to 3
WP21W/1 to 2
WR21/5W/1
WY2.3W/1
WY21W/1 to 2

Sheet H1/1, the drawing, View C, replace the designated angle "€" by 'ε', as follows:



Sheet H3/4, the text in the drawing top/left, replace "View A" by "Views A and C" ("and C" was forgotten), to read:



Sheet H4/1, Figure 1, the drawing, correct the typing mistake of "Axis of bulb".

Sheet H4/2, the table, row "Rated values, Volts", column "Filament lamps of normal production, 24 V", replace "12⁶" by "24⁶".

Sheet H4/4, the table, column "Reference*", centre values and replace "IR" and "IC" by "I_R" and "I_C", as follows:

Reference*		Dimension**		Tolerance		
				Filaments lamps of normal production		Standard filament lamp
12 V	24 V	12 V	24 V	12 V	24 V	12 V
a/26		0.8		±0.35		±0.20
a/23.5		0.8		±0.60		±0.20
b1/29.5	30.0	0		±0.30	±0.35	±0.20
b1/33		b1/29.5 mv	b1/30.0 mv	±0.30	±0.35	±0.15
b2/29.5	30.0	0		±0.30	±0.35	±0.20
b2/33		b2/29.5 mv	b2/30.0 mv	±0.30	±0.35	±0.15
c/29.5	30.0	0.6	0.75	±0.35		±0.20
c/33		c/29.5 mv	c/30.0 mv	±0.35		±0.15
d		min. 0.1		-		-
e ^{13/}		28.5	29.0	+0.35 -0.25	±0.35	+0.20 -0.00
f ^{11/,12/,13/}		1.7	2.0	+0.50 -0.30	±0.40	+0.30 -0.10
g/26		0		±0.50		±0.30
g/23.5		0		±0.70		±0.30
h/29.5	30.0	0		±0.50		±0.30
h/33		h/29.5 mv	h/30.0 mv	±0.35		±0.20
I _R ^{11/,14/}		4.5	5.25	±0.80		±0.40
I _C ^{11/,14/}		5.5	5.25	±0.50	±0.80	±0.35
p/33		Depends on the shape of the shield		-		-
q/33		(p+q)/2		±0.60		±0.30

Sheet H4/5, Additional explanations, 1, replace "IR" and "IC" by "I_R" and "I_C", as follows:

"...

- 1 For dimensions a, b1, c, d, e, f, I_R and I_C;
- 2 For..."

Sheet H8/3, the table, row "Cap:", remove inside borders, to read:

"

Cap:	H8:	PGJ19-1	in accordance with IEC Publication 60061 (sheet 7004-110-2)
	H8B:	PGJY19-1	in accordance with IEC Publication 60061 (sheet 7004-146-1)

"

Sheet H9/3, the table, row "Cap:", remove inside borders, to read:

"

Cap:	H9:	PGJ19-5	in accordance with IEC Publication 60061 (sheet 7004-110-2)
	H9B:	PGJY19-5	in accordance with IEC Publication 60061 (sheet 7004-146-1)

"

Sheet H11/3, the table, row "Cap:", remove inside borders, to read:

"

Cap:	H11:	PGJ19-2	in accordance with IEC Publication 60061 (sheet 7004-110-2)
	H11B:	PGJY19-2	in accordance with IEC Publication 60061 (sheet 7004-146-1)

"

Sheet H13/4, the table, insert inside borders (except for "Cap:" row) and centre 2nd column upper part up to the "Cap:" row), as follows:

"

Dimensions in mm		Tolerance			
		Filaments lamps of normal production		Standard filament lamp	
d1 ^{13/, 17/}	1.8 max.	-		-	
d2 ^{13/, 17/}	1.8 max.	-		-	
e ^{16/}	29.45	±0.20		±0.10	
f 1 ^{16/}	4.6	±0.50		±0.25	
f 2 ^{16/}	4.6	±0.50		±0.25	
g ^{8/, 17/}	0.5 d1	±0.40		±0.20	
h ^{8/}	0	±0.30		±0.15	
j ^{10/}	2.5	±0.20		±0.10	
k ^{10/}	2.0	±0.20		±0.10	
m ^{10/}	0	±0.20		±0.13	
n ^{10/}	0	±0.20		±0.13	
p ^{10/}	0	±0.08		±0.08	
β	42° min.	-		-	
δ	52° min.	-		-	
γ	43°	+0° / -5°		+0° / -5°	
θ ^{9/}	41°	±4°		±4°	
Cap: H13: P26.4t H13A: PJ26.4t in accordance with IEC Publication 60061 (sheet 7004-128-3)					
Electrical and photometric characteristics ^{18/}					
Rated values	Volts	12		12	
	Watts	55	60	55	60
Test voltage	Volts	13.2		13.2	
Objective values	Watts	68 max.	75 max.	68 max.	75 max.
	Luminous flux	1,100 ± 15%	1,700 ± 15%		
Reference luminous flux at approximately			12 V	800	1,200
			13.2 V	1,100	1,700

"

Sheet H14/3, the table, row " γ_3 ", column "Standard filament lamps", replace "0/5°" by "0/-5°" (according to Revision 5, Amendment 2)

"

Dimensions in mm		Filament lamp of normal production		Standard filament lamps	
e ^{8/}	26.15	10/		±0.1	
f1 ^{8/9/}	5.3	10/		±0.1	
f2 ^{8/9/}	5.0	10/		±0.1	
g	0.3 min.				
h1	0	10/		±0.1	
h2	0	10/		±0.15	
h3	0	10/		±0.15	
h4	0	10/		±0.15	
i	2.7			-	
j	2.5	10/		±0.1	
γ_1	55° min.	-		-	
γ_2	52° min.	-		-	
γ_3	43°	0/-5°		0/-5°	
Cap P38t in accordance with IEC Publication 60061 (sheet 7004-133-1)					
Electrical and photometric characteristics					
Rated values	Volts	12		12	
	Watts	55	60	55	60
Test voltage	Volts	13.2		13.2	
Objective values	Watts	68 max.	75 max.	68 max.	75 max.
	Luminous flux	1,150 ± 15%	1,750 ± 15%		
Reference luminous flux at approximately			12 V	860	1,300
			13.2 V	1,150	1,750

"

Sheet H15/1, the drawings, Figure 2, move up the parameter "V"; Figure 3, move up the value "4.5"; Figure 4, move up the parameters " γ_1 " and " γ_2 ", as follows:

Figure 1 - Main drawing

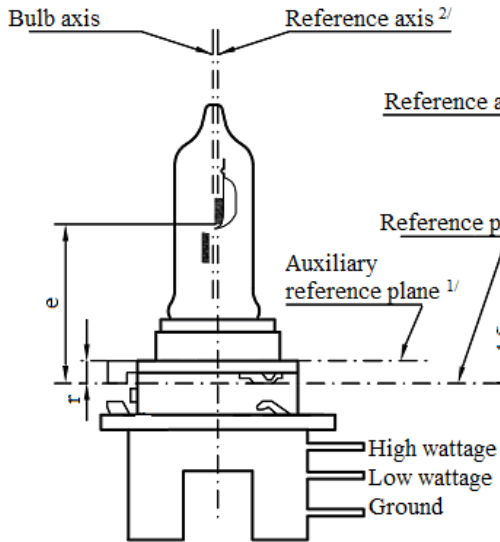


Figure 3 - Maximum lamp outlines ^{3/}

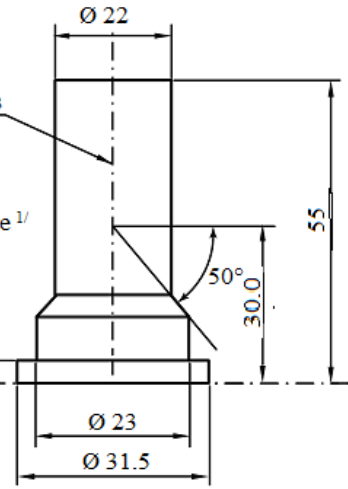


Figure 2 - Definition of reference axis ^{2/}

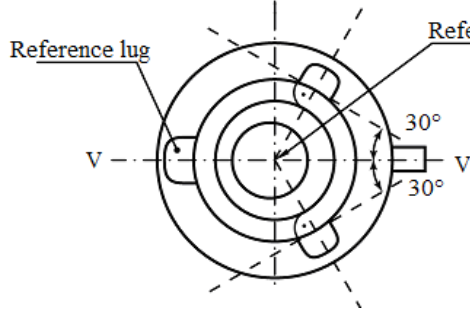
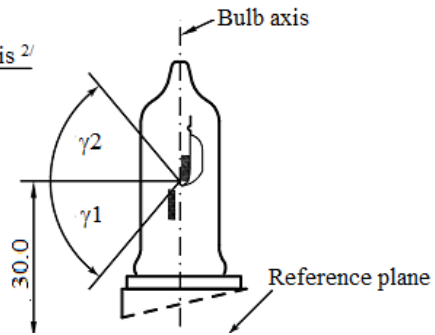


Figure 4 - Distortion free area ^{4/}



Sheet H15/4, the table, column "Reference*", centre values and replace "I_R" and "I_C" by "IR" and "IC", as follows:

"

Reference*		Dimension**		Tolerance			
				Filament lamps of normal production		Standard filament lamp	
12 V	24 V	12 V	24 V	12 V	24 V	12 V	24 V
a/24.0	a/24.5	1.8		±0.35		±0.20	
a/26.0		1.8		±0.35		±0.20	
b1/31.0		0		±0.30		±0.15	
b1/33.5	b1/34.0	b1/31.0 mv		±0.30		±0.15	
b2/31.0		0		±0.30		±0.15	
b2/33.5	b2/34.0	b2/31.0 mv		±0.30		±0.15	
c1/31.0		0		±0.30	±0.50	±0.15	±0.25
c1/33.5	c1/34.0	c1/31.0 mv		±0.30	±0.50	±0.15	±0.25
c2/33.5	c2/34.0	1.1		±0.30	±0.50	±0.15	±0.25
d		min. 0.1		-		-	
f ^{8/, 9/, 10/}		2.7		±0.30	±0.40	+0.20 -0.10	+0.25 -0.15
g/24.0	g/24.5	0		±0.50	±0.70	±0.25	±0.35
g/26.0		0		±0.50	±0.70	±0.25	±0.35
h/31.0		0		±0.50	±0.60	±0.25	±0.30
h/33.5	h/34.0	h/31.0 mv		±0.30	±0.40	±0.15	±0.20
IR ^{8/, 11/}		4.2	4.6	±0.40	±0.60	±0.20	±0.30
IC ^{8/, 9/}		4.4	5.4	±0.40	±0.60	±0.20	±0.30
p/33.5	p/34.0	Depends on the shape of the shield		-		-	
q/33.5	q/34.0	p/33.5	p/34.0	±1.20		±0.60	

"

Sheet H15/5, at the end of the last line, delete the quotation mark, to read:

".....

distances of 24.0 mm (24.5 mm for 24 V types) and 26.0 mm.

"

Sheet H16/3, the table, row "Cap:", remove inside borders, to read:

"

Cap:	H16: PGJ19-3	in accordance with IEC Publication 60061 (sheet 7004-110-2)
	H16B: PGJY19-3	in accordance with IEC Publication 60061 (sheet 7004-146-1)

"

Sheet H10W/1, the row "cap", insert IEC sheet numbers according to Revision 5 - Amendment 3 - Corrigendum 1), to read:

"

Cap:	H10W/1	BAU9s	in accordance with IEC Publication 60061 (sheet 7004-150A-1)
	HY10W	BAUZ9s	in accordance with IEC Publication 60061 (sheet 7004-150B-1)

"

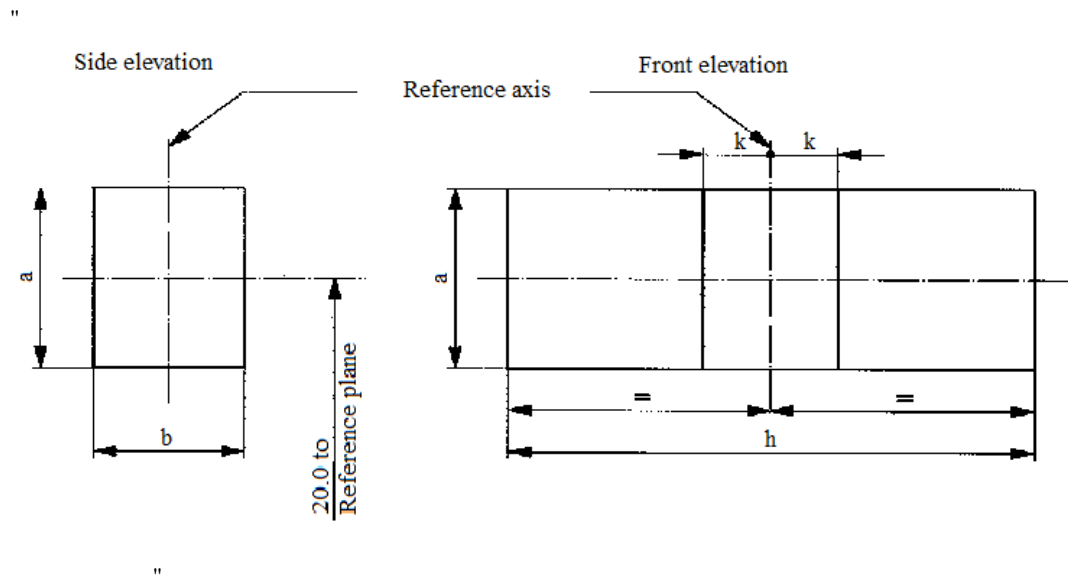
Sheet H21W/1, the table, the last row, lower the line to reveal the reference luminous flux value for "amber: 300 lm", to read:

"....

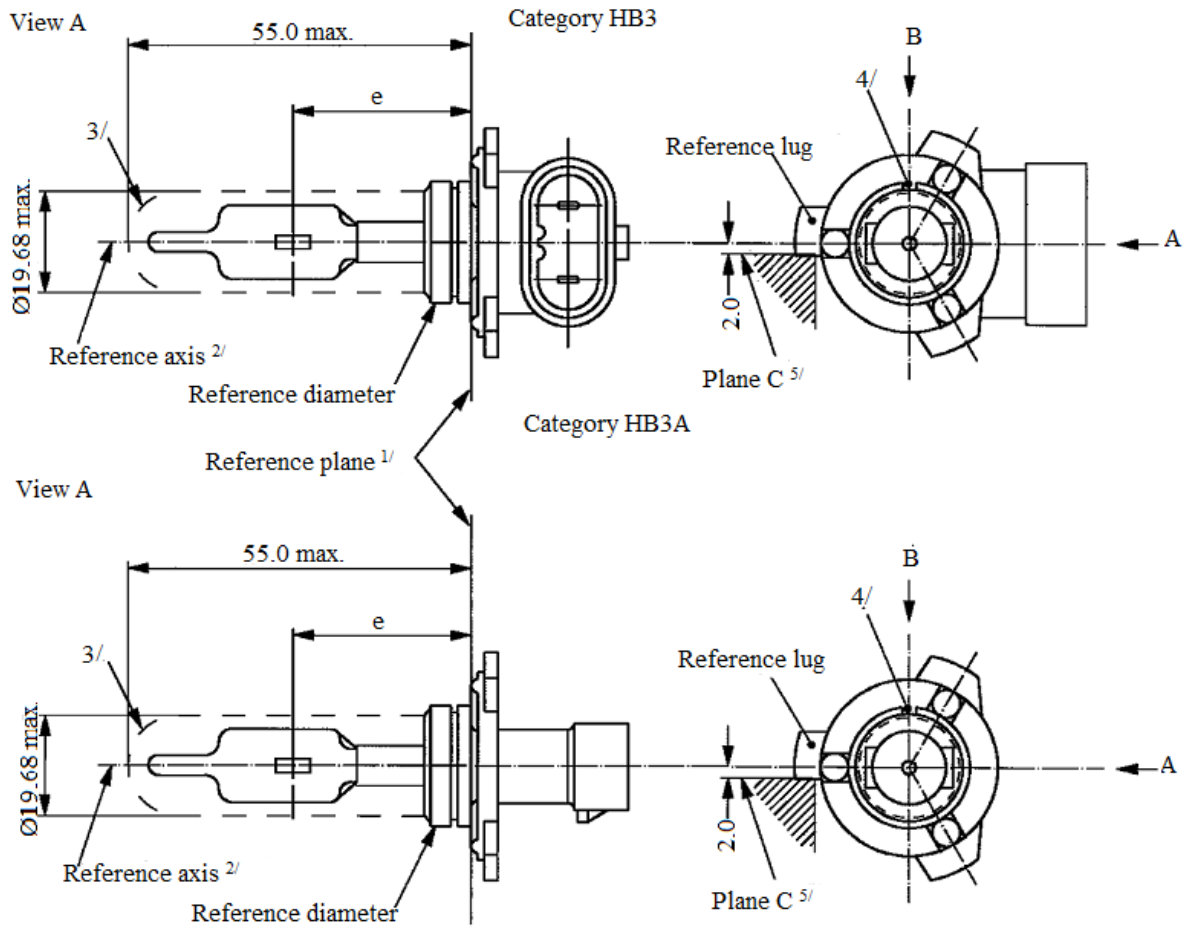
Reference luminous flux at approximately	12 V	White: 415 lm
	13.2 V	White: 560 lm
	13.5 V	White: 600 lm Amber: 300 lm

"

Sheet H21W/2, the drawing, the vertical aligned text, replace "20.2 Reference axis" by "20.0 to Reference plane", as follows:

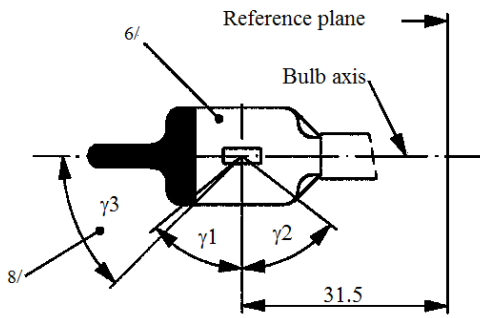


Sheet HB3/1, the drawing bottom/left, insert "View A" into the top left of the drawing, to read:

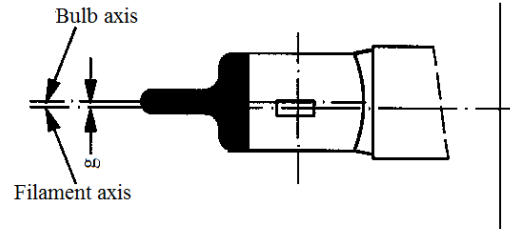


Sheet HB4/2, the note to γ_3 , replace the 2nd note 6/ by note 8/, as follows:

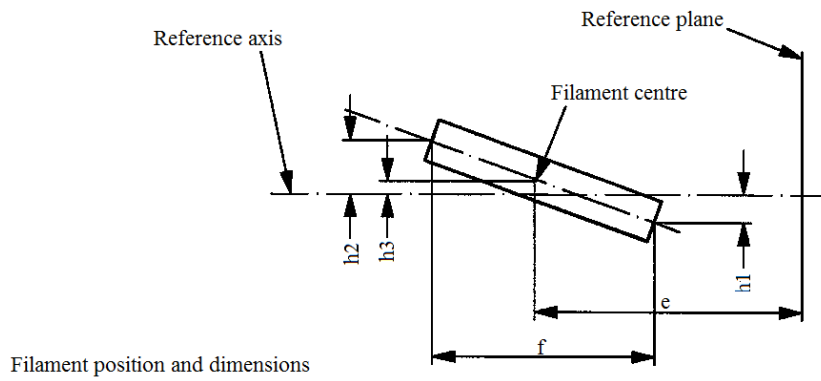
"



Distortion free area 7/ and black top 8/



Bulb eccentricity



Filament position and dimensions

"

Sheet HS1/4, the table, centre the first column and the last two rows and replace "IR" and "IC" by "I_R" and "I_C", as follows:

"

Reference*		Dimensions**		Tolerance		
				Filaments lamps of normal production		Standard filament lamp
6 V	12 V	6 V	12 V	6 V	12 V	12 V
a/26		0.8		±0.35		±0.20
a/25		0.8		±0.55		±0.20
b1/29.5		0		±0.35		±0.20
b1/33		b1/29.5 mv		±0.35		±0.15
b2/29.5		0		±0.35		±0.20
b2/33		b2/29.5 mv		±0.35		±0.15
c/29.5		0.6		±0.35		±0.20
c/31		c/29.5 mv		±0.30		±0.15
d		min. 0.1 / max. 1.5		-		-
e ^{13/}		28.5		+0.45 / -0.25		+0.20 / -0.00
f ^{11/, 12/, 13/}		1.7		+0.50 / -0.30		+0.30 / -0.10
g/26		0		±0.50		±0.30
g/25		0		±0.70		±0.30
h/29.5		0		±0.50		±0.30
h/31		h/29.5 mv		±0.30		±0.20
I _R ^{11/, 14/}		3.5	4.0	±0.80		±0.40
I _C ^{11/, 12/}		3.3	4.5	±0.80		±0.35
p/33		Depends on the shape of the shield		-		-
q/33		(p+q)/2		±0.60		±0.30

"

Sheet HS1/5, Additional explanations, 1, replace "IR" and "IC" by "I_R" and "I_C":

"....

- 1 For dimensions a, b1, c, d, e, f, I_R and I_C;
- 2 For..... "

Sheet P13W/2, the table, fifth row, remove inside borders, as follows:

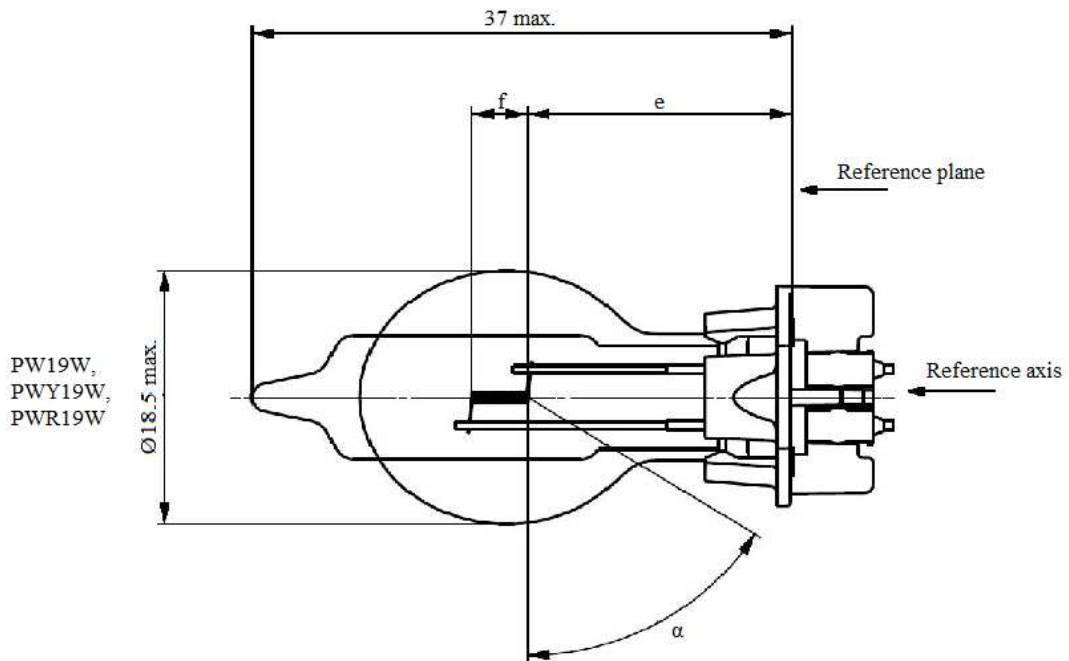
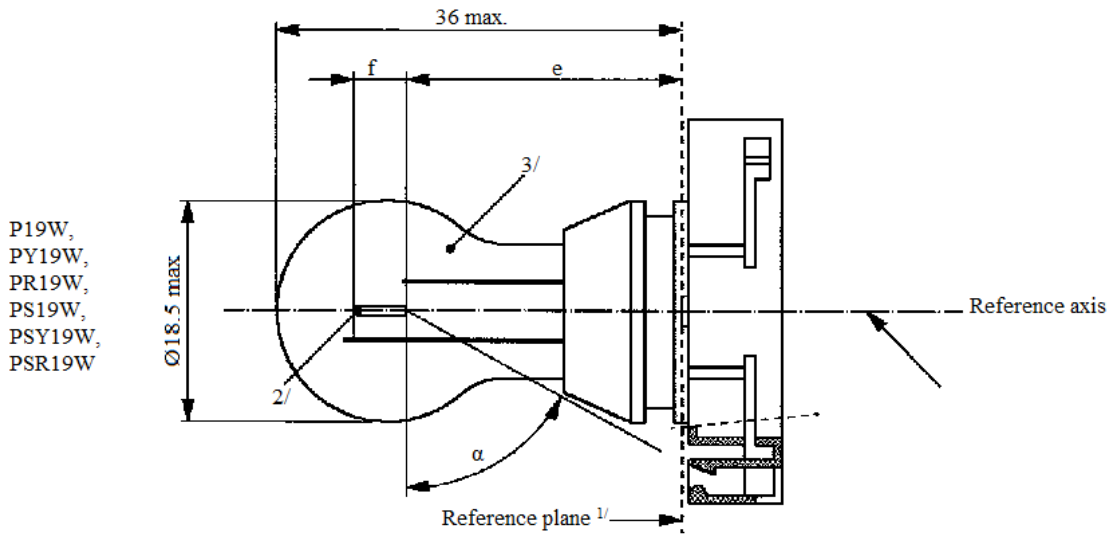
"....

P13W	Cap PG18.5d-1	in accordance with IEC Publication 60061 (sheet 7004-147-1)
PW13W	Cap WP3.3x14.5-7	in accordance with IEC Publication 60061 (sheet 7004-164-1)

...."

Sheet P19W/1, the lower drawing, insert the missing symbol "α", to read:

"



"

Sheet P21/5W/1, the table, row "x, y", replace the reference to footnote 1 by "1/", as follows:

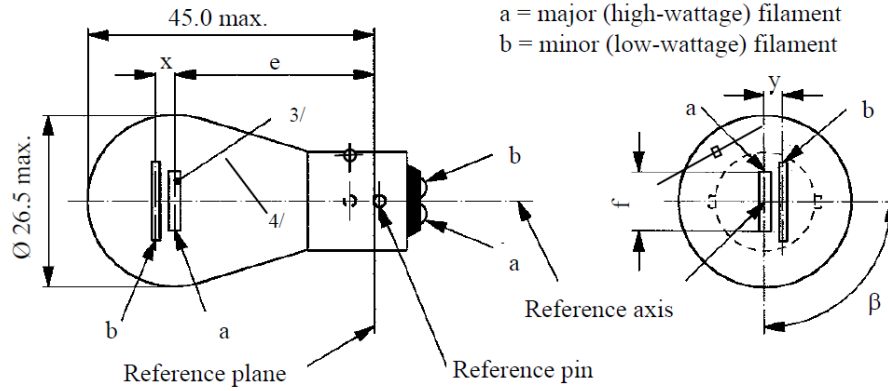
"...

x, y	6, 12 V		1/		2.8 ± 0.3
------	---------	--	----	--	-----------

..."

Sheet PR21/5W/1, the dimension in the drawing left top, replace the value "55.0 max." by "45.0 max" (as in Revision 5 of the Regulation), as follows:

"



"

Sheet PSX26W/2, footnotes, lower the footnotes to reveal the notes 4/ and 5/, as follows:

Dimensions in mm		Filament lamps of normal production	Standard filament lamp	
e ^{5/}		24.0 ^{4/}	24.0 ±0.25	
f ^{5/}		4.2 ^{4/}	4.2 ±0.25	
α ₁ ^{6/}		35.0° min.	35.0° min.	
α ₂ ^{6/}		58.0° min.	58.0° min.	
Cap PG18.5d-3		in accordance with IEC Publication 60061 (sheet 7004-147-1)		
Electrical and photometric characteristics				
Rated values	Voltage	V	12	12
	Wattage	W	26	26
Test voltage		V	13.5	13.5
Objective values	Wattage	W	26 max.	26 max.
	Luminous flux	lm	500	
		±	+10% / -10%	
Reference luminous flux at approximately 12 V				345 lm
Reference luminous flux at approximately 13.2 V				465 lm
Reference luminous flux at approximately 13.5 V				500 lm

^{4/} To be checked by means of a "Box-System"; sheet PSX26W/3.

^{5/} The ends of the filament are defined as the points where, when the viewing direction is perpendicular to the plane through the filament lead-in wires, the projection of the outside of the end turns crosses the filament axis.

^{6/} No part of the cap beyond the reference plane shall interfere with angle α₂ as shown in Figure 1 on sheet PSX26W/1. The bulb shall be optically distortion free within the angles α₁+ α₂. These requirements apply to the whole bulb circumference.

Sheet R5W/1, the table, row Cap, remove inside borders and align "in accordance with..." vertically in the centre, and the sheet numbers in the right cell to the left, as follows:

"...."

Dimensions in mm	Filament lamps of normal production			Standard filament lamp	
	min.	nom.	max.	^{4/}	
e	17.5	19.0	20.5	19.0 ± 0.3	
Lateral deviation ^{2/}			1.5	0.3 max.	
β	60°	90°	120°	90° ± 5°	
Cap: R5W: BA15s RR5W: BAW15s	in accordance with IEC Publication 60061			(sheet 7004-11A-9) ^{1/} (sheet 7004-11E-1)	
Electrical and photometric characteristics					
Rated values	Volts	6 ^{5/}	12	24	12
	Watts	5			5
Test voltage	Volts	6.75	13.5	28.0	13.5
Objective values	Watts	5.5 max.		7.7 max.	5.5 max.
	Luminous flux	R5W	50 ± 20 %		
		RR5W	^{5/}	12 ± 25 %	
Reference luminous flux at approximately 13.5 V:	White:	50 lm			
	Red:	12 lm			

...."

Sheet R10W/1, the table, row Cap, remove inside borders and align "in accordance with..." vertically in the centre, and the sheet numbers in the right cell to the left, as follows:

"...."

Cap: R10W: BA15s		(sheet 7004-11A-9) ^{1/}
RY10W: BAU15s	in accordance with IEC Publication 60061	(sheet 7004-19-2)
RR10W: BAW15s		(sheet 7004-11E-1)

...."

Sheet W21/5W/3, the table, second row, replace the value "905" by "9.5"

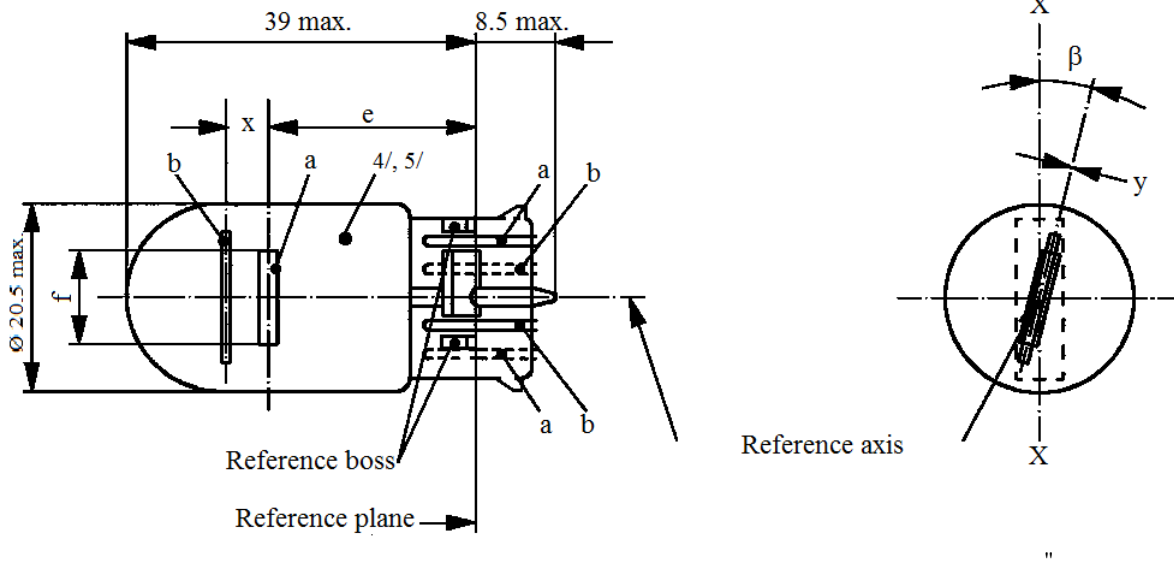
"

Reference	a	h	k
Dimension	3.5	9.5	1.0

"

Sheet WR21/5W/1, the drawing, correct to read:

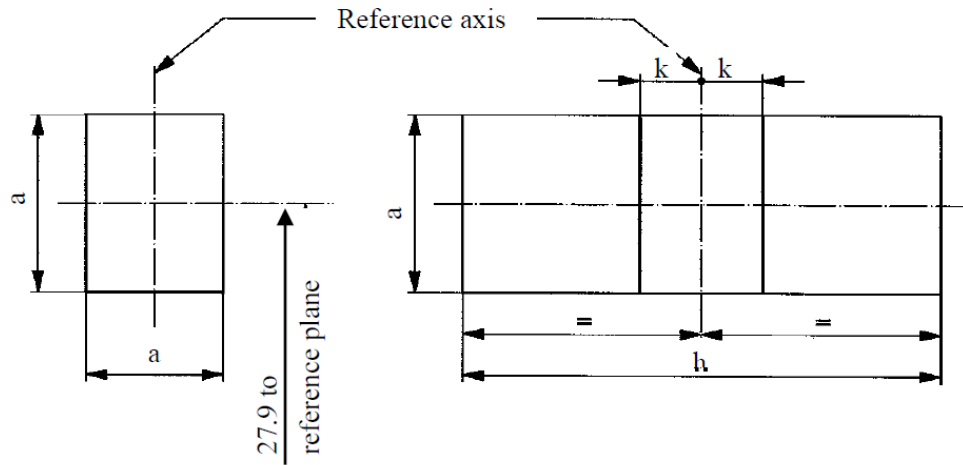
"a = major (high wattage) filament
b = minor (low wattage) filament



Sheet WY21W/2, the drawing, bottom line, left, replace the parameter "a" by "b", to read:

Side elevation

Front elevation



Annex 2,

Item 9, correct the font size of the reference to the footnote 2 to read:

"....

Colour of the light emitted: White/selective-yellow/amber/red²

..."

Annex 7,

Table 3, insert inside border lines, as follows:

"

<i>Number of lamps in records</i>	<i>Qualifying limit</i>	<i>Number of lamps in records</i>	<i>Qualifying limit</i>	<i>Number of lamps in records</i>	<i>Qualifying limit</i>
- 200	21	541 - 553	47	894 - 907	73
201 - 213	22	554 - 567	48	908 - 920	74
214 - 227	23	568 - 580	49	921 - 934	75
228 - 240	24	581 - 594	50	935 - 948	76
241 - 254	25	595 - 608	51	949 - 961	77
255 - 268	26	609 - 621	52	962 - 975	78
269 - 281	27	622 - 635	53	976 - 988	79
282 - 295	28	636 - 648	54	989 - 1,002	80
296 - 308	29	649 - 662	55	1,003 - 1,016	81
309 - 322	30	663 - 676	56	1,017 - 1,029	82
323 - 336	31	677 - 689	57	1,030 - 1,043	83
337 - 349	32	690 - 703	58	1,044 - 1,056	84
350 - 363	33	704 - 716	59	1,057 - 1,070	85
364 - 376	34	717 - 730	60	1,071 - 1,084	86
377 - 390	35	731 - 744	61	1,085 - 1,097	87
391 - 404	36	745 - 757	62	1,098 - 1,111	88
405 - 417	37	758 - 771	63	1,112 - 1,124	89
418 - 431	38	772 - 784	64	1,125 - 1,138	90
432 - 444	39	785 - 798	65	1,139 - 1,152	91
445 - 458	40	799 - 812	66	1,153 - 1,165	92
459 - 472	41	813 - 825	67	1,166 - 1,179	93
473 - 485	42	826 - 839	68	1,180 - 1,192	94
486 - 499	43	840 - 852	69	1,193 - 1,206	95
500 - 512	44	853 - 866	70	1,207 - 1,220	96
513 - 526	45	867 - 880	71	1,221 - 1,233	97
527 - 540	46	881 - 893	72	1,234 - 1,249	98

"

Annex 9,

Table 1, insert inside border lines, as follows:

"....

	1 %**		6.5 %**	
	Accept	Reject	Accept	Reject
First sample size: 125	2	5	11	16
If the number of non-conforming units is greater than 2 (11) and less than 5 (16) take a second sample size of 125 and assess the 250	6	7	26	27

..."
