



**Economic and Social
Council**

Distr.
GENERAL

TRANS/WP.29/1010
16 April 2004

ENGLISH
Original: ENGLISH AND FRENCH

ECONOMIC COMMISSION FOR EUROPE

INLAND TRANSPORT COMMITTEE

World Forum for Harmonization of Vehicle Regulations (WP.29)

SUPPLEMENT 3 TO REGULATION No.106

(Agricultural tyres)

Note: The text reproduced below was adopted by the Administrative Committee (AC.1) of the amended 1958 Agreement at its twenty-sixth session, following the recommendation by WP.29 at its one-hundred-and-thirty-second session. It is based on document TRANS/WP.29/2004/17, as amended (French only) (TRANS/WP.29/992, para. 79).

Paragraph 3.1.7., delete the words "or "F-3""

Paragraph 3.1.8., amend to read:

"3.1.8. the inscriptions "LS-1", "LS-2", "LS-3" or "LS-4" in the case of ..."

Paragraph 3.1.11., should be deleted.

Paragraph 3.1.12. (former), renumber as paragraph 3.1.11.

Annex 5.

Table 1, Note 1., amend to read:

"...to the Tyre sidewalls: "F-1" or "F-2".

Table 2 (2 of 3) Drive wheel tyres for agricultural tractors – Normal Section Sizes, for tyre size designation 14.9-20., replace the value "1265" corresponding to the Overall Diameter (D) column, by "1165".

Annex 7, part B, text., delete the words " or F-3".

Annex 10, the table., insert two new rows to read:

"

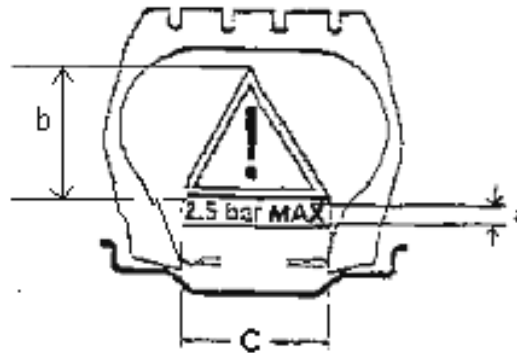
Classification code	Nomenclature
.....
I-6	Agricultural implement tyres : Smooth tread
LS-1	Logging and Forestry Service Tyres : regular tread
LS-2
LS-3
LS-4	Logging and Forestry Service Tyres : shallow tread
.....

"

Annex 11, amend to read:

"Annex 11

EXAMPLE OF THE PICTOGRAM TO BE MARKED ON BOTH TYRE SIDEWALLS
OF THE TYRES TO EXPLICIT THE MAXIMUM INFLATION PRESSURE
NOT TO BE EXCEEDED FOR BEAD SEATING DURING TYRE MOUNTING



- a = 2 mm min (height of lettering)
- b = 12 mm min for tyre section height \leq 120 mm
18 mm min for tyre section height $>$ 120 mm
- c = 14 mm min (width of lettering)

The pictogram must be placed on both sidewalls.

The value of inflation pressure (2.5 bar in the example) must be the same as specified in paragraph 4.1.14. of this Regulation".
