



**Economic and Social
Council**

Distr.
GENERAL

ECE/TRANS/SC.3/2009/4
9 October 2009

ENGLISH
Original: ENGLISH, FRENCH AND
RUSSIAN

ECONOMIC COMMISSION FOR EUROPE

INLAND TRANSPORT COMMITTEE

Working Party on Inland Water Transport

Fifty-third session

Geneva, 4-6 November 2009

Item 5 (a) of the provisional agenda

**STANDARDIZATION OF TECHNICAL AND SAFETY REQUIREMENTS IN INLAND
NAVIGATION**

Amendments to European Code for Inland Waterways

Proposal submitted by the Chairman of the informal working group on
European Code for Inland Waterways

Note by the secretariat

In accordance with the decision of the fifty-second session of the Working Party (ECE/TRANS/SC.3/181, paras. 24-26), the Working Party on the Standardization of Technical and Safety Requirements in Inland Navigation (SC.3/WP.3) has carried out an extensive work in preparing amendments to the European Code for Inland Waterways (CEVNI), based on a comparative analysis of the provisions of CEVNI and the regulations of River Commissions (ECE/TRANS/SC.3/2008/6).

This document contains a list of draft amendments to CEVNI, prepared by the small informal working group on CEVNI in accordance with the decisions adopted by the thirty-fifth session of SC.3/WP.3 (ECE/TRANS/SC.3/WP.3/70, paras. 6-19) and taking into account the final comments from Governments and River Commissions. The text also includes the amendments adopted during the fifty-first and fifty-second sessions of the Working Party on Inland Water

Transport. The official adoption of these amendments has been postponed until the next substantial revision of CEVNI (ECE/TRANS/SC.3/178, paras. 21-24 and ECE/TRANS/SC.3/181, paras. 22-23).

This document is submitted as a draft resolution for the fifty-third session of the Working Party on Inland Water Transport

**ADDITIONS AND AMENDMENTS TO RESOLUTION NO. 24 ON CEVNI:
EUROPEAN CODE FOR INLAND WATERWAYS**

Resolution No. ...

(adopted on ... by the Working Party
on Inland Water Transport)

The Working Party on Inland Water Transport,

Considering resolution No. 24 of the Working Party on Inland Water Transport concerning CEVNI, European Code for Inland Waterways, as amended by its resolutions Nos. 26, 27, 37, 39, 43-47, 54 and 62 (TRANS/SC.3/115/Rev.3),

Bearing in mind the report of the Working Party on the Standardization of Technical and Safety Requirements in Inland Navigation on its thirty-fifth session (ECE/TRANS/SC.3/WP.3/70, paras. 6-19),

Noting the desirability, in the interest of safety in navigation, of taking into account in CEVNI, the latest developments in inland navigation and their consequences for the regulations in force,

Decides to amend the text of CEVNI by the text contained in the annex to this resolution,

Requests Governments and River Commissions to inform the Executive Secretary of the Economic Commission for Europe whether they accept this resolution,

Requests the Executive Secretary of the Economic Commission for Europe to place the question of the application of this resolution periodically on the agenda of the Working Party on Inland Water Transport.

Annex

I. GENERAL AMENDMENTS

1. In all provisions of CEVNI
 - (a) Replace channel with fairway
 - (b) Not applicable to the text in English

II. AMENDMENTS TO THE TEXT OF RESOLUTION NO. 24

2. Amendment to paragraph 1
 - (a) Replace the text in (a) ii) with the following text
Governments may omit, complement or modify certain provisions of Chapters 1-8 of CEVNI, when this is required by the conditions of navigation. The list of such provisions is contained in Chapter 9 on “Regional and National Special Requirements”. In this case, Governments shall report on these differences to the Working Party on Inland Water Transport (SC.3).

III. AMENDMENTS TO CHAPTER 1, “GENERAL PROVISIONS”

3. Amendments to Article 1.01 – Meaning of certain terms
 - (a) Delete footnote 1
 - (b) Amend the definition of “small craft” in paragraph d) as follows
The term “small craft” means any vessel with a hull less than 20 m long **without rudder or bowsprit**, except vessels built or equipped to tow, push or propel **vessels other than small craft** in side-by-side formation ~~vessels other than small craft~~, and **except** craft authorized to carry more than 12 passengers, ~~and~~ ferry-boats **and pushed barges**
 - (c) Delete footnote 2
 - (d) In the definition of “floating establishment” in paragraph f) replace a fixture with stationary
 - (e) Move the text of footnote 3 to the end of the definition of “ferry-boat” in paragraph h) with the following modifications:
~~The competent authorities shall in any case class as “ferry-boats”~~ Vessels providing such a service which do not move independently **shall in any case be classified as “ferry-boats”**.
 - (f) Delete footnote 4
 - (g) At the end of the definition of “pushed convoy” in paragraph m) add
A convoy composed of a pusher and a pushed craft coupled so as to permit guided articulation is also considered as rigid.
 - (h) Delete footnote 5

- (i) Amend the definition of “scintillating light” and “quick scintillating light” in paragraph (t) as follows¹
The terms “scintillating light” and “quick scintillating light” mean rhythmic lights flashing ~~50~~ **40-60** times per minute and 100-120 times per minute
- (j) Amend the definition of “state of intoxication” in paragraph aa) as follows
The term “state of intoxication” means a state occurring as a result of the use of alcohol, narcotics, medicines or other similar substances and determined ~~from the results of laboratory examination or from clinical symptoms~~ in accordance with national legislation and practice
- (k) Amend the definition of “high-speed vessel” in paragraph cc) as follows
The term “high-speed vessel” means a motorized vessel, with the exception of small craft, capable of travelling at a speed greater than 40 km/h in relation to ~~still~~ water ~~when this is stated in its inspection certificate~~
- (l) Delete footnotes 6 and 7
- (m) Add a new entry with the following definition of “waterway”
The term “waterway” means any inland waterway open to navigation;
- (n) Add a new entry with the following definition of “fairway”
The term “fairway” means that part of the waterway that can actually be used by shipping;
- (o) Add a new entry with the following definition of “left and right banks”
The term “left and right banks” means the sides of the waterway when moving from the source to the mouth;
- (p) Add a new entry with the following definition of “upstream and downstream”
The term “upstream” means the direction towards the source of the river, including sections where the current changes with the tide. On canals, the direction shall be determined by the competent authorities and the term “in the direction from point A to point B” shall be used. “Downstream” means the other way around;
- (q) Add a new entry with the following definition of “ADN”
The term “ADN” means ADN means the Regulations annexed to the European Agreement Concerning the International Carriage of Dangerous Goods by Inland Waterways;
- (r) Add a new entry with the following definition of “Passenger vessels”
The term “passenger vessel” means a day-trip or cabin vessel constructed and equipped to carry more than 12 passengers;
- (s) Add a new entry with the following definition of “Navigation by radar”
The term “Navigation by radar” means navigation, in conditions of reduced visibility, using the radar;
- (t) Restructure Article 1.01 by grouping definitions by theme

¹ As endorsed by the fifty-first session of the Working Party on Inland Water Transport (hereafter, SC.3) (ECE/TRANS/SC.3/178, para. 21).

4. Amendments to Article 1.02 – Boatmaster
 - (a) Delete footnote 8
 - (b) Move the content of footnote 9 to Chapter 9
 - (c) Delete footnote 10
 - (d) Delete footnote 11
 - (e) Amend paragraph 2 d) as follows
In a pushed convoy propelled by two pushers side-by-side, the boatmaster of ~~the starboard pusher~~ **the pusher providing the main propulsion** shall be the boatmaster of the convoy
 - (f) Delete footnote 12
 - (g) Amend paragraph 2 (e) as follows
In other cases, the boatmaster of the convoy shall be ~~appointed when required~~ **designated**
 - (h) Delete footnote 13
 - (i) In paragraph 7 switch (a) and (b) places
5. Amendment to Article 1.04 – General obligation to exercise vigilance
 - (a) In paragraph 3 replace The above provisions by Paragraph 2
6. Amendments to Article 1.06 – Use of the waterway
 - (a) Delete footnote 14
7. Amendments to Article 1.07 – Maximum load and maximum number of passengers
 - (a) Amend the title of article as follows
Maximum load, ~~and~~ maximum number of passengers **and view**
 - (b) In paragraph 2 replace abaft with astern and aside
 - (c) Delete footnote 15
 - (d) Add a new paragraph 3 as follows
The load shall not endanger the vessel's stability or strength of the hull
 - (e) Move the current paragraph 3 down as paragraph 5
8. Amendments to Article 1.08 – Construction, rigging and crews of vessels
 - (a) Add a new paragraph 3 as follows
These requirements are considered to be complied with when the ship has a ship's certificate, issued in accordance with the Recommendations on Harmonized Europe-Wide Technical Requirements for Inland Navigation Vessels (Resolution No. 61), or other recognized ship's certificate, and when the construction and the equipment of the vessel correspond to the content of the ship's certificate.

- (b) Add a new paragraph 4 as follows
Without prejudice to paragraph 3, the life-saving devices suitable for passengers mentioned in the ship's certificate shall be available on board of the vessel. Life-saving devices shall be available for distribution to passengers and will correspond to the number of adults and children.

9. Amendments to Article 1.09 – Steering

- (a) Move footnote 16 to Chapter 9 with the following modifications
The competent authorities may prescribe other provisions concerning age **for steering small crafts**
- (b) Delete the last sentence in paragraph 2
- (c) Amend the first sentence in paragraph 4 as follows
When under way, all high-speed vessels shall be steered by a person not younger than 21 years of age ~~holding a diploma certifying that he~~ **who** has the necessary qualifications referred to in article 1.02, paragraph 1 and the certificate referred to in article ~~4.05~~ **4.06**, paragraph 1 (b).

10. Amendments to Article 1.10 – Vessel's papers and other documents

- (a) Amend paragraph 1 as follows
1. ~~Every vessel shall carry~~ **The following documents shall be available on board:**
 - (a) Ship's certificate;
 - (b) A ~~tonnage~~ **measurement** certificate (~~cargo vessels only~~) **if applicable;**
 - (c) Ship's articles or crew list;
 - (d) A ship's log;
 - (e) Boatmaster's ~~license~~ **certificate** or ~~licenses~~ **certificates** belonging to boatmasters of the vessel and for other crew members, a service record duly completedand any other documents relating to navigation required under international conventions or agreements.
- (b) Delete footnote 17
- (c) In the beginning of paragraph 3 add If applicable
- (d) Delete footnote 18
- (e) In paragraph 5 replace Official No. with Official Identification Number
- (f) In the first and last sentences of paragraph 5 replace tonnage certificate with measurement certificate
- (g) Delete footnote 19

11. Amendments to Article 1.11 – Navigation regulations

- (a) Amend the current paragraph of Article 1.11 as follows
1. An updated copy of the navigation regulations applicable to the waterway shall be carried on board of every vessel, except **unmanned** vessels, ~~in a pushed convoy~~

~~other than the pusher, and on every assembly~~ **open small crafts and assemblies** of floating material.

- (b) Delete footnote 20
 - (c) Add a new paragraph 2 as follows
 - 2. An electronic version is acceptable when readable at short notice.
12. Amendments to Article 1.12 – Dangerous objects on board; loss of objects; obstacles
- (a) Replace paragraph 2 with a new paragraph as follows
Anchors shall be in the fully raised position unless they are used.
13. Amendments to Article 1.13 – Protection of waterway signs and markings
- (a) In paragraph 1 replace boards, buoys, floats, beacons, etc. with such as boards, buoys, floats, beacons
 - (b) In paragraph 3 replace failure of a light, displacement of a buoy, destruction of a sign, etc. with such as failure of a light, displacement of a buoy, destruction of a sign
14. Amendments to Article 1.14 – Damage to permanent structures
- (a) Replace lock, bridge, etc. with such as lock, bridge
15. Amendments to Article 1.16 – Salvage and assistance
- (a) In paragraph 1 replace those with persons
16. Amendments to Article 1.20 – Inspection
- (a) Add a new paragraph 2 as follows
 - 2. Authorized officials of the competent authorities may, except in special cases when the provisions of other legislation are applied, by means of a special decision prohibit the navigation of a vessel and, in particularly, in the following cases:
 - (a) When the vessel does not have a ship's certificate or national navigation permit or these documents have expired;
 - (b) When the vessel does not comply with the conditions referred to in Article 1.07;
 - (c) When the crew or the vessel does not comply with the conditions referred to in Article 1.08;
 - (d) When the capabilities of the boatmaster or on-duty crew members have been diminished due to a state of fatigue or intoxication.

IV. AMENDMENTS TO CHAPTER 2, "MARKS AND DRAUGHT SCALES ON VESSELS; TONNAGE MEASUREMENT"

17. Amendments to Article 2.01 – Identification marks on vessels other than small craft
- (a) At the end of the title of the article add and seagoing vessels
 - (b) In paragraph 1 after small craft add and seagoing vessels

- (c) Amend the first sentence in paragraph 1 a) as follows
The name shall be inscribed on both sides of the vessel; ~~in the case of motorized vessels,~~ **except for the pushed barges**, it shall also be inscribed in a position visible from astern.
 - (d) In paragraph 1 add a new entry (c) as follows
 - (c) Its official identification number
The official identification number shall be inscribed in accordance with the instructions given in point (a).
 - e) Not applicable to the text in English
18. Amendments to Article 2. 02 – Identification marks on small craft
- (a) Delete footnote 21
19. Amendments to Article 2. 04 – Draught marks and draught scales
- (a) In paragraph 1 replace the Recommendations on Technical Requirements for Inland Navigation Vessels (annex to Resolution No. 17, revised) with the Recommendations on Harmonized Europe-Wide Technical Requirements for Inland Navigation Vessels (Resolution No. 61)
 - (b) In paragraph 2 after water add except for small craft
 - (c) Delete footnote 22
- V. AMENDMENTS TO CHAPTER 3 “VISUAL SIGNALS (MARKING) ON VESSELS”**
20. Amendments to Article 3.01 – Application and definitions
- (a) Delete paragraph 1
 - (b) Delete paragraph 3
 - (c) Renumber the paragraphs accordingly
 - (d) Amend the sentence in paragraph 5 (e) as follows
The term “height” means the height above the level of the **maximum** draught marks or, for vessels without draught marks (4), above the ~~hull~~ waterline.
21. Amendments to Article 3.04 – Cylinders, balls, cones and bicones
- (a) Add a new paragraph 4 as follows
4. Notwithstanding paragraph 3, for small craft the use of signal body with smaller dimension is permitted, as long as these bodies are large enough to be easily visible.
22. Amendments to Article 3.08 – Marking for motorized vessels proceeding alone
- (a) Add a second sentence in provision 1 (a) as follows
The height may be reduced to 4 m, when the vessel does not exceed a length of 40 m.

- (b) Delete footnote 24
 - (c) Amend provision 1 (b) as follows
Side lights, each placed at the same height and on the same perpendicular to the axis of the vessel, 1 m lower than the masthead light, ~~not forward of it~~ **at least 1 m abaft of it on the widest part of the ship**; they shall be screened inboard so that the green light cannot be seen from the port side and the red light cannot be seen from the starboard side;
 - (d) At the end of paragraph 1 (c) delete high enough to be clearly visible to an overtaking vessel
 - (e) Delete footnote 25
 - (f) Delete the last sentence in paragraph 3
23. Amendments to Article 3.09 – Marking for towed convoys under way
- (a) Amend paragraph 1 (a) as follows
Two masthead lights one above the other about 1 m apart, placed forward and in the axis of the vessel, the upper light being ~~at least 5 m higher~~ **at a height of, at least, 5 meters** and the lower light, so far as possible, at least 1 m higher than the side lights;
 - (b) Delete footnote 26
 - (c) Delete footnote 27
24. Amendments to Article 3.10 – Marking for pushed convoys under way
- (a) Delete footnote 28
 - (b) Delete footnote 29
 - (c) Delete footnote 30
 - (d) Amend paragraph 4 as follows
4. Pushed convoys with two pushers in side-by-side formation shall carry by night the stern lights prescribed in paragraph 1 (c) (i) on the pusher ~~at the starboard side~~ **providing the main propulsion**, the other pusher shall carry the stern light prescribed in paragraph 1 (c) (ii) above.
 - (e) Delete footnote 31
 - (f) Add a new paragraph 5 as follows
For the application of this chapter, pushed convoys whose maximum dimensions do not exceed 110 m by 12 m are regarded as single motorized vessels
25. Amendments to Article 3.12 – Marking for sailing vessels under way
- (a) Delete footnote 32
26. Amendments to Article 3.13 – Marking for small craft under way
- (a) Delete footnote 33

- (b) Delete footnote 34
 - (c) Delete footnote 35
27. Amendments to Article 3.14 – Additional marking for vessels carrying out certain transport operations involving dangerous substances
- (a) Delete footnote 36
 - (b) Delete footnote 37
 - (c) Paragraph 1
 - (i) Replace referred to in paragraph 7.1.5.0 or paragraph 7.2.5.0 of ADN with in accordance with the requirements of sub-section 7.1.5.0 or sub-section 7.2.5.0 of ADN²
 - (ii) After downwards add , as indicated in ADN, Chapter 3.2, Table A, column (12) or Table C, column (19)³
 - (iii) Delete above the draught markings
 - (d) Paragraph 2
 - (i) Replace referred to in paragraph 7.1.5.0 or paragraph 7.2.5.0 of ADN with in accordance with the requirements of sub-section 7.1.5.0 or sub-section 7.2.5.0 of ADN⁴
 - (ii) After downwards add , as indicated in ADN, Chapter 3.2, Table A, column (12) or Table C, column (19)⁵
 - (iii) Delete above the draught markings
 - (e) Paragraph 3
 - (i) Replace referred to in paragraph 7.1.5.0 or paragraph 7.2.5.0 of ADN with in accordance with the requirements of sub-section 7.1.5.0 or sub-section 7.2.5.0 of ADN⁶
 - (ii) After downwards add , as indicated in ADN, Chapter 3.2, Table A, column (12)
 - (d) Paragraph 7⁷
 - (f) Paragraph 7⁸
 - (i) Replace paragraph 8.1.8 with section 8.1.8 or a provisional certificate in accordance with section 8.1.9

² As endorsed by the fifty-second session of SC.3 (ECE/TRANS/SC.3/181, paras. 22-23).

³ As endorsed by the fifty-second session of SC.3 (ECE/TRANS/SC.3/181, paras. 22-23).

⁴ As endorsed by the fifty-second session of SC.3 (ECE/TRANS/SC.3/181, paras. 22-23).

⁵ As endorsed by the fifty-second session of SC.3 (ECE/TRANS/SC.3/181, paras. 22-23).

⁶ As endorsed by the fifty-second session of SC.3 (ECE/TRANS/SC.3/181, paras. 22-23).

⁷ As endorsed by the fifty-second session of SC.3 (ECE/TRANS/SC.3/181, paras. 22-23).

⁸ As endorsed by the fifty-second session of SC.3 (ECE/TRANS/SC.3/181, paras. 22-23).

28. Amendments to Article 3.15 – Marking of vessels authorized to carry more than 12 passengers with a hull length of not more than 20 m
- (a) Amend the title as follows
Marking of vessels authorized to carry more than 12 passengers with a hull length of ~~not more~~ **less** than 20 m
 - (b) Delete footnote 38
 - (c) Amend the beginning of article 3.15 as follows
Vessels authorized to carry more than 12 passengers with a ~~maximum~~ hull length of ~~not more than 20 m~~ **of less than 20 m**
29. Amendments to Article 3.16 – Marking for ferry boats under way
- (a) Delete footnote 39
 - (b) Amend the end of the sentence in paragraph 1 (a) as follows
this height may, however, be reduced if the ferry boat is ~~not more than 15 m long~~ **of a length of less than 20 m**
 - (c) Delete footnote 40
 - (d) Delete footnote 41
 - (e) Delete paragraph 4
30. Amendments to Article 3.20 – Marking for stationary vessels
- (a) Delete footnote 42
 - (b) Amend paragraph 1 as follows
1. ~~A vessel directly or indirectly made fast to the bank~~ **All stationary vessels except the vessels listed in Articles 3.22 and 3.25 shall carry:**
By night:
~~On the channel side and at a height of at least 3 m,~~ an ordinary white light visible from all directions **and at a height of at least 3 m.**
This light may be replaced by an ordinary white light at the bow and an ordinary white light at the stern, positioned at the same height on the channel side and visible from all directions.
By day:
Only vessels stationary offshore, without direct or indirect access to the bank, a black ball in a suitable position forward and high enough to be visible from all directions.
 - (c) Delete paragraph 2 and renumber the paragraphs accordingly
 - (d) Amend paragraph 3 as follows
A ~~pushed~~ convoy stationary offshore (without direct or indirect access to the shore) shall carry:

By night:

On each vessel of the formation an ordinary white light visible from all directions, in a suitable position and at a height of at least 4 m. The total number of lights marking the barges shall not exceed four, provided that the outlines of the convoy are clearly marked;

By day:

A black ball ~~on the pusher (or on each pusher) and~~ on the leading vessel of the convoy or on the outermost vessels leading the convoy **and on the pusher, if applicable.**

(e) Delete paragraph 6

31. Amendments to Article 3.23 – Marking for assemblies of floating material and floating establishments when stationary

(a) Replace 3.20, paragraph 5 with 3.20, paragraph 4

32. Amendments to Article 3.25 – Marking for floating equipment at work and for grounded or sunken vessels

(a) Amend paragraph 1 a) as follows

Floating equipment at work and stationary vessels carrying out work or sounding or measuring operations shall carry:

a. On the side or sides on which the channel is clear:

By night:

Two ordinary green lights or two bright green lights, **positioned at a height of about 1 m one above each other;**

By day:

Two green bicones, one placed about 1 m above the other; and, as appropriate;

33. Amendments to Article 3.26 – Marking for anchors that may be a danger to navigation

(a) Delete footnote 43

(b) Add a new paragraph 3 as follows

When the cables or anchor chains of floating equipment may be a danger to navigation, they shall be marked.

By night:

By a float with a radar reflector bearing an ordinary white light visible from all directions;

By day:

By a yellow float with a radar reflector.

34. Amendments to Article 3.27 – Additional marking for vessels of the supervising authorities and fire fighting services
- (a) Amend the title as follows
Additional marking for vessels of the supervising authorities and fire fighting ~~services~~ **and rescue vessels**
 - (b) Amend the last sentence of the article as follows
With permission of a competent authority, this shall apply also to fire fighting vessels **and rescue** vessels when on their way to bring assistance.
 - (c) Delete footnote 44
35. Amendments to Article 3.28 – Additional marking for vessels under way carrying out work in the waterway
- (a) Delete footnote 45
36. Amendments to Article 3.30 – **Distress sign**
- (a) Switch (b) and (c) places
 - (b) In paragraph 2 replace article 4.01, paragraph 4 with article 4.04
37. Amendments to Article 3.35 – Additional marking for vessels engaged in fishing
- (a) Delete footnote 46

VI. AMENDMENTS TO CHAPTER 4, “SOUND SIGNALS ON VESSELS - RADIOTELEPHONY”

38. Amendment to the title of Chapter 4
- (e) Amend the title of chapter 4 as follows Sound signals ~~on vessels~~; radiotelephony; **navigation devices**
39. Amendments to Article 4.01 – General
- (a) In paragraph 2 delete (Class I)
 - (b) Delete footnote 47
 - (c) Delete footnote 48
 - (d) Delete footnote 49
 - (e) Delete paragraph 4
 - (f) Delete paragraph 5
 - (g) Renumber the paragraphs accordingly

40. New article 4.04 – Distress signals
- (a) Add a new article 4.04 entitled “Distress signals”
Article 4.04 – Distress signals
 - 1. When a vessel in distress needs assistance, it may ring a bell or sound repeated long blasts.
 - 2. Such signals may replace or supplement the visual signals referred to in article 3.30.
41. Amendments to Article 4.04 – Radiotelephony
- (a) Renumber article 4.04 as 4.05
 - (b) Delete footnote 51
 - (c) Delete footnote 52
 - (d) In paragraph 2 replace ferries by ferry-boats
 - (e) At the end of paragraph 4 add and the sections determined by the competent authorities
42. Amendments to Article 4.05 – Radar
- (a) Renumber Article 4.05 as Article 4.06
 - (b) Amend paragraph 1 as follows
 - (i) In the beginning of the first sentence replace or with and ²
 - (ii) In the first sentence of subparagraph a) replace if necessary with if appropriate
 - (iii) In the last sentence replace 4.04 with 4.05
 - (c) Amend paragraph 2 as follows
In ~~pushed, towed convoys and side by side formations~~, the requirements of paragraph 1 above shall apply only to the vessel carrying the boatmaster ~~of the convoy or formation~~.
 - (d) Delete footnote 53 and add an entry in Chapter 9 with the following content
With respect to Article 4.06, the competent authorities may allow on certain inland waterways high-speed vessels to operate in daytime and at a visibility of 1km and more without being fitted with radar equipment and a rate-of-turn indicator.
43. New article 4.07 – Inland Automatic Identification System Equipment
- (a) Add a new article 4.07 as follows
Article 4.07 – Inland Automatic Identification System Equipment
 - 1. Vessels, except for sea-going vessels, cannot use an automatic identification system (AIS) unless they possess an Inland AIS device in accordance with the requirements of the competent authorities. The device must be in a good working condition. Small craft using inland AIS must, in addition, be equipped with a radiotelephone installation in proper working order for the ship--ship channel.

² As endorsed by the fifty-second session of SC.3 (ECE/TRANS/SC.3/181, paras. 22-23).

2. Vessels are authorized to use AIS only if the parameters entered in the AIS device correspond at all times to the actual parameters of the vessel.

VII. AMENDMENTS TO CHAPTER 5, “WATERWAY SIGNS AND MARKING”

44. Amendments to Article 5.01– Signs

- (a) Amend paragraph 1 as follows
Annex 7 to these regulations sets out the prohibitory, mandatory, restrictive, recommendatory and informative signs and auxiliary signs for inland waterways **which are installed by the competent authorities to ensure safety and order of navigation**
- (b) Delete footnote 54
- (c) Delete footnote 55

45. New Article 5.03 – Use of signs and markings

- (a) Add a new article 5.03 as follows
Article 5.03 – Use of signs and markings
1. The competent authorities are not required to use all the signs which are included in Annexes 7 and 8 and may omit the signs and markings that they do not use from their regulations.
2. In the absence of signs and markings, boatmasters and persons in charge of floating establishments shall take all the precautions required by the general obligation to exercise vigilance in accordance with Article 1.04.

VIII. AMENDMENTS TO CHAPTER 6, “RULES OF THE ROAD”

46. Amendments to Article 6.01 – Application and definitions

- (a) Delete paragraph 1
- (b) Delete paragraph 2

47. Amendments to Article 6.03 – General principles

- (a) In paragraph 1 replace crossing with meeting
- (b) In paragraph 2 replace 6.05 with 6.10
- (c) Delete paragraph 4
- (d) Add a new paragraph 4 as follows
4. A boatmaster seeing any danger of collision shall sound a series of very short blasts.

48. Amendments to Article 6.04 – Meeting: Normal rules

- (a) Delete the second column (Class II)

- (b) Add a new paragraph 1 (and renumber the paragraphs accordingly)
When two vessels are meeting and there may be a risk of collision, each vessel shall veer to starboard so as to pass on the port side of the other. This rule does not apply to small craft in relation to other vessels
 - (c) Replace the text in paragraph 7 with the following text
When two small craft are meeting and there may be a risk of collision, each vessel shall veer to starboard so as to pass on the port side of the other.
49. Amendments to Article 6.05 – Meeting: Departures from normal rules
- (a) Delete the second column (Class II)
 - (b) Add a new paragraph 1 (and renumber the paragraphs accordingly)
By derogation from the normal rule set out in article 6.04, vessels may in exceptional cases, and if certain that their request can be safely met, ask to pass starboard to starboard.
 - (c) Amend the wording and the structure of the former paragraph 1 as follows
By derogation from the provisions of article 6.04, ~~vessels or towed convoys in one of the following categories:~~
 - (a) Passenger vessels providing a regular service and whose authorized maximum passenger capacity is not below a number prescribed by the competent authority, when proceeding downstream and wishing to call at a landing-stage on the side used by vessels proceeding upstream; and
 - (b) Towed convoys proceeding downstream which wish to keep close to a particular bank in order to turn upstream
have the right to ask vessels proceeding upstream to change the course left clear for them in accordance with article 6.04 above if that course does not suit them.
However, they may not so ask unless certain that their request can be safely met.
50. Amendments to Article 6.06 – Meeting boats towed from the bank
- (a) Replace the current article 6.06 with the following article
Article 6.06 - Meeting: high speed vessels.
The provisions referred to in article 6.04 and 6.05 shall not apply in the event of a meeting between high-speed vessels and between a high-speed vessel and any other vessel. However, high-speed vessels shall agree on their meeting using radiotelephony.
51. Amendments to Article 6.07 - Meeting in narrow channels
- (a) In paragraph 2 delete A boatmaster seeing any danger of collision shall sound a series of very short blasts
52. Amendments to Article 6.08 – Meeting prohibited by waterway signs
- (a) Delete paragraph 3 and add a relevant entry in Chapter 9

53. Amendments to Article 6.10 – Overtaking
- (a) In paragraph 1 replace the second sentence with
When overtaking is possible without danger of a collision, the overtaking vessel is allowed to pass also on starboard side of the vessel being overtaken.
 - (b) Move the current paragraph 3 at the end of paragraph 1
 - (c) Put the current paragraph 2 as paragraph 6
 - (d) Renumber the current paragraph 4 as paragraph 2
 - (e) Renumber the current paragraph 5 as paragraph 3
 - (f) Renumber the current paragraph 6 as paragraph 4
 - (g) Renumber the current paragraph 7 as paragraph 5
 - (h) Renumber the current paragraph 8 as paragraph 7
 - (i) In the new paragraph 7 replace 4 to 7 with 2 to 6
 - (j) Delete footnote 63
54. Amendments to Article 6.12 – Navigation on sections where the course is prescribed
- (a) Delete footnote 64
55. Amendments to Article 6.16 – Harbours and tributary waterways: entering and leaving; leaving followed by crossing the waterway
- (a) In paragraph 2 after course, or speed, vessels add except ferry-boats.
56. Amendments to Article 6.17 – Sailing abreast
- (a) In the title of the article add and prohibition to approach vessels.
57. Amendments to Article 6.19 – Drifting
- (a) In paragraph 1 at the end of the first sentence add prohibited without permission from the competent authorities
 - (b) In paragraph 1 delete the second sentence
58. Amendments to Article 6.21 – Convoy
- (a) In paragraph 3 at the beginning add
Motorized vessels may not, except for rescue or assistance to a vessel in distress, be used for towing, pushing or propelling a side-by-side formation, unless such a use is allowed in their ship's certificate.
 - (b) Delete footnote 65

59. Amendments to Article 6.21 bis – Relocation of pushed barges outside a pushed convoy
- (a) Add a new provision (c) as follows
Being coupled side-by-side with vessel which has a steering device and a sufficient crew.
 - (b) Add the preposition or between paragraphs (a), (b) and (c)
60. Amendments to Article 6.23 – Rules applicable to ferry-boats
- (a) Delete footnote 66
61. Amendments to Article 6.25 – Passage under fixed bridges
- (a) In paragraph 1 replace bays with openings
 - (b) At the end of paragraph 2 add In this case, the entrance of the other side is marked with the sign A.1 (Annex 7).
62. Amendments to Article 6.26 – Passage under movable bridges
- (a) In the title and in the text of the article replace passage under movable bridges with passage through movable bridges
 - (b) At the end of paragraph 1 add a new sentence as follows
The boatmaster of a vessel shall announce his intention to navigate through the bridge to the bridge operators by means of a long blast or radiotelephone.
 - (c) Add a new paragraph 6 as follows
The bridge operator is obliged to have on or near the bridge a radiotelephone device corresponding to the provisions of Article 4.05. For the entire duration of the navigation through the bridge, the radiotelephone device must remain switched on.
63. Amendments to Article 6.27 – Passage through weirs
- (a) Delete paragraph 1
 - (b) Delete paragraph 4
 - (c) Renumber paragraph 3 as paragraph 1
64. Amendments to Article 6.28 – Passage through locks
- (a) Delete footnote 67
65. Amendments to Article 6.30 – General rules for navigation in reduced visibility; use of radar
- (a) Replace the text in paragraph 1 with the following text
In reduced visibility, all vessels shall navigate by radar
 - (b) Amend paragraph 2 as follows
Vessels under way in reduced visibility shall proceed at a safe speed as required by the reduced visibility and the presence and movements of other vessels and local circumstances. ~~The radiotelephone installation shall be placed on listening watch on~~

~~the channel allocated to the ship-to-ship network and~~ They shall use the radiotelephone to give other vessels the necessary information for safety of navigation. **Small vessels under way in reduced visibility shall use ship--ship channel or the channel prescribed by the competent authorities.**

- (c) Delete footnote 68
 - (d) In paragraph 4 replace 3, 4 and 5 (Class I) with 4, 5 and 6
 - (e) Add a new paragraph 5 as follows
Towed convoys shall immediately proceed to the nearest safe berthing or anchoring areas, if a communication with visual sign, between the towed vessel and the motorized vessel, is not possible. For towed convoys proceeding downstream, navigation by radar is prohibited except for reaching the nearest safe berthing or anchoring areas. For such towed convoys provisions of the Article 6.33 are applicable.
66. Amendments to Article 6.31 – Sound signals when stationary
- (a) Delete the second column (Class II)
 - (b) In paragraph 1 replace ship-to-ship network with ship--ship channel
 - (c) Move the current paragraph 2 at the end of paragraph 1
 - (d) Move paragraph 3 to paragraph 2 and replace provisions of paragraphs 1 and 2 with provisions of paragraph 1
 - (e) Renumber paragraph 5 as paragraph 3
67. Amendments to Article 6.32 – Navigation by radar
- (a) Delete the second column (Class II)
 - (b) Move the definition in paragraph 1 to Article 1.01 amended as follows
Navigation by radar - navigation, in conditions of reduced visibility, using the radar
 - (c) Delete paragraph 1
 - (d) In paragraph 2 replace diploma with certificate
 - (e) In paragraph 2 replace 4.05 with 4.06
 - (f) In paragraph 2 amend the last sentence as follows
However if the wheelhouse is designed for radar navigation by one person, it is sufficient that the second person can, if necessary, be summoned to the wheelhouse immediately.
 - (g) Renumber paragraph 2 as paragraph 1
 - (h) Renumber the following paragraphs
 - (i) Delete footnote 70
 - (j) Amend the old paragraph 7 as follows
In convoys ~~and side-by-side formations~~, the requirements of paragraphs 1-6 above shall apply only to the vessel carrying the boatmaster of the convoy ~~or formation~~.

68. Amendments to Article 6.33 – Provisions for vessels not navigating by radar
- (a) Delete the second column (Class II)
 - (b) In paragraph 1 amend the first sentence as follows
In reduced visibility, vessels and convoys ~~unable to use radar~~ not navigating by radar shall immediately proceed to the nearest safe ~~berth~~ **berthing or anchoring areas.**
 - (c) Delete footnote 71
 - (d) Renumber second (b) and (c) as, respectively, (c) and (d)
 - (e) Add a new paragraph 2 as follows
2. Ferry-boats not navigating by radar shall, instead of the signal prescribed in paragraph 1 above, give as a fog-signal one long blast followed by four short blasts; this signal shall be repeated at intervals of not more than one minute.
69. Amendments to Article 6.34 – Special priorities
- (a) Amend paragraph 1 as follows
 - 1. When meeting or crossing the course of:
 - (a) A vessel showing the marking referred to in article 3.34;
 - (b) A vessel showing the marking referred to in article 3.35; ~~other vessels shall give way.~~
other vessels shall give way.
70. Amendments to Article 6.35 – Water skiing and similar activities
- (a) At the end of paragraph 1 add the following sentence
The competent authorities may mark the sections in which such activities are permitted or prohibited
 - (b) Delete footnote 72
 - (c) Delete footnote 73
71. Amendments to Article 6.36 – Conduct of, and in respect of, fishing vessels
- (a) In paragraph 1 replace Trolling with Trawling
 - (b) Add a new paragraph 2 (and renumber the paragraphs accordingly)
Setting of fishing equipment in or near a fairway and on berthing areas is not permitted.
 - (c) Delete footnote 74
72. Amendments to Article 6.37 – Conduct of, and in respect of, underwater divers for sport
- (a) Amend the title as follows
Conduct of, and in respect of, underwater divers ~~for sport~~

- (b) Amend the paragraph 1 as follows
Underwater diving ~~for sport~~ shall be prohibited, **without a special permission**, in areas where navigation might be hindered, particularly:
 - (a) On the normal course of vessels showing the marking referred to in article 3.16;
 - (b) At entrances to **and in** harbours;
 - (c) Near **and on** berthing areas;
 - (d) In areas reserved for water skiing or similar activities;
 - (e) **On fairways**;
 - (f) **In ports**.
- (c) Delete footnote 75

IX. AMENDMENTS TO CHAPTER 7, “BERTHING RULES”

73. Amendments to Article 7.02 – Berthing

- (a) At the end of entry (f) in paragraph 1, add and ports
- (b) At the end of paragraph 1, add a new entry (l) as follows
Unless permitted by the competent authorities, in lock basins.

74. Amendments to Article 7.07 – Berthing in the vicinity of vessels, pushed convoys and side-by-side formations carrying out certain transport operations involving dangerous substances

- (a) Amend the title of the article as follows
~~Berthing in the vicinity of vessels, pushed convoys and side-by-side formations carrying out certain~~ **case of** transport operations involving dangerous substances

75. Amendments to Article 7.08 – Watch and surveillance

- (a) Add a new paragraph 1
An efficient watch shall be kept continuously on board of vessels lying in the fairway and on board of stationary tank vessels carrying dangerous substances
- (b) Renumber the current paragraph 1 as paragraph 2
- (c) Add a new paragraph 3
An efficient watch shall be kept continuously on board of passenger vessels carrying passengers
- (d) Renumber the current paragraph 2 as paragraph 4
- (e) Renumber the current paragraph 3 as paragraph 5

X. AMENDMENTS TO CHAPTER 8, “TRANSPORT OF DANGEROUS GOODS”

76. Amendments to the title of Chapter 8

- (c) Amend the title of the chapter as follows “SIGNALLING AND REPORTING REQUIREMENTS”

77. Amendments to Article 8.02 – Reporting requirements

(a) Amend paragraph 1 as follows

1. Boatmasters of the **following** vessels and convoys ~~carrying dangerous goods in accordance with the provisions of ADN~~ shall, prior to entering the sectors, traffic control posts, traffic centres and locks indicated by the competent authority, eventually by B.11 signs (annex 7), report their presence on the indicated radiotelephone channel ~~and communicate the following data:~~

- (a) **Vessels and convoys carrying dangerous goods in accordance with the provisions of ADN;**
- (b) **Vessels transporting more than 20 containers;**
- (c) **Passenger vessels except for day-trip vessels;**
- (d) **Seagoing vessels;**
- (e) **Special transport referred to in article 1.21;**
- (f) **Other vessels and convoys as required by the competent authorities.**

2. **The boatmasters mentioned in paragraph 1 shall communicate the following data:**

- (a) category of vessel;
- (b) name of vessel;
- (c) position, direction of navigation (~~if applicable~~);
- (d) official number of vessel; for seagoing vessels: IMO number;
- (e) **maximum load; for seagoing vessels: deadweight tonnage** (~~maximum load~~);
- (f) length and breadth of vessel;
- (g) type, length and breadth of convoy;
- (h) draught (only on special request);
- (i) route;
- (j) loading port;
- (k) unloading port;
- (l) nature and quantity of cargo (for dangerous goods: ~~name of substance and, where appropriate, class, and UN number as required under 5.4.1.1.1 (a), (b), (c), (d) and (f) and 5.4.1.2.1 (a) of the Regulations annexed to ADN for carriage in bulk or in packages, or 5.4.1.1.2 (a), (b), (c), (d) and (e) of the Regulations annexed to ADN for carriage in tank-vessels~~);
- (m) signalization required for the carriage of dangerous goods;
- (n) number of persons on board;
- (o) **number of containers on board.**

(b) Renumber the remaining paragraphs accordingly

(c) In the old paragraph 2 (new paragraph 3), after by telephone insert or if possible electronically

(d) In the old paragraph 5 (new paragraph 6), amend the first sentence as follows ~~These data are confidential and~~ The competent authority shall not transmit ~~them~~ **these data** to third parties.

XI. AMENDMENTS TO CHAPTER 9, “PREVENTION OF POLLUTION OF WATER AND DISPOSAL OF WASTE OCCURRING ON BOARD VESSELS”

78. General amendment

- (a) Move Chapter 9 to Chapter 10 and renumber and the references to the articles accordingly

79. Amendments to Article 9.01 – Definitions

- (a) In paragraph 1(b) replace in accordance with the European Agreement Concerning the International Carriage of Dangerous Goods by Inland Waterways (ADN) with in accordance with ADN¹⁰
- (b) In paragraph 1 (i) replace article 1.01 (a) with article 1.01 paragraph a) 1
- (c) In paragraph 2 (b) replace in accordance with the European Agreement Concerning the International Carriage of Dangerous Goods by Inland Waterways (ADN) with in accordance with ADN¹¹

80. Amendments to Article 9.03 - Prohibition on discharging and dumping

- (a) Delete footnote 76

81. Amendments to Article 9.04 - On board collection and processing of waste

- (a) Delete footnote 77

82. Amendments to Article 9.05 - Pollution prevention register (used oil log), requirements for delivery to reception facilities

- (a) In paragraph 1 replace No. 17 by No. 61
- (b) Delete footnote 78

XII. DRAFT CHAPTER 9, “REGIONAL AND NATIONAL SPECIAL REQUIREMENTS”

83. Add a new Chapter on “Regional and national special requirements”

CHAPTER 9, “REGIONAL AND NATIONAL SPECIAL REQUIREMENTS”**Article 9.01 – Regional and national special requirements**

1. The competent authorities may omit, complement or modify the provisions of Chapters 1-8 and, in particular, the provisions listed in this Chapter, when this is required by the conditions of navigation. In this case, they shall report on these differences to the Working Party on Inland Water Transport (SC.3).

¹⁰ As endorsed by the fifty-second session of SC.3 (ECE/TRANS/SC.3/181, paras. 22-23).

¹¹ As endorsed by the fifty-second session of SC.3 (ECE/TRANS/SC.3/181, paras. 22-23).

2. The competent authorities shall also report to the Working Party on the additional local requirements existing in their region.

Article 9.02 – Chapter 1, “GENERAL PROVISIONS”

1. With respect to Article 1.01 a) 5, the competent authorities may state in the ship's certificate that the vessel is a high-speed vessel.
2. With respect to Article 1.01 a) 9, the competent authorities may use the term “small size craft” as a subcategory of “small craft”.
3. With respect to Article 1.01 a) 10, the competent authorities may use a different definition of “water bike”.
4. With respect to Article 1.02, the competent authorities may waive the provisions of the article in case of certain assemblies of floating material and non-motorized vessels in certain side-by-side formations.
5. With respect to Article 1.09, the competent authorities may prescribe other provisions concerning age for steering small craft.
6. With respect to Article 1.10 para. 1, the competent authorities may require additional documents to be on board of the vessel, including but not limited to:
 - (a) Certificate on the release of the logbooks;
 - (b) Certificate of installation and functioning of tachograph and its records as required;
 - (c) Radar certificate;
 - (d) Certificate confirming installation and functioning of radar device and turn-and-bank indicator;
 - (e) Radiotelephone certificate delivered according to the relevant international and regional agreements;
 - (f) Certificate on frequency allocation;
 - (g) Handbook on radiotelephony in inland navigation, (general part and regional part);
 - (h) A duly completed book of oil control;
 - (i) Certificate for boilers and auxiliaries for vessels;
 - (j) Certificate for liquefied gas installations;
 - (k) Certificate for electrical equipment;
 - (l) Verification certificate for portable fire extinguishers and fixed fire extinguisher installations;
 - (m) Verification certificate for cranes;
 - (n) The certificate referred to in sections 8.1.2.1, 8.1.2.2 and 8.1.2.3 of ADN;
 - (o) Certificate confirming stability for the transport of containers;
 - (p) Certificate on duration and local boundary of the construction site, where the worksite craft is allowed to be used;
 - (q) Copies of certificates for engines, including the type-approval document and the engine parameter protocol;
 - (r) Certificates for mooring cables;
 - (s) Certificate confirming installation and functioning of the inland AIS equipment.

**Article 9.03 – Chapter 2, “MARKS AND DRAUGHT SCALES ON VESSELS;
TONNAGE MEASUREMENT”**

With respect to Article 2.02, the competent authorities may prescribe other provisions for small craft which are neither motorized nor sailing craft and for sailboards or small sailing craft less than 7 m long.

Article 9.04 – Chapter 3, “VISUAL SIGNALS (MARKING) ON VESSELS”

1. With respect to section II of Chapter 3, the competent authorities may decide not to require vessels under way to carry day markings.
2. With respect to Article 3.08 para. 1, the competent authorities may
 - (a) prescribe other stern lights;
 - (b) prescribe a height of less than 5 meters prescribed in paragraph (a).
3. With respect to Article 3.09 paragraph 1 (a), the competent authorities may prescribe a height of less than 5 meters.
4. With respect to Article 3.10 para. 1, the competent authorities may:
 - (a) Prescribe the use of bright lights on narrow waterways;
 - (b) Authorize the pusher to carry the masthead lights and the side lights.
5. With respect to Article 3.11, the competent authorities may consider a side-by-side formation whose greatest dimensions do not exceed 110 m in length and 23 m in width as single motorized vessels.
6. With respect to Article 3.14 para. 1,
 - (a) In the case of seagoing vessels operating only temporarily in inland navigation areas, the competent authorities may authorize the use of the day and night signals prescribed in the Recommendations on the Safe Transport of Dangerous Cargoes and Related Activities in Port Areas adopted by the Maritime Safety Committee of the International Maritime Organization (by night an all-round fixed red light and by day flag “B” of the International Code of Signals), instead of the signals prescribed in paragraphs 1, 2 and 3 of the article;
 - (b) The competent authorities may prescribe red lights instead of blue lights.
7. With respect to Article 3.16, the competent authorities may prescribe another marking.
8. With respect to Article 3.20 paragraph 4, the competent authorities may prescribe that small craft other than ship's boats does not need to carry the black ball by day.
9. With respect to Article 3.27, the competent authorities may prescribe a yellow scintillating light instead of the blue for fire-fighting and rescue vessels.

**Article 9.05 – Chapter 4, “SOUND SIGNALS; RADIOTELEPHONY;
NAVIGATION DEVICES”**

1. With respect to Article 4.01, the competent authorities of some UNECE member States apply the harmonized national technical and operational requirements for radiotelephone

installations on board inland navigation vessels in the framework of a Regional Arrangement based on the Radio Regulations of the International Telecommunication Union (ITU).

2. With respect to Article 4.06, the competent authorities may allow on certain inland waterways high-speed vessels to operate in daytime and at a visibility of 1km and more without being fitted with radar equipment and a rate-of-turn indicator.

Article 9.06 – Chapter 5, “WATERWAY SIGNS AND MARKING”

With respect to article 5.01 para. 2, the competent authorities may, where necessary, regulate navigation on certain sections by also using special signs at control posts.

Article 9.07 – Chapter 6, “RULES OF THE ROAD”

1. With respect to Article 6.02, the competent authorities may prescribe specific rules applicable to small size craft.
2. With respect to Article 6.04, the competent authorities may prescribe special exceptions to the rules on the meeting of the vessels.
3. With respect to Article 6.05, the competent authorities may prescribe special rules for the meeting of the vessels.
4. With respect to Article 6.08, the competent authorities may prescribe that, if the signs referred to in paragraph 2 above cannot be displayed, vessels shall stop and wait until authorization to proceed is given by representatives of the competent authorities.
5. With respect to Article 6.11 paragraph (b), the competent authorities may also stipulate an exception for the situation when one of the convoys is a side-by-side formation whose maximum dimensions do not exceed 110 m x 23 m.
6. With respect to Article 6.22 bis, the competent authorities may prescribe special rules for navigation when passing floating equipment at work or grounded or sunken vessels, and vessels whose ability to manoeuvre is limited.
7. With respect to Article 6.23 paragraph 2 (b), the competent authorities may prohibit the use of longitudinal cable.
8. With respect to Article 6.24-6.26, the competent authorities may prescribe special rules for the passage under bridges.
9. With respect to Article 6.27, the competent authorities may prescribe special rules for the passage through weirs.
10. With respect to Article 6.28, the competent authorities may prescribe special rules for the passage through locks.

11. With respect to Article 6.28 bis, the competent authorities may prescribe special rules for entering and leaving locks.
12. With respect to Article 6.30, the competent authorities may prescribe other general rules for navigation in visibility of less than 1 km.
13. With respect to Article 6.32, the competent authorities may
 - (a) waive the provision on giving the three-tone signal or apply it only on certain waterways;
 - (b) Prescribe additional provisions for vessels navigating by radar
14. With respect to Article 6.33, the competent authorities may prescribe that a vessel carrying the boatmaster of a convoy shall sound two long blasts.

Article 9.08 – Chapter 7, “BERTHING RULES”

(left void)

Article 9.09 – Chapter 8, “SIGNALLING AND REPORTING REQUIREMENTS”

With respect to Article 8.02 paragraph 4, the competent authorities may require that, if the vessel has stopped, all engines and auxiliary machinery must be stopped or unplugged.

XIII. AMENDMENTS TO ANNEXES OF CEVNI

A. Amendments to Annex 1, “Distinguishing Letter or Group of Letters Indicating Country of Vessel’s Home Port or Place of Registration”

84. Amendments to the list of distinguishing letter or group of letters indicating country of vessel’s home port or place of registration
 - (a) Add Bosnia and Herzegovina (BIH)
 - (b) Add Malta (MLT)
 - (c) Add Slovenia

B. Amendments to Annex 2, “Draught Scales on Inland Waterway Vessels”

85. No amendment is proposed.

C. Amendments to Annex 3, “Visual Signals (Marking) on Vessels”

86. Amendments to Section I – General
 - (a) Replace I General by 1. General
 - (b) Delete paragraph 1.3
 - (c) Delete paragraph 1.4

87. Amendments to Section 2 – Marking when under way

- (a) Sketch 15: amend to include 1 extra stern light
- (b) Sketch 30 b: replace that are referred to in marginal 10 500 of Annex B.1 and appendix 4 (list of substances) of annex B.2 of ADN with in accordance with the requirements of sub-section 7.1.5.0 or sub-section 7.2.5.0 of ADN and Chapter 3.2, Table A, column (12) or Table C column (19) of ADN ¹²
- (c) Sketch 31 b: replace that are referred to in marginal 10 500 of Annex B.1 and appendix 4 (list of substances) of annex B.2 of ADN with in accordance with the requirements of sub-section 7.1.5.0 or sub-section 7.2.5.0 of ADN and Chapter 3.2, Table A, column (12) or Table C column (19) of ADN ¹³
- (d) Sketch 32: replace that are referred to in marginal 10 500 of Annex B.1 of ADN with in accordance with the requirements of sub-section 7.1.5.0 or sub-section 7.2.5.0 of ADN and Chapter 3.2, Table A, column (12) of ADN ¹⁴
- (e) Sketch 33: replace that are referred to in marginal 10 500 of Annex B.1 and appendix 4 (list of substances) of annex B.2 of ADN with in accordance with the requirements of sub-section 7.1.5.0 or sub-section 7.2.5.0 of ADN and Chapter 3.2, Table A, column (12) or table C column (19) of ADN ¹⁵
- (f) Sketch 34: replace that are referred to in marginal 10 500 of Annex B.1 and appendix 4 (list of substances) of annex B.2 of ADN with in accordance with the requirements of sub-section 7.1.5.0 or sub-section 7.2.5.0 of ADN and Chapter 3.2, Table A, column (12) or Table C column (19) of ADN ¹⁶
- (g) Sketch 35: replace that are referred to in marginal 10 500 of Annex B.1 and appendix 4 (list of substances) of annex B.2 of ADN with in accordance with the requirements of sub-section 7.1.5.0 or sub-section 7.2.5.0 of ADN and Chapter 3.2, Table A, column (12) or Table C column (19) of ADN ¹⁷
- (h) Sketch 36: after passengers with a delete maximum
- (i) Sketch 42 b: add an image of the visual signals during the day (two black balls)

88. Amendments to Section 3 – Marking when stationary

- (a) Sketch 46: in the image of the visual signals during the day, add the pusher carrying a black ball and delete the black balls on the rear two barges

¹² As endorsed by the fifty-second session of SC.3 (ECE/TRANS/SC.3/181, paras. 22-23).

¹³ As endorsed by the fifty-second session of SC.3 (ECE/TRANS/SC.3/181, paras. 22-23).

¹⁴ As endorsed by the fifty-second session of SC.3 (ECE/TRANS/SC.3/181, paras. 22-23).

¹⁵ As endorsed by the fifty-second session of SC.3 (ECE/TRANS/SC.3/181, paras. 22-23).

¹⁶ As endorsed by the fifty-second session of SC.3 (ECE/TRANS/SC.3/181, paras. 22-23).

¹⁷ As endorsed by the fifty-second session of SC.3 (ECE/TRANS/SC.3/181, paras. 22-23).

89. Amendments to Section 4 – Special marking
- (a) Amend the text under sketch 61 as follows
Additional marking for vessels of the supervising authorities and fire fighting services and rescue vessels
 - (b) Renumber sketch 75 as sketch 4 and renumber the rest of sketches accordingly
- D. Amendments to Annex 4, “Lights and the Colour of Signal Lights on Vessels”**
90. Move annex 4 to “Recommendations on Harmonized Europe-Wide Technical Requirements for Inland Navigation Vessels” (Resolution No. 61).
- E. Amendments to Annex 5, “Intensity and Range of Signal Lights on Vessels”**
91. Move annex 5 to “Recommendations on Harmonized Europe-Wide Technical Requirements for Inland Navigation Vessels” (Resolution No. 61).
- F. Amendments to Annex 6, “Sound Signals”**
92. Amendments to Section A
- (a) After the signal “I am unable to manoeuvre” include a visual representation of signal “Do not approach” as follows¹⁸

_____ . . . Repeated, one short and one long blasts “Do not approach”
 - (b) Add a footnote after the “Do not approach” sign stating that this representation has a different meaning on the internal waterways of the Russian Federation.¹⁹
93. Amendments to Section B.2
- (a) Delete section B.2
94. Amendments to Section F.2
- (a) Delete section F.2
- G. Amendments to Annex 7, “Waterway Signs and Marking”**
95. General amendment
- (a) Number signs and signals in line with the numbering in the rest of CEVNI
96. Amendments to Section I, MAIN SIGNS
- (a) Transform signs B 2 a) and b) into rectangular signs
 - (b) Transform signs B 3 a) and b) into rectangular signs

¹⁸ As endorsed by the fifty-second session of SC.3 (ECE/TRANS/SC.3/181, paras. 22-23).

¹⁹ As endorsed by the fifty-second session of SC.3 (ECE/TRANS/SC.3/181, paras. 22-23).

- (c) Transform signs B 4 a) and b) into rectangular signs
- (d) Add a second E11 sign of rectangular shape

97. Amendments to Section II, AUXILARY SIGNS

- (a) In section 3, amend the sign for “Berthing permitted (over a distance of 1,000 m)” to correspond to sign A.5 “No berthing”

H. Amendments to Annex 8, “Buoyage and Marking of Waterways, Lakes and Broad Waterways”

98. General amendment

- (a) Number signs and signals in line with the numbering in the rest of CEVNI.

99. Amendments to Section I

- (a) Add a new paragraph 1 as follows

1. Marking

The waterway, the fairway, as well as the danger points and obstacles are not always marked.

Buyos, when used, shall be anchored at approximately 5 m distance from the limits that they indicate.

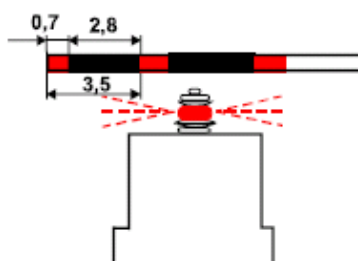
Groynes and shallows can be marked using fixed marks or buyos. These marks or buyos shall, usually, be placed on the borders of groynes and shallows or in front of them.

It is necessary to keep a sufficient distance from the marks and the buyos to avoid the risk of getting on the ground or hitting an obstacle.

- (b) Renumber the following paragraphs

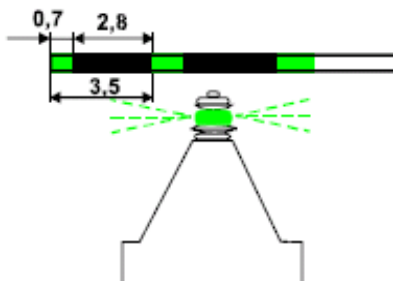
100. Amendments to Section II, paragraph 1

- (a) Figure 1: add an image of buoy with light and the following drawing for light



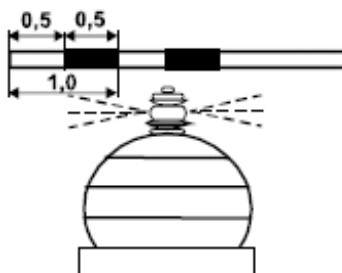
101. Amendments to Section II, paragraph 2

(a) Figure 2: add an image of buoy with light and the following drawing for light



102. Amendments to Section II, paragraph 3

(a) Figure 3: add an image of buoy with light and the following drawing for light



103. Amendments to Section II, paragraph 4

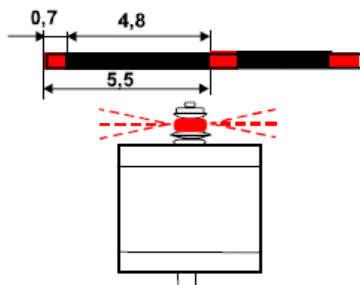
(a) In paragraph 4 capitalize letter p

104. Amendments to Section III A, paragraph 1

(a) In Figure 5, delete the second drawing

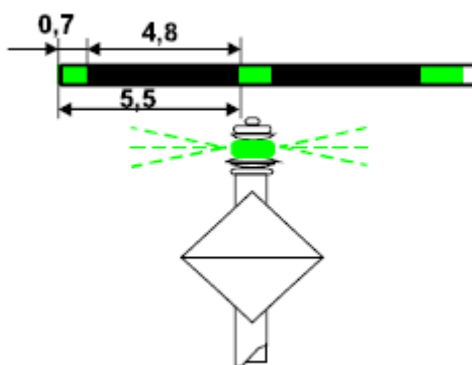
(b) In the paragraph on topmark delete or square frame (sides horizontal and vertical), painted red

(c) Add an image of the mark with light and the following drawing for light



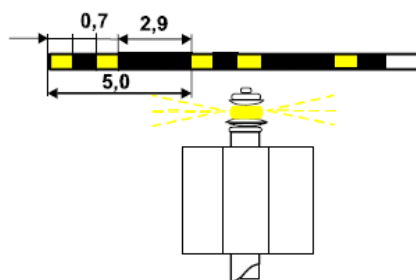
105. Amendments to Section III A, paragraph 2

- (a) In Figure 6, delete the second drawing
- (b) In the paragraph on topmark delete or square frame (sides horizontal and vertical), painted green
- (c) Add an image of the mark with light and the following drawing for light



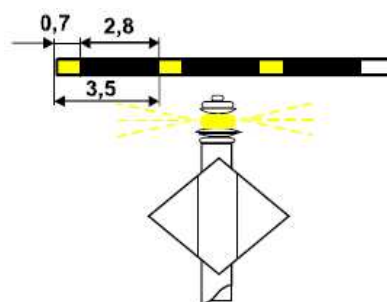
106. Amendments to Section III B, paragraph 1

- (a) In Figure 8, delete the second drawing
- (b) In the paragraph on topmark delete or a lath-assembled St.George's Cross, painted yellow
- (c) Add an image of the mark with light and the following drawing for light



107. Amendments to Section III B, paragraph 2

- (a) In Figure 9, delete the second drawing
- (b) In the paragraph on topmark delete or a lath-assembled St.George's Cross, painted yellow
- (c) Add an image of the mark with light and the following drawing for light



108. Amendments to Section III B, paragraph 3.2

- (a) Amend the text of paragraph 3.2 as follows

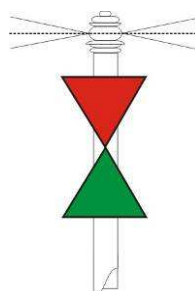
3.2 Identification of the axis of a long cross-over

Two identical signs placed one behind the other on the same bank, the **first sign positioned lower than the second one**, forming an alignment [...].

Lights (if any): yellow (the forward light and rearward light generally having the same rhythm; however, the rearward light may be a fixed light).

109. Amendments to Section IV A, paragraph 3

- (a) In Figure 14, add the following drawing



I. Amendments to Annex 9, “Model Used-Oil Log”

110. No amendment is proposed

J. Amendments to Annex 10, “General Technical Specifications Applicable to Radar Equipment”

111. Move annex 10 to “Recommendations on Harmonized Europe-Wide Technical Requirements for Inland Navigation Vessels” (Resolution No. 61).
