



**Economic and Social
Council**

Distr.
GENERAL

ECE/TRANS/WP.29/2006/110
13 July 2006

Original: ENGLISH

ECONOMIC COMMISSION FOR EUROPE

INLAND TRANSPORT COMMITTEE

World Forum for Harmonization of Vehicle Regulations (WP.29)

One-hundred-and-fortieth session
Geneva, 14-17 November 2006
Item 4.2.3. of the provisional agenda

**PROPOSAL FOR 03 SERIES OF AMENDMENTS TO REGULATION No. 11
(Door latches and door retention components)**

Submitted by the Working of Passive Safety (GRSP)

Note: The text reproduced below was adopted by GRSP at its thirty-ninth session. It is based on TRANS/WP.29/GRSP/2005/9 and Corr.1, as amended by Annex 2 to the report. It is submitted to WP.29 and AC.1 for consideration (ECE/TRANS/WP.29/GRSP/39, para. 16).

This document is a working document circulated for discussion and comments. The use of this document for other purposes is the entire responsibility of the user.

Documents are also available via the INTERNET:

<http://www.unece.org/trans/main/welcwp29.htm>

Paragraph 1., amend to read:

"1. SCOPE

This Regulation applies to vehicles of categories M₁ and [N] 1/ with respect to latches and door retention components such as hinges and other supporting means on doors, which can be used for the entry or exit of the occupants.

1/ As defined in Annex 7 to the Consolidated Resolution on the Construction of vehicles (R.E.3), document TRANS/WP.29/78/Rev.1/Amend.2, as last amended by Amendment 4."

Insert new paragraphs 2.3. to 2.7., to read:

- "2.3. "Auxiliary door latch" is a latch equipped with a fully latched position with or without a secondary latch position, and fitted to a door or door system equipped with a primary door latch system.
- 2.4. "Auxiliary door latch system" consists, at a minimum, of an auxiliary door latch and a striker.
- 2.5. "Back door" is a door or door system on the back end of a motor vehicle through which passengers can enter or depart the vehicle or cargo can be loaded or unloaded. It does not include:
- (a) a trunk lid; or
 - (b) a door or window composed entirely of glazing material and whose latches and/or hinge systems are attached directly to the glazing material.
- 2.6. "Body member" is that portion of the hinge normally affixed to the body structure.
- 2.7. "Child Safety Lock System" is a locking device which can be engaged and released independently of other locking devices and which, when engaged, prevents operation of the interior door handle or other release device. The lock release/engagement device may be manual or electric and may be located anywhere on or in the vehicle."

Renumber paragraph 2.3. as paragraph 2.8.

Insert new paragraphs 2.9. to 2.27., to read:

- "2.9. "Door closure warning system" is a system that will activate a visual signal located where it can be clearly seen by the driver when a door latch system is not in its fully latched position and while the vehicle ignition is activated.
- 2.10. "Door Hinge System" is one or more hinges used to support a door.
- 2.11. "Door latch system" consists, at a minimum, of a latch and a striker.

- 2.12. "Door member" is that portion of the hinge normally affixed to the door structure and constituting the swinging member.
- 2.13. "Door system" is the door, latch, striker, hinges, sliding track combinations and other door retention components on a door and its surrounding doorframe. The door system of a double door includes both doors.
- 2.14. "Double door" is a system of two doors where the front door or wing door opens first and connects to the rear door or bolted door, which opens second.
- 2.15. "Fork-bolt" is the part of the latch that engages and retains the striker when in a latched position.
- 2.16. "Fork-bolt opening direction" is the direction opposite to that in which the striker enters the latch to engage the fork-bolt.
- 2.17. "Fully latched position" is the coupling condition of the latch that retains the door in a completely closed position.
- 2.18. "Hinge" is a device used to position the door relative to the body structure and control the path of the door swing for passenger ingress and egress.
- 2.19. "Hinge pin" is that portion of the hinge normally interconnecting the body and door members and establishing the swing axis.
- 2.20. "Latch" is a device employed to maintain the door in a closed position relative to the vehicle body with provisions for deliberate release (or operation).
- 2.21. "Primary door latch" is a latch equipped with both a fully latched position and a secondary latched position and is designated as a "primary door latch" by the manufacturer. The manufacturer may not thereafter change such designation. Each manufacturer shall, upon request, provide information regarding which latches are "primary door latches" for a particular vehicle or make/model.
- 2.22. "Primary door latch system" consists, at a minimum, of a primary door latch and a striker.
- 2.23. "Secondary latched position" refers to the coupling condition of the latch that retains the door in a partially closed position.
- 2.24. "Side front door" is a door that, in a side view, has 50 per cent or more of its opening area forward of the rearmost point on the driver's seat back, when the seat back is adjusted to its most vertical and rearward position, providing direct access for passengers to enter or depart the vehicle.
- 2.25. "Side rear door" is a door that, in a side view, has 50 per cent or more of its opening area to the rear of the rearmost point on the driver's seat back, when the driver's seat is

adjusted to its most vertical and rearward position, providing direct access for passengers to enter or depart the vehicle.

2.26. "Striker" is a device with which the latch engages to maintain the door in the fully latched or secondary latched position.

2.27. "Trunk lid" is a movable body panel that provides access from outside the vehicle to a space wholly partitioned from the occupant compartment by a permanently attached partition or fixed or fold-down seat back."

Paragraph 4.1., amend to read:

"4.1. If the vehicle type submitted for approval pursuant to this Regulation meets the requirements of paragraphs 5., 6. and 7. below, approval of that vehicle type shall be granted."

Paragraph 4.2., amend the figure "(02)" to read "(03)"

Paragraph 4.4.1., footnote 1/, renumber as footnote 2/ and amend to read:

"2/ 1 for Germany, 2 for France, 3 for Italy, 4 for the Netherlands, 5 for Sweden, 6 for Belgium, 7 for Hungary, 8 for the Czech Republic, 9 for Spain, 10 for Serbia and Montenegro, 11 for the United Kingdom, 12 for Austria, 13 for Luxembourg, 14 for Switzerland, 15 (vacant), 16 for Norway, 17 for Finland, 18 for Denmark, 19 for Romania, 20 for Poland, 21 for Portugal, 22 for the Russian Federation, 23 for Greece, 24 for Ireland, 25 for Croatia, 26 for Slovenia, 27 for Slovakia, 28 for Belarus, 29 for Estonia, 30 (vacant), 31 for Bosnia and Herzegovina, 32 for Latvia, 33 (vacant), 34 for Bulgaria, 35 (vacant), 36 for Lithuania, 37 for Turkey, 38 (vacant), 39 for Azerbaijan, 40 for The former Yugoslav Republic of Macedonia, 41 (vacant), 42 for the European Community (Approvals are granted by its Member States using their respective ECE symbol), 43 for Japan, 44 (vacant), 45 for Australia, 46 for Ukraine, 47 for South Africa, 48 for New Zealand, 49 for Cyprus, 50 for Malta, 51 for the Republic of Korea, 52 for Malaysia and 53 for Thailand. Subsequent numbers shall be assigned to other countries in the chronological order in which they ratify or accede to the Agreement Concerning the Adoption of Uniform Technical Prescriptions for Wheeled Vehicles, Equipment and Parts which can be Fitted and/or be Used on Wheeled Vehicles and the Conditions for Reciprocal Recognition of Approvals Granted on the Basis of these Prescriptions, and the numbers thus assigned shall be communicated by the Secretary-General of the United Nations to the Contracting Parties to the Agreement."

Paragraphs 5. to 5.2.2., amend to read:

"5. General Requirements

5.1. The requirements apply to all side and back doors and door components except for those on folding doors, roll-up doors, detachable doors, and doors that are designated to provide emergency egress.

5.2. Door Latches

5.2.1. Each hinged door system shall be equipped with at least one primary door latch system.

5.2.2. Each sliding door system shall be equipped with either:

(a) a primary door latch system, or

(b) a door latch system with a fully latched position and a door closure warning system."

Paragraphs 5.2.3., 5.3. and 5.4., should be deleted.

Paragraph 6., amend to read:

"6. Performance Requirements

6.1. Hinged doors

6.1.1. Load Test One

6.1.1.1. Each primary door latch system and auxiliary door latch system, when in the fully latched position, shall not separate when a load of 11,000 N is applied in the direction perpendicular to the face of the latch such that the latch and the striker anchorage are not compressed against each other, when tested in accordance with paragraph 7.1.1.1.

6.1.1.2. When in the secondary latched position, the primary latch system shall not separate when a load of 4,500 N is applied in the same direction as in paragraph 6.1.1.1., when tested in accordance with paragraph 7.1.1.1.

6.1.2. Load Test Two

6.1.2.1. Each primary door latch system and auxiliary door latch system, when in the fully latched position, shall not separate when a load of 9,000 N is applied in the fork-bolt opening direction and parallel to the face of the latch, when tested in accordance with paragraph 7.1.1.1.

6.1.2.2. When in the secondary latched position, the primary latch system shall not separate when a load of 4,500 N is applied in the same direction, as in paragraph 6.1.2.1., when tested in accordance with paragraph 7.1.1.1.

6.1.3. Load Test Three

6.1.3.1. Each primary door latch system on back doors shall not disengage from the fully latched position when a load of 9,000 N is applied in a direction orthogonal to the directions specified in paragraphs 6.1.1.1. and 6.1.2.1., when tested in accordance with paragraph 7.1.1.1.

6.1.4. Inertial Load.

Each primary door latch system and auxiliary door latch system shall meet the dynamic requirements of either paragraphs 6.1.4.1. and 6.1.4.2. or the calculation of inertial load resistance requirements of paragraph 6.1.4.3.

6.1.4.1. Each primary door latch system and auxiliary door latch system on each hinged door shall not disengage from the fully latched position when an inertial load of 30 g is applied to the door latch system, including the latch and its activation device, in the directions parallel to the vehicle's longitudinal and transverse axes with the locking device disengaged and when demonstrated in accordance with paragraph 7.1.1.2.

6.1.4.2. Each primary door latch system and auxiliary door latch system on each hinged back door shall also not disengage from the fully latched position when an inertial load of 30 g is applied to the door latch system, including the latch and its activation device, in the direction parallel to the vehicle's vertical axis, with the locking device disengaged and when demonstrated in accordance with paragraph 7.1.1.2.

6.1.4.3. Each component or subassembly can be calculated for its minimum inertial load resistance in a particular direction. The combined resistance to the unlatching operation must assure that the door latch system, when properly assembled in the vehicle door, will remain latched when subjected to an inertial load of 30 g in the vehicle directions specified in paragraphs 6.1.4.1. and 6.1.4.2., as applicable, in accordance with paragraph 7.1.1.2.

6.1.5. Door Hinges

6.1.5.1. Each door hinge system shall:

- (a) support the door,
- (b) not separate when a longitudinal load of 11,000 N is applied,
- (c) not separate when a transverse load of 9,000 N is applied, and
- (d) on back doors only, not separate when a vertical load of 9,000 N is applied.

6.1.5.2. All tests required by paragraph 6.1.5.1. are conducted in accordance with paragraph 7.1.2.

6.1.5.3. If a single hinge within the hinge system is tested instead of the entire hinge system, the hinge must bear a load proportional to the total number of hinges in the hinge system.

6.1.5.4. On side doors with rear mounted hinges that can be operated independently of other doors,
(a) the interior door handle shall be inoperative when the speed of the vehicle is greater than or equal to 4 km/h, and
(b) a door closure warning system shall be provided for those doors.

6.2. Sliding Side Doors

6.2.1. Load Test One

6.2.1.1 At least one door latch system, when in the fully latched position, shall not separate when a load of 11,000 N is applied in the direction perpendicular to the face of the latch, when tested in accordance with paragraph 7.2.1.1.

6.2.1.2. In the case of a primary door latch system, when in the secondary latched position, the door latch system shall not separate when a load of 4,500 N is applied in the same direction as in paragraph 6.2.1.1., when tested in accordance with paragraph 7.2.1.1.

6.2.2. Load Test Two

6.2.2.1. At least one door latch system, when in the fully latched position, shall not separate when a load of 9,000 N is applied in the direction of the fork-bolt opening and parallel to the face of the latch when tested in accordance with paragraph 7.2.1.1.

6.2.2.2. In the case of a primary door latch system, when in the secondary latched position, the primary latch system shall not separate when a load of 4,500 N is applied in the same direction as paragraph 6.2.2.1., when tested in accordance with paragraph 7.2.1.1.

6.2.3. Inertial Load

Each door latch system meeting the requirements of paragraphs 6.2.1. and 6.2.2. shall meet the dynamic requirements of either paragraph 6.2.3.1. or the calculation of inertial requirements of paragraph 6.2.3.2.

6.2.3.1. The door latch system shall not disengage from the fully latched position when an inertial load of 30 g is applied to the door latch system, including the latch and its activation device, in the directions parallel to the vehicle's longitudinal and transversal axes with the locking device disengaged and when tested in accordance with paragraph 7.2.1.2.

6.2.3.2. The minimum inertial load resistance can be calculated for each component or subassembly. Their combined resistance to the unlatching operation must assure that the door latch system, when properly assembled in the vehicle door, will remain latched when subjected to an inertial load of 30 g in the vehicle directions specified in paragraph 6.2.1. or 6.2.2., as applicable, in accordance with paragraph 7.2.1.2.

6.2.4. Door System

6.2.4.1. The track and slide combination or other supporting means for each sliding door, while in the closed fully latched position, shall not separate from the door frame when a total force of 18,000 N along the vehicle transverse axis is applied to the door in accordance with paragraph 7.2.2.

6.2.4.2. The sliding door, when tested in accordance with paragraph 7.2.2., fails this requirement if any one of the following occurs:

6.2.4.2.1. A separation between the interior of the door and the exterior edge of the doorframe exceeds 100 mm, while the required force is maintained.

6.2.4.2.2. Either force application device reaches a total displacement of 300 mm.

6.3. Door Locks

6.3.1. Each door shall be equipped with at least one locking device which, when engaged, shall prevent operation of the exterior door handle or other exterior latch release control and which has an operating means and a lock release/engagement device located within the interior of the vehicle.

6.3.2. Rear side doors.

Each rear side door shall be equipped with at least one locking device which, when engaged, prevents operation of the interior door handle or other interior latch release control and requires separate actions to unlock the door and operate the interior door handle or other interior latch release control.

6.3.2.1. Based on a determination by each Contracting Party or regional economic integration organization, the locking device may be a:

- (a) child safety lock system, or
- (b) lock release/engagement device located within the interior of the vehicle and readily accessible to the driver of the vehicle or an occupant seated adjacent to the door.

6.3.2.2. Either system described in paragraph 6.3.2.1. (a) and (b) shall be permitted as an additional locking feature.

6.3.3. Back doors

Each back door equipped with an interior door handle or other interior latch release control, shall be equipped with at least one locking device located within the interior of the vehicle which, when engaged, prevents operation of the interior door handle or other interior latch release control and requires separate actions to unlock the door and operate the interior door handle or other interior latch release control."

Insert new paragraphs 7. to 7.2.2., to read:

"7. Test Procedures

7.1. Hinged Doors

7.1.1. Door Latches

7.1.1.1. Load Tests One, Two, and Three, Force Application

Compliance with paragraphs 6.1.1., 6.1.2. and 6.1.3. is demonstrated in accordance with Annex 3.

7.1.1.2. Inertial Force Application

Compliance with paragraph 6.1.4. is demonstrated in accordance with Annex 4.

7.1.2. Door Hinges

Compliance with paragraph 6.1.5. is demonstrated in accordance with Annex 5.

7.2. Sliding Side Doors

7.2.1. Door Latches

7.2.1.1. Load Tests One and Two, Force Application

Compliance with paragraphs 6.2.1. and 6.2.2. is demonstrated in accordance with Annex 3.

7.2.1.2. Inertial Force Application

Compliance with paragraph 6.2.3. is demonstrated in accordance with Annex 4.

7.2.2. Door System

Compliance with paragraph 6.2.4. is demonstrated in accordance with Annex 6."

Paragraphs 7. to 11., renumber as paragraphs 8. to 12.

Paragraph 12., renumber as paragraph 13., and amend to read:

"13. TRANSITIONAL PROVISIONS

13.1. As from the official date of entry into force of the 03 series of amendments, no Contracting Party applying this Regulation shall refuse to grant approval under this Regulation as amended by the 03 series of amendments.

13.2. Until 12 August 2012, Contracting Parties applying this Regulation shall continue to grant approvals to those types of vehicles which comply with the requirements of this Regulation as amended by the preceding series of amendments.

- 13.3. As from 12 August 2012, Contracting Parties applying this Regulation shall grant approvals only if the vehicle type to be approved meets the requirements of this Regulation as amended by the 03 series of amendments.
- 13.4. No Contracting Party applying this Regulation shall refuse national or regional type-approval of a vehicle type approved to the 03 series of amendments to this Regulation.
- 13.5. Until 12 August 2012, no Contracting Party applying this Regulation shall refuse national or regional type-approval of a vehicle type-approved to the preceding series of amendments to this Regulation.
- 13.6. As from 12 August 2012, Contracting Parties applying this Regulation may refuse first national or regional registration (first entry into service) of a vehicle which does not meet the requirements of the 03 series of amendments to this Regulation.
- 13.7. As from 12 August 2012, approvals to this Regulation shall cease to be valid, except in the case of vehicle types which comply with the requirements of this Regulation as amended by the 03 series of amendments. "

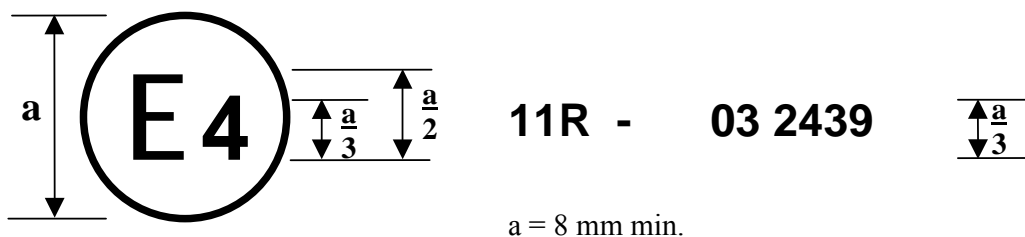
Annex 2, amend to read:

"Annex 2

ARRANGEMENTS OF APPROVAL MARKS

Model A

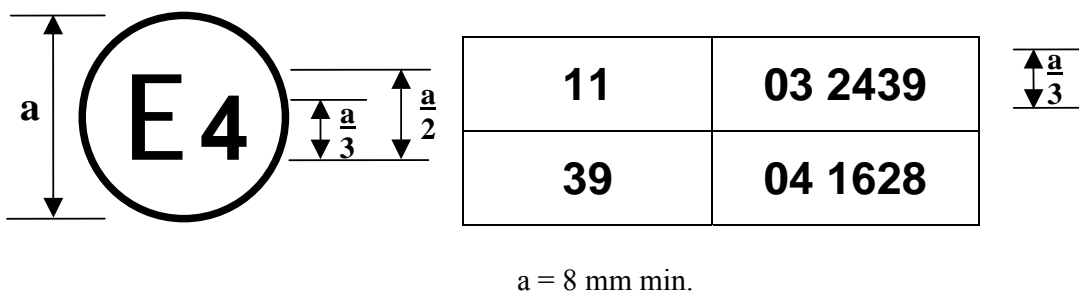
(See paragraph 4.4. of this Regulation)



The above approval mark affixed to a vehicle shows that the vehicle type concerned has, with regard to door latches and door retention components, been approved in the Netherlands (E 4) pursuant to Regulation No. 11, as amended by the 03 series of amendments.

Model B

(See paragraph 4.5. of this Regulation)



The above approval mark affixed to a vehicle shows that the vehicle type concerned has been approved in the Netherlands (E 4) pursuant to Regulation No. 11 as amended by the 03 series of amendments and Regulation No. 39, as amended by the 04 series of amendments 1/.

1/ The second number is given merely as an example."

Annex 3, including its appendix, amend to read:

"Annex 3

LATCH TEST FOR LOAD TESTS ONE, TWO, AND THREE, FORCE APPLICATION

1. Purpose.

These tests are intended to establish minimum performance requirements and test procedures for evaluating and testing vehicle door latch systems for their ability to resist force loads in directions perpendicular to the latch face and parallel to the latch face in the fork-bolt opening direction. For back doors only, the tests are intended to also establish minimum performance requirements and a test procedure for evaluating the primary latch system in a direction orthogonal to the first two directions. Primary door latch systems must demonstrate the ability to resist applicable force loads in both the fully and secondary latched positions; auxiliary door latch systems, and other door latch systems with only a fully-latched position, must demonstrate the ability to resist force loads in directions perpendicular to the latch face and parallel to the latch face in the fork-bolt opening direction at the levels specified for the fully latched position.

2. Test Operation

2.1. Load Test One

2.1.1. Equipment: Tensile testing fixture (see Figure 3-1).

2.1.2. Procedures

2.1.2.1. Fully Latched Position

2.1.2.1.1. Adapt the test fixture to the mounting provisions of the latch and striker. Align the direction of engagement parallel to the linkage of the fixture. Mount the latch and striker in the fully latched position to the test fixture.

2.1.2.1.2. Locate weights to apply a 900 N load tending to separate the latch and striker in the direction of the door opening.

2.1.2.1.3. Apply the test load, in the direction specified in paragraph 6.1.1. of this Regulation and Figure 3-4, at a rate not to exceed 5 mm/min until the required load has been achieved. Record the maximum load achieved.

2.1.2.2. Secondary Latched Position

2.1.2.2.1. Adapt the test fixture to the mounting provisions of the latch and striker. Align the direction of engagement parallel to the linkage of the fixture. Mount the latch and striker in the secondary latched position to the test fixture.

- 2.1.2.2.2. Locate weights to apply a 900 N load tending to separate the latch and striker in the direction of the door opening.
 - 2.1.2.2.3. Apply the test load, in the direction specified in paragraph 6.1.1. of this Regulation and Figure 3-4, at a rate not to exceed 5 mm/min until the required load has been achieved. Record the maximum load achieved.
 - 2.1.2.2.4. The test plate on which the door latch is mounted will have a striker cut-out configuration similar to the environment in which the door latch will be mounted on normal vehicle doors.
- 2.2. Load Test Two
- 2.2.1. Equipment: Tensile testing fixture (see Figure 3-2).
 - 2.2.2. Procedures
 - 2.2.2.1. Fully Latched Position
 - 2.2.2.1.1. Adapt the test fixture to the mounting provisions of the latch and striker. Mount the latch and striker in the fully latched position to the test fixture.
 - 2.2.2.1.2. Apply the test load, in the direction specified in paragraph 6.1.2. of this Regulation and Figure 3-4, at a rate not to exceed 5 mm/min until the required load has been achieved. Record the maximum load achieved.
 - 2.2.2.2. Secondary Latched Position
 - 2.2.2.2.1. Adapt the test fixture to the mounting provisions of the latch and striker. Mount the latch and striker in the secondary latched position to the test fixture.
 - 2.2.2.2.2. Apply the test load, in the direction specified in paragraph 6.1.2. of this Regulation and Figure 3-4, at a rate not to exceed 5 mm/min until the required load has been achieved. Record the maximum load achieved.
- 2.3. Load Test Three (Back Doors Only)
- 2.3.1. Equipment: Tensile testing fixture (see Figure 3-3).
 - 2.3.2. Procedure
 - 2.3.2.1. Adapt the test fixture to the mounting provisions of the latch and striker. Mount the latch and striker in the fully latched position to the test fixture.
 - 2.3.2.2. Apply the test load, in the direction specified in paragraph 6.1.3. of this Regulation and Figure 3-4, at a rate not to exceed 5 mm/min until the required load has been

achieved. Record the maximum load achieved.

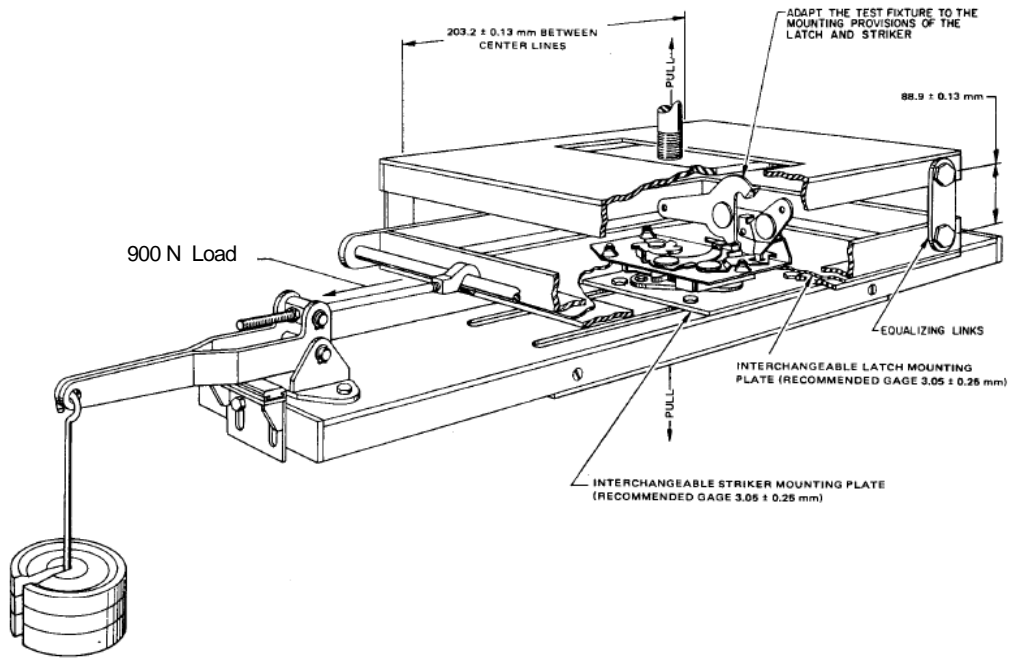


Figure 3-1 – Door Latch - Tensile Testing Fixture for Load Test One

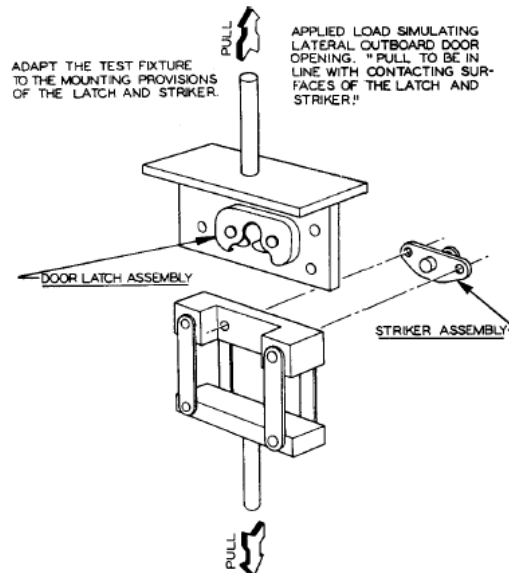


Figure 3-2 – Door Latch – Tensile Testing Fixture for Load Test Two

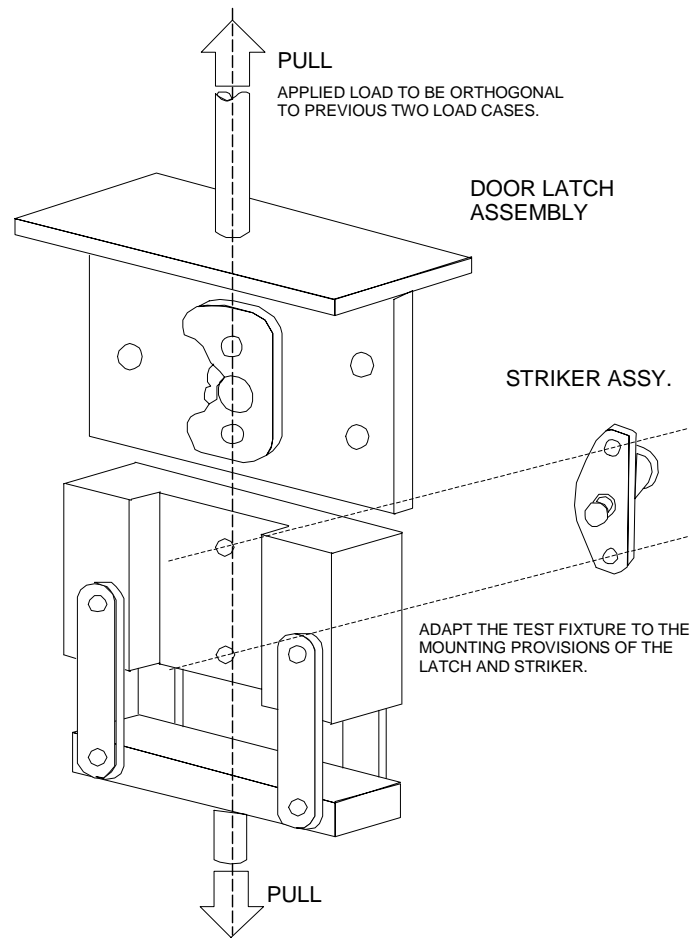


Figure 3-3 - Door Latch – Tensile Testing Fixture for Load Test Three (Back Doors Only)

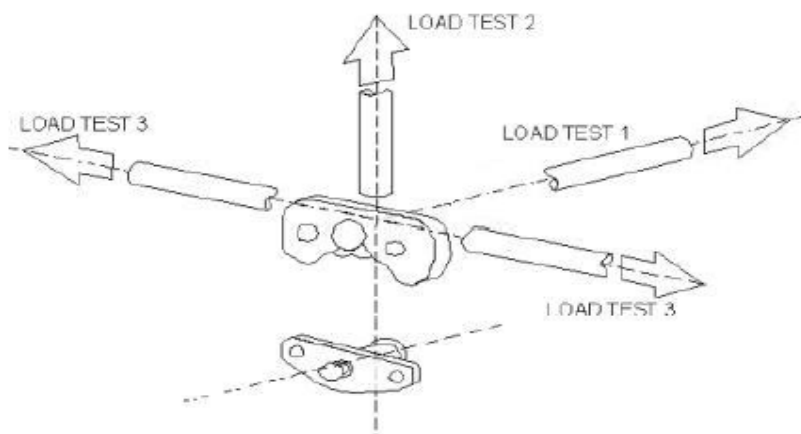


Figure 3-4 – Door Static Load Test Directions"

Insert new Annexes 4, 5 and 6, to read:

"Annex 4

INERTIAL TEST PROCEDURES

1. Purpose

To determine the ability of the vehicle latch system to resist inertial loading by means of a mathematical analysis of the component parts in their true car relationship or by evaluation using a dynamic test.

2. Test Procedures

2.1. Option 1, Calculation.

2.1.1. The procedure described in this annex provides a means for analytically determining the ability of a door latch system to withstand inertial loading. Spring forces are the average of the minimum spring output in the installed position and the minimum spring output in the release position. Friction effects and work to be done are not considered in the calculations. Gravitational pull on components may also be omitted if it tends to restrict unlatching. These omissions from the calculations are permissible because they provide additional factors of safety.

2.1.2. Calculation Consideration - Each component or subassembly can be calculated for its minimum inertial load resistance in a particular direction. Their combined resistance to the unlatching operation must assure that the door latch system (when properly assembled in the vehicle door) will remain latched when subjected to an inertial load of 30 g in any direction. Figure 4-1 is an example of the components and combinations of components to be considered.

2.2. Option 2, Full Vehicle Dynamic Test

2.2.1. Test Equipment

2.2.1.1. An acceleration (or deceleration) device.

2.2.1.2. One of the following vehicles:

2.2.1.2.1. A full vehicle including at least door(s), door latch(es), exterior door handle(s) with mechanical latch operation, interior door opening lever(s), the locking device(s), interior trim and door seal.

2.2.1.2.2. A vehicle body in white (i.e., vehicle frame, doors and other door retention components) including at least door(s), door latch(es), exterior door handle(s) with mechanical latch operation, interior door opening lever(s), and the locking device(s).

- 2.2.1.3. A device or means for recording door opening.
- 2.2.1.4. Equipment for measuring and recording accelerations.
- 2.2.2. Test Setup
 - 2.2.2.1. Rigidly secure the full vehicle or vehicle body in white to a device that when accelerated together will assure that all points on the crash pulse curve are within the corridor defined in Table 4-1 and Figure 4-2.
 - 2.2.2.2. The doors may be tethered to avoid damaging the equipment used to record door opening.
 - 2.2.2.3. Install the equipment used to record door opening.
 - 2.2.2.4. Close the door(s) to be tested and ensure that the door latch(es) are in the fully-latched position, that the door(s) are unlocked, and that all windows, if provided, are closed.
- 2.2.3. Test Directions (see Figure 4-3)
 - 2.2.3.1. Longitudinal Setup 1. Orient the vehicle or body in white so that its longitudinal axis is aligned with the axis of the acceleration device, simulating a frontal impact.
 - 2.2.3.2. Longitudinal Setup 2. Orient the vehicle or body in white so that its longitudinal axis is aligned with the axis of the acceleration device, simulating a rear impact.
 - 2.2.3.3. Transverse Setup 1. Orient the vehicle or body in white so that its transverse axis is aligned with the axis of the acceleration device, simulating a driver-side impact.
 - 2.2.3.4. Transverse Setup 2 (Only for vehicles having different door arrangements on each side). Orient the vehicle or body in white so that its transverse axis is aligned with the axis of the acceleration device, simulating a side impact in the direction opposite to that described in paragraph 2.2.3.3. of this annex.
- 2.3. Option 3, Door Dynamic Test
 - 2.3.1. Test Equipment

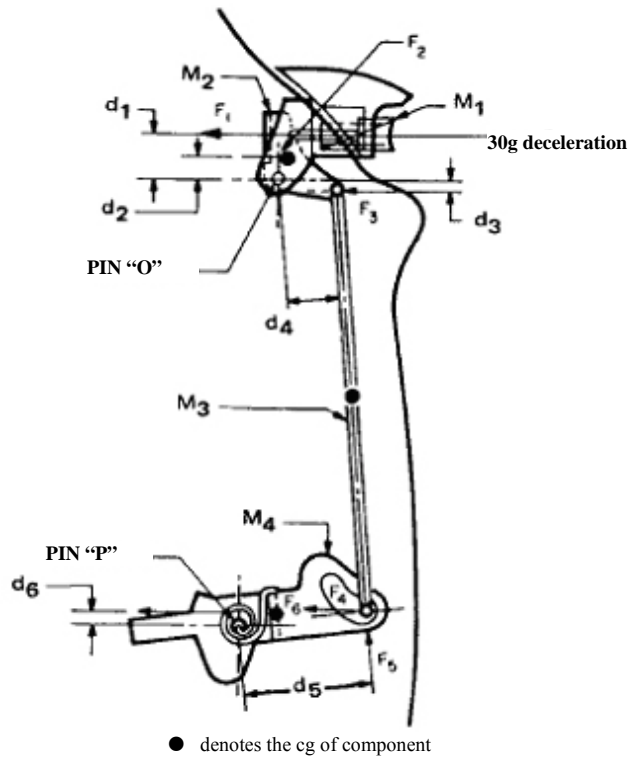
The door assembly(ies) including, at least, the door latch(es), exterior door handle(s) with mechanical latch operation, interior door opening lever(s), and the locking device(s)
 - 2.3.1.2. A test fixture to mount the door(s).
 - 2.3.1.3. An acceleration (or deceleration) device.

- 2.3.1.4. A tether.
- 2.3.1.5. A device or means for recording door opening.
- 2.3.1.6. Equipment for measuring and recording accelerations.
- 2.3.2. Test Setup
 - 2.3.2.1. Mount the door assemblies either separately or combined to the test fixture. Each door and striker should be mounted to correspond to its orientation on the vehicle and to the direction required for inertial load tests (paragraph 2.3.3. of this annex).
 - 2.3.2.2. Mount the test fixture to the acceleration device.
 - 2.3.2.3. Install the equipment used to record door opening.
 - 2.3.2.4. Ensure that the door latch is in the fully-latched position, that the door is tethered, unlocked, and that the window, if provided, is closed.
- 2.3.3. Test Directions (see Figure 4-3)
 - 2.3.3.1. Longitudinal Setup 1. Orient the door subsystem(s) on the acceleration device in the direction of a frontal impact.
 - 2.3.3.2. Longitudinal Setup 2. Orient the door subsystem(s) on the acceleration device in the direction of a rear impact.
 - 2.3.3.3. Transverse Setup 1. Orient the door subsystem(s) on the acceleration device in the direction of a driver-side impact.
 - 2.3.3.4. Transverse Setup 2. Orient the door subsystem(s) on the acceleration device in the direction opposite to that described in paragraph 2.3.3.3. of this annex.
 - 2.3.3.5. Vertical Setup 1. (Only for back doors). Orient the door subsystem(s) on the acceleration device so that its vertical axis (when mounted in a vehicle) is aligned with the axis of the acceleration device, simulating a rollover impact where the force is applied in the direction from the top to the bottom of the door (when mounted in a vehicle).
 - 2.3.3.6. Vertical Setup 2. (Only for back doors). Orient the door subsystem(s) on the acceleration device so that its vertical axis (when mounted in a vehicle) is aligned with the axis of the acceleration device, simulating a rollover impact where the force is applied in the direction opposite to that described in paragraph 2.3.3.5. of this annex.

- 2.4. Test Operation for Options 2 and 3
 - 2.4.1. A minimum acceleration level of 30 g shall be maintained over a period of at least 30 ms, while keeping the acceleration within the pulse corridor as defined in Table 4-1 and graphically shown in Figure 4-2.
 - 2.4.2. Accelerate the test fixture(s) in the following directions:
 - 2.4.2.1. For Option 2 tests:
 - 2.4.2.1.1. In the direction specified in paragraph 2.2.3.1. of this annex.
 - 2.4.2.1.2. In the direction specified in paragraph 2.2.3.2. of this annex.
 - 2.4.2.1.3. In the direction specified in paragraph 2.2.3.3. of this annex.
 - 2.4.2.1.4. In the direction specified in paragraph 2.2.3.4. of this annex.
 - 2.4.2.2. For Option 3 tests:
 - 2.4.2.2.1. In the direction specified in paragraph 2.3.3.1. of this annex.
 - 2.4.2.2.2. In the direction specified in paragraph 2.3.3.2. of this annex.
 - 2.4.2.2.3. In the direction specified in paragraph 2.3.3.3. of this annex.
 - 2.4.2.2.4. In the direction specified in paragraph 2.3.3.4. of this annex.
 - 2.4.2.2.5. In the direction specified in paragraph 2.3.3.5. of this annex.
 - 2.4.2.2.6. In the direction specified in paragraph 2.3.3.6. of this annex.
 - 2.4.3. If at any point in time the pulse exceeds 36 g and the test requirements are fulfilled, the test shall be considered valid.
 - 2.4.4. Ensure that the door did not open and close during the test.

Given:
 Door latch system subjected to a 30g deceleration
 Average Push-Button Spring Output Force = 0.459kgf
 Pawl Spring Output Torque = 0.0459kgf m
 $a = 30g \text{ (m/s}^2\text{)}$
 $F = ma = m \cdot 30g = m \cdot 294.2$

$M_1 = 0.0163\text{kg}$ $d_1 = 31.50\text{mm}$
 $M_2 = 0.0227\text{kg}$ $d_2 = 10.67\text{mm}$
 $M_3 = 0.0122\text{kg}$ $d_3 = 4.83\text{mm}$
 $M_4 = 0.0422\text{kg}$ $d_4 = 31.50\text{mm}$
 $d_5 = 37.59\text{mm}$
 $d_6 = 1.90\text{mm}$



$F_1 = M_1 \times a$ - Average load on knob spring = $(0.0163\text{kg} \times 30g) - 0.459\text{kgf} = 0.03\text{kgf}$

$F_2 = M_2 \times a = 0.0227\text{kg} \times 30g = 0.681\text{kgf}$

$F_3 = M_3/2 \times a = 0.0122\text{kg}/2 \times 30g = 0.183\text{kgf}$

$\Sigma M_o = F_1 \times d_1 + F_2 \times d_2 - F_3 \times d_3$
 $= 0.03 \times 31.5 + 0.681 \times 10.67 - 0.183 \times 4.83$
 $= 7.33\text{kgf mm}$

$F_5 = M_o/d_4 = 7.33/31.5 = 0.2328\text{kgf}$

$F_6 = M_4 \times a = 0.0422\text{kg} \times 30g = 1.266\text{kgf}$

$\Sigma M_o = \text{Pawl spring output torque} - (F_5 d_5 + F_6 d_6)/1000$
 $= 0.0459 - (0.2328 \times 37.59 + 1.266 \times 1.9)/1000$
 $= 0.0347\text{kgf m}$

Figure 4-1 – Inertial Loading - Sample Calculation

Upper Bound			Lower Bound		
Point	Time (ms)	Acceleration (g)	Point	Time (ms)	Acceleration (g)
A	0	6	E	5	0
B	20	36	F	25	30
C	60	36	G	55	30
D	100	0	H	70	0

Table 4-1 – Acceleration Pulse Corridor

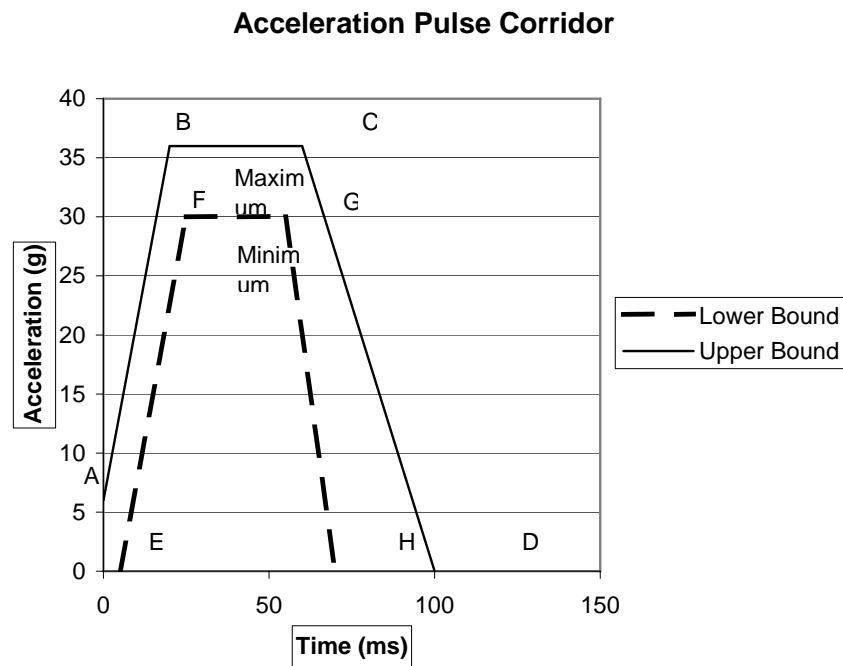
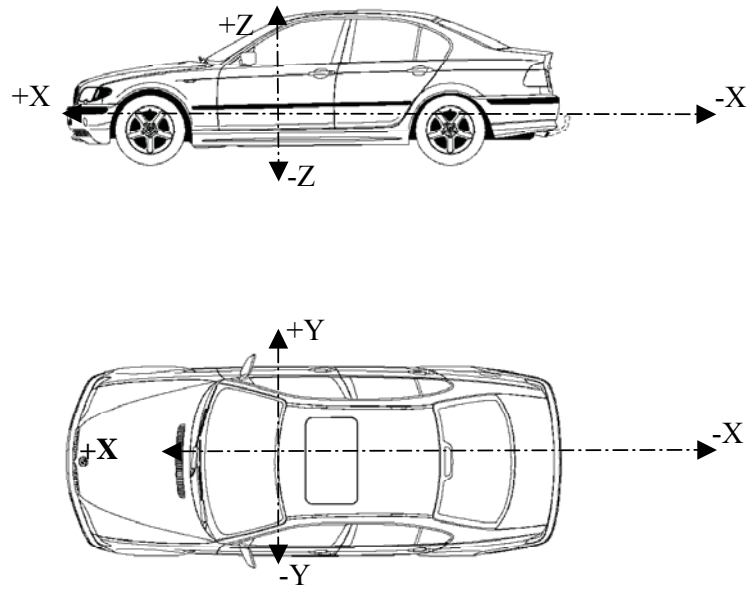


Figure 4-2 – Acceleration Pulse



X = longitudinal direction
Y = transversal direction
Z = vertical direction

Figure 4-3 - Vehicle Coordinate Reference System for Inertial Testing

Annex 5

HINGE TEST PROCEDURE

1. Purpose.

These tests are conducted to determine the ability of the vehicle hinge system to withstand test loads in the longitudinal, transversal, and, for back doors only, vertical vehicle directions.

2. Test Procedure

2.1. Multiple Hinge System

2.1.1. Longitudinal Load Test

2.1.1.1. Equipment

2.1.1.1.1. Tensile testing fixture.

2.1.1.1.2. A typical static test fixture is illustrated in Figure 5-1.

2.1.1.2. Procedure

2.1.1.2.1. Attach the hinge system to the mounting provision of the test fixture. Hinge attitude must simulate vehicle position (door fully closed) relative to the hinge centreline. For test purposes, the distance between the extreme ends of one hinge in the system to the extreme end of another hinge in the system is to be set at 406 ± 4 mm. The load is to be applied equidistant between the linear centre of the engaged portions of the hinge pin and through the centreline of the hinge pin in the longitudinal vehicle direction. (see Figure 5-2).

2.1.1.2.2. Apply the test load at a rate not to exceed 5 mm/min until the required load has been achieved. Failure consists of a separation of either hinge. Record the maximum load achieved.

2.1.2. Transverse Load Test

2.1.2.1. Equipment

2.1.2.1.1. Tensile testing fixture.

2.1.2.1.2. A typical static test fixture is illustrated in Figure 5-1.

2.1.2.2. Procedure

2.1.2.2.1. Attach the hinge system to the mounting provisions of the test fixture. Hinge attitude must simulate vehicle position (door fully closed) relative to the hinge centreline. For test purposes, the distance between the extreme ends of one hinge in the system to the extreme opposite end of another hinge in the system is to be set at 406 ± 4 mm. The load is to be applied equidistant between the linear centre of the engaged portions of the hinge pins and through the centreline of the hinge pin in the transverse vehicle direction. (see Figure 5-2).

2.1.2.2.2. Apply the test load at a rate not to exceed 5 mm/min until the required load has been achieved. Failure consists of a separation of either hinge. Record the maximum load achieved.

2.1.3. Vertical Load Test (Backdoors Only)

2.1.3.1. Equipment

2.1.3.1.1. Tensile testing fixture.

2.1.3.1.2. A typical static test fixture is illustrated in Figure 5-1.

2.1.3.2. Procedure

2.1.3.2.1. Attach the hinge system to the mounting provisions of the test fixture. Hinge attitude must simulate vehicle position (door fully closed) relative to the hinge centreline. For test purposes, the distance between the extreme ends of one hinge in the system to the extreme opposite end of another hinge in the system is to be set at 406 ± 4 mm. The load is to be applied through the centreline of the hinge pin in a direction orthogonal to the longitudinal and transverse loads. (see Figure 5-2).

2.1.3.2.2. Apply the test load at a rate not to exceed 5 mm/min until the required load has been achieved. Failure consists of a separation of either hinge. Record the maximum load achieved.

2.2. Single Hinge Evaluation. In some circumstances, it may be necessary to test the individual hinges of a hinge system. In such cases, the results for an individual hinge, when tested in accordance with the procedures below, shall be such as to indicate that system requirements in paragraph 6.1.5.1. of this Regulation are met. (For example, an individual hinge in a two-hinge system must be capable of withstanding 50 per cent of the load requirements of the total system.)

2.2.1. Test Procedures

2.2.1.1. Longitudinal Load. Attach the hinge system to the mounting provision of the test fixture. Hinge attitude must simulate the vehicle position (door fully closed) relative to the hinge centreline. For test purposes, the load is to be applied equidistant

between the linear centre of the engaged portions of the hinge pin and through the centreline of the hinge pin in the longitudinal vehicle direction. Apply the test load at a rate not to exceed 5 mm/min until the required load has been achieved. Failure consists of a separation of either hinge. Record the maximum load achieved.

- 2.2.1.2. Transverse Load. Attach the hinge system to the mounting provision of the test fixture. Hinge attitude must simulate the vehicle position (door fully closed) relative to the hinge centreline. For test purposes, the load is to be applied equidistant between the linear centre of the engaged positions of the hinge pin and through the centreline of the hinge pin in the transverse vehicle direction. Apply the test load at a rate not to exceed 5 mm/min until the required load is achieved. Failure consists of a separation of either hinge. Record the maximum load achieved.
- 2.2.1.3. Vertical Load. Attach the hinge system to the mounting provision of the test fixture. Hinge attitude must simulate the vehicle position (door fully closed) relative to the hinge centreline. For test purposes, the load is to be applied centreline of the hinge pin in a direction orthogonal to the longitudinal and transverse loads. Apply the test load at a rate not to exceed 5 mm/min until the required load is achieved. Failure consists of a separation of either hinge. Record the maximum load achieved.
- 2.3. For piano-type hinges, the hinge spacing requirements are not applicable and arrangement of the test fixture is altered so that the test forces are applied to the complete hinge.

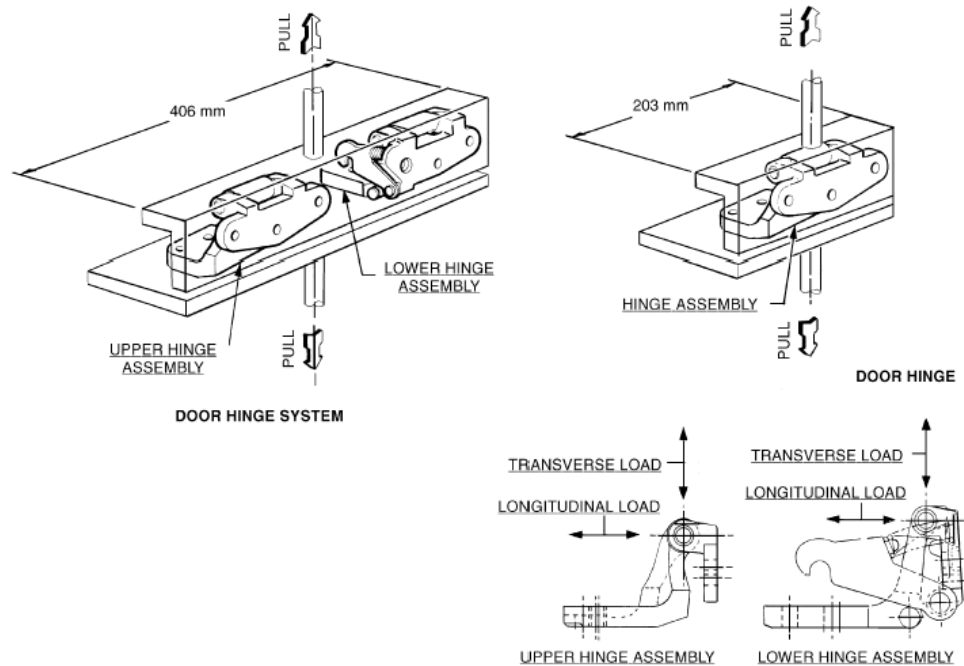


Figure 5-1 – Static test fixtures

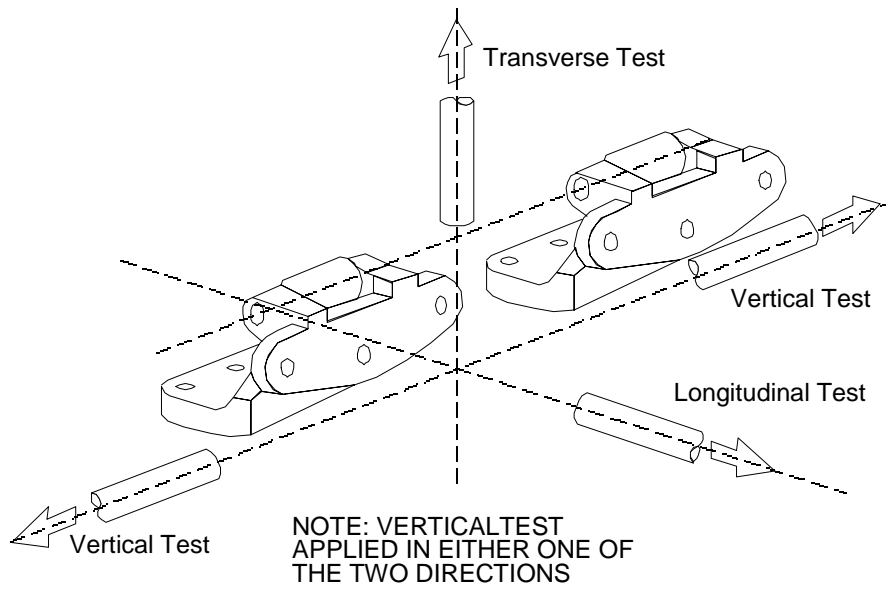


Figure 5-2 – Static load test directions for back doors

Annex 6

SLIDING SIDE DOOR

Full Door Test

1. Purpose.

This test is intended to establish minimum performance requirements and a test procedure for evaluation and testing sliding door retention components when installed on both the door and the doorframe. This test complements the applicable tests in Annex 3 and Annex 4

2. General Provisions

2.1. Tests are conducted using a full vehicle or a body in white with the sliding door and its retention components.

2.2. The test is conducted using two force application devices capable of applying the outward transverse forces specified in paragraph 6.2.4. of this Regulation. The test setup is shown in Figure 6-1. The force application system shall include the following:

2.2.1. Two force application plates.

2.2.2. Two force application devices capable of applying the outward transverse load requirements for a minimum displacement of 300 mm.

2.2.3. Two load cells of sufficient capacity to measure the applied loads.

2.2.4. Two linear displacement measurement devices required for measuring force application device displacement during the test.

2.2.5. Equipment for measuring at least 100 mm of separation between the interior of the door and the exterior edge of the doorframe, while respecting all relevant safety and health requirements.

3. Test Setup

3.1. Remove all interior trim and decorative components from the sliding door assembly.

3.2. Remove seats and any interior components that may interfere with the mounting and operation of the test equipment.

3.3. Mount the force application devices and associated support structure to the floor of the test vehicle.

- 3.4. Determine the forward and aft edge of the sliding door, or its adjoining vehicle structure, that contains a latch/striker.
- 3.5. Close the sliding door, ensuring that all door retention components are fully engaged.
- 3.6. For any tested door edge that contains one latch/striker, the following setup procedures are used:
 - 3.6.1. The force application plate is 150 mm in length, 50 mm in width, and at least 15 mm in thickness.
 - 3.6.2. Place the force application device and force application plate against the door so that the applied force is horizontal and normal to the vehicle's longitudinal centreline, and vertically centred on the door-mounted portion of the latch/striker.
 - 3.6.3. The force application plate is positioned as close to the edge of the door as possible. It is not necessary for the force application plate to be vertical.
- 3.7. For any tested door edge that contains more than one latch/striker, the following setup procedures are used:
 - 3.7.1. The force application plate is 300 mm in length, 50 mm in width, and at least 15 mm in thickness.
 - 3.7.2. Place the force application device and force application plate against the door so that the applied force is horizontal and normal to the vehicle's longitudinal centreline, and vertically centred on a point mid-way between the outermost edges of the latch/striker assemblies.
 - 3.7.3. The force application plate is positioned as close to the edge of the door as possible. It is not necessary for the force application plate to be vertical.
- 3.8. For any tested door edge that does not contain at least one latch/striker, the following setup procedures are used:
 - 3.8.1. The force application plate is 300 mm in length, 50 mm in width, and at least 15 mm in thickness.
 - 3.8.2. Place the force application device and force application plate against the door so that the applied force is horizontal and normal to the vehicle's longitudinal centreline, and vertically centred on a point mid-way along the length of the door edge ensuring that the loading device avoids contact with the window glazing.
 - 3.8.3. The force application plate is positioned as close to the edge of the door as possible. It is not necessary for the force application plate to be vertical.

- 3.9. The door is unlocked. No extra fixtures or components may be welded or affixed to the sliding side door or any of its components.
- 3.10. Attach any equipment used for measuring door separation that will be used to determine separation levels during the test procedure.
- 3.11. Place the load application structure so that the force application plates are in contact with the interior of the sliding door.
4. Test Procedure
 - 4.1. Move each force application device at a rate of 20-90 mm per minute, as specified by the manufacturer, until a force of 9,000 N is achieved on each force application device or until either force application device reaches a total displacement of 300 mm.
 - 4.2. If one of the force application devices reaches the target force of 9,000 N prior to the other, maintain the 9,000 N force with that force application device until the second force application device reaches the 9,000 N force.
 - 4.3. Once both force application devices have achieved 9,000 N each, stop forward movement of the force application devices and hold under the resulting load for a minimum of 10 seconds.
 - 4.4. Maintain the force application device position of paragraph 4.3. and measure the separation between the exterior edge of the doorframe and the interior of the door along the perimeter of the door.

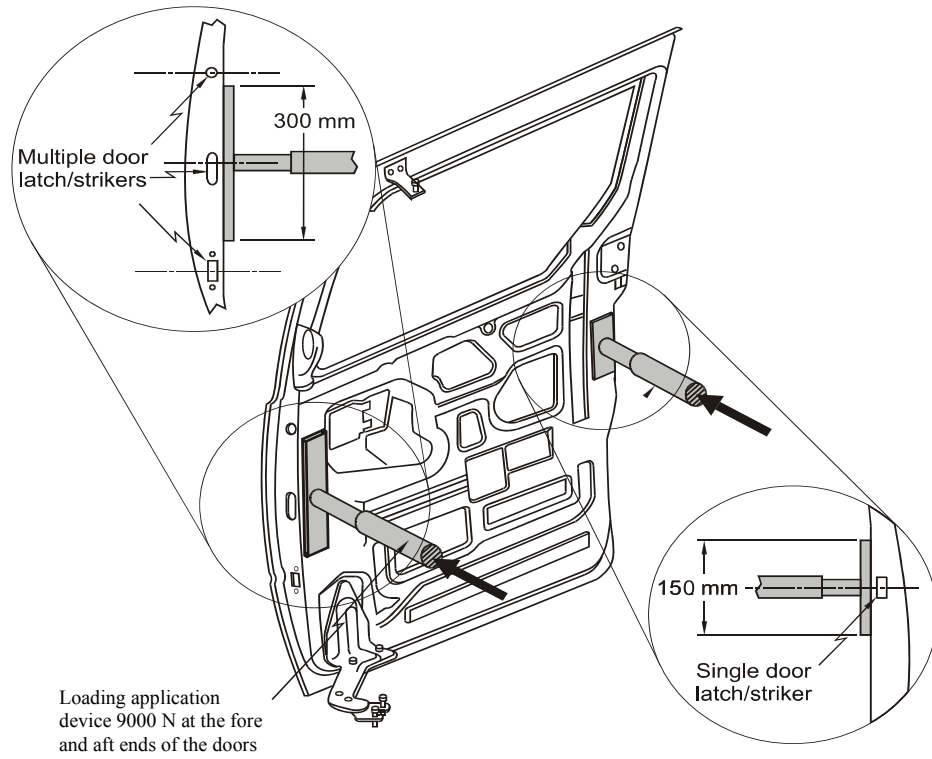


Figure 6-1 – Sliding Side Door Full Vehicle Test Procedure
(Note: Sliding door is shown separated from the vehicle)"
