



WWH-OBD

Diesel Heavy Duty emission related OBD
A module within a more generic GTR



WWH-OBD

Original scope and project management

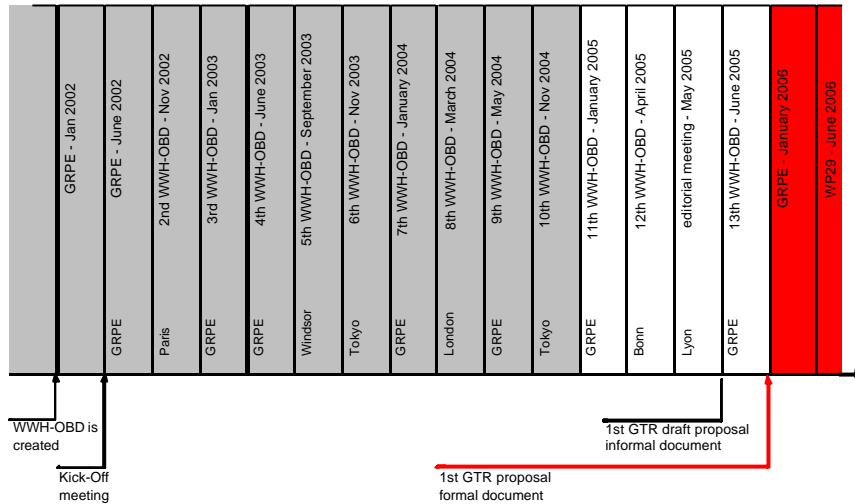
- ✿ **WP29 decided in November 2001 a GTR will be made, dealing with "On Board emission Diagnostic systems for Heavy duty vehicles and engines".**
It will concern Diesel fuelled compression ignition engines
- ✿ GRPE was given the task to draft this GTR
- ✿ A GRPE informal group, named WWH-OBD, has been created for that purpose
 - Chairman: Mr. NARUSAWA, NTSEL (Japan)
 - Secretary: Mr. RENAUDIN, OICA/ISO

24 Jan. 2005 structure of a UNECE GTR on OBD 2



WWH-OBD

time-schedule overview



24 Jan. 2005

structure of a UN/ECE GTR on OBD

3



WWH-OBD

The OBD concept

Diagnosing, Recording, Communicating

- ✚ "On Board Diagnostic system (OBD)" means a system on-board a vehicle or engine which has the capability of
 - ▣ detecting malfunctions,
 - ▣ indicating their occurrence by means of a malfunction indicator,
 - ▣ identifying the likely area of these malfunctions by means of diagnostic elements
 - ▣ storing that information in computer memory
 - ▣ communicating that information off-board.

24 Jan. 2005

structure of a UN/ECE GTR on OBD

4



Further request from AC3

- ☛ **AC3 decided in November 2003 the GTR will be structured in such a manner as to enable its future extension to other functions of the vehicle.**

Notes:

- 1- the scope of the task given to GRPE / GRPE WWH-OBD has not been modified (emission related / Heavy Duty Diesel vehicles)
- 2- GRPE has been mandated to propose the requested structure

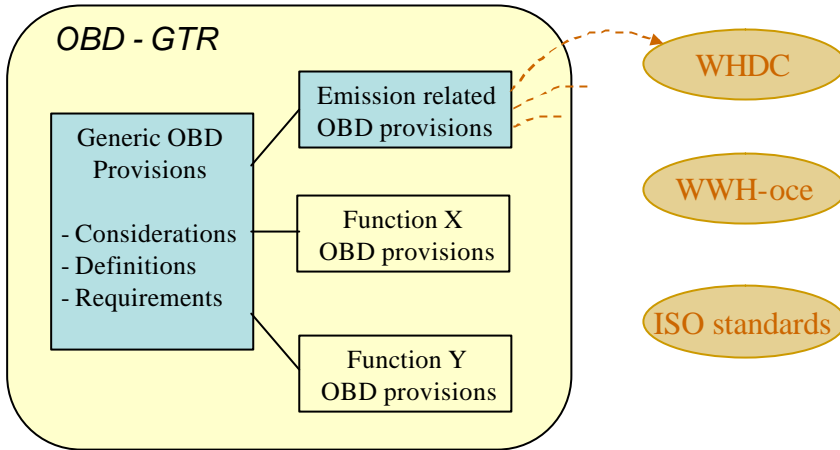


GTR structure – decisions from GRPE

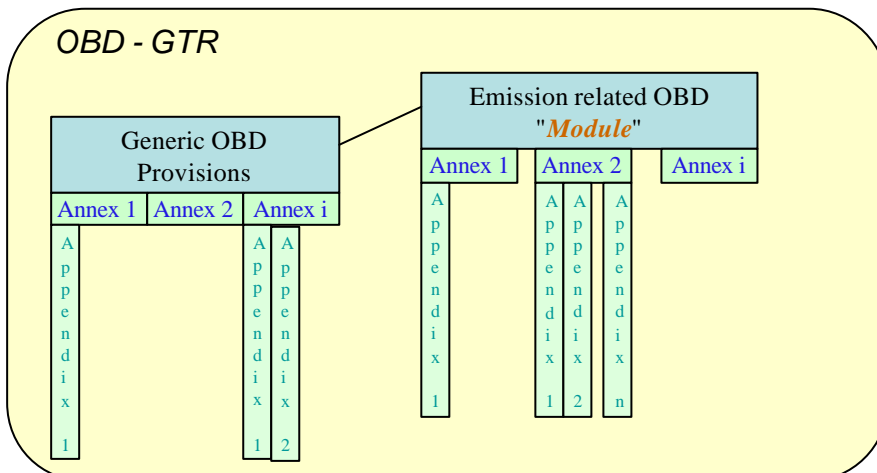
- ☛ Further to AC3 request, GRPE agreed to the following:
 - ☒ The GTR will consist of:
 - a generic core set of requirements and
 - specific modules.
 - ☒ WWH-OBD will draft both the core part and the emission related module.
 - ☒ GRRF, GRSG, and GRSP need to review the content of the generic core part.
 - ☒ WP29/AC3 will be consulted on the best way to involve the other concerned GRs. In the mean time, they will be kept informed by WWH-OBD.



GTR structure - concept



GTR structure - editorial





Content of the generic part – major elements

- Generic definitions
 - OBD
 - Types of malfunctions (functional, electrical, rationality, etc...)

- Generic requirements
 - Indication of a Malfunction (MI)
 - Failure classification (structure)
 - Storage of OBD information (DTC, freeze-frames, etc...)
 - Access to OBD information (com. Protocol, connectors, etc...)
 - Electronic security
 - Documentation requirements



GTR – drafting process

- Information to GRRF, GRSG and GRSP in spring 2005
- Joint informal meeting to finalise the generic part scheduled on Monday morning, 30 May 2005
 - Delegates of GRRF, GRSG, GRSP to be invited
- Complete draft GTR submitted to GRPE on Thursday, 02 June 2005 as informal document
- Comments of GRPE, GRRF, GRSG, and GRSP on the gtr to be provided by [16]* September 2005
- GTR submitted to GRPE as formal document in January 2006

**note: date to be confirmed on 30 May 2005*