



**Economic and Social  
Council**

Distr.  
GENERAL

TRANS/WP.29/2004/17  
2 December 2003

Original: ENGLISH

---

**ECONOMIC COMMISSION FOR EUROPE**

INLAND TRANSPORT COMMITTEE

World Forum for Harmonization of Vehicle Regulations (WP.29)  
(One-hundred-and-thirty-second session,  
9-12 March 2004, agenda item 4.2.16.)

PROPOSAL FOR SUPPLEMENT 3 TO REGULATION No.106

(Agricultural tyres)

Transmitted by the Working Party on Brakes and Running Gear (GRRF)

Note: The text reproduced below was adopted by GRRF at its fifty-fourth session, and is transmitted for consideration to WP.29 and to AC.1. It is based on the text of document TRANS/WP.29/GRRF/2003/24 as amended by TRANS/WP.29/GRRF/54, annex 2.

---

This document is a working document circulated for discussion and comments. The use of this document for other purposes is the entire responsibility of the user.

Documents are also available via the INTERNET:  
<http://www.unece.org/trans/main/welcwp29.htm>

Paragraph 3.1.7., delete the words "or "F-3""

Paragraph 3.1.8., amend to read:

"3.1.8. the inscriptions "LS-1", "LS-2", "LS-3" or "LS-4" in the case of ..."

Paragraph 3.1.11., should be deleted.

Paragraph 3.1.12. (former), renumber as paragraph 3.1.11.

Annex 5,

Table 1, Note 1, amend to read:

"...to the Tyre sidewalls: "F-1" or "F-2".

Table 2 (2 of 3) Drive wheel tyres for agricultural tractors – Normal Section Sizes, for tyre size designation 14.9-20, replace the value "1265" corresponding to the Overall Diameter (D) column, by "1165".

Annex 7, part B, text, delete the words " or F-3".

Annex 10, the table, insert two new rows to read:

"

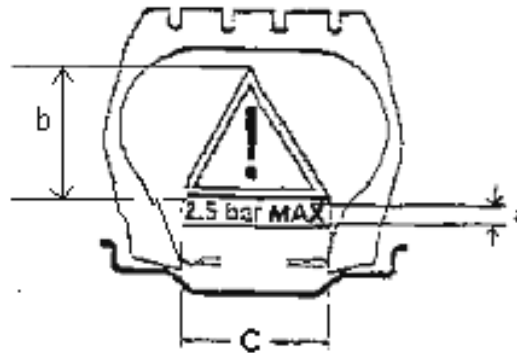
Classification code	Nomenclature
.....	.....
I-6	Agricultural implement tyres : Smooth tread
LS-1	Logging and Forestry Service Tyres : regular tread
LS-2	.....
LS-3	.....
LS-4	Logging and Forestry Service Tyres : shallow tread
.....	.....

"

Annex 11, amend to read:

"Annex 11

EXAMPLE OF THE PICTOGRAM TO BE MARKED ON BOTH TYRE SIDEWALLS  
OF THE TYRES TO EXPLICIT THE MAXIMUM INFLATION PRESSURE  
NOT TO BE EXCEEDED FOR BEAD SEATING DURING TYRE MOUNTING



- a = 2 mm min (height of lettering)
- b = 12 mm min for tyre section height  $\leq$  120 mm  
18 mm min for tyre section height  $>$  120 mm
- c = 14 mm min (width of lettering)

The pictogram must be placed on both sidewalls.

The value of inflation pressure (2.5 bar in the example) must be the same as specified in paragraph 4.1.14. of this Regulation".

---