

**PROPOSAL FOR AMENDMENTS TO REGULATION No. 106**  
(Agricultural tyres)

Transmitted by the Expert from the European Tyre and Rim Technical Organization (ETRTO)

Note: The amendments reproduced below refer to document TRANS/WP.29/GRRF/2003/24.

---

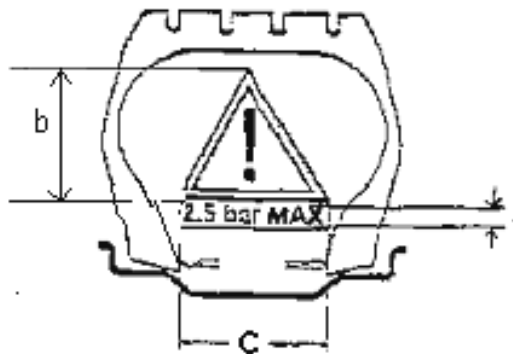
**A. PROPOSAL**

Annex 5, Table 1, Note 1, amend to read:

"...to the Tyre sidewalls: "F – 1" or "F – 2".

Annex 7, part B, text, delete the words " or F-3".

Annex 11, replace the figure by the following:



\* \* \*

**B JUSTIFICATION**

Second alinea, amend to read:

"The corrections of annex 5, Table 2 and annex 7, Part C are due to errors."

---